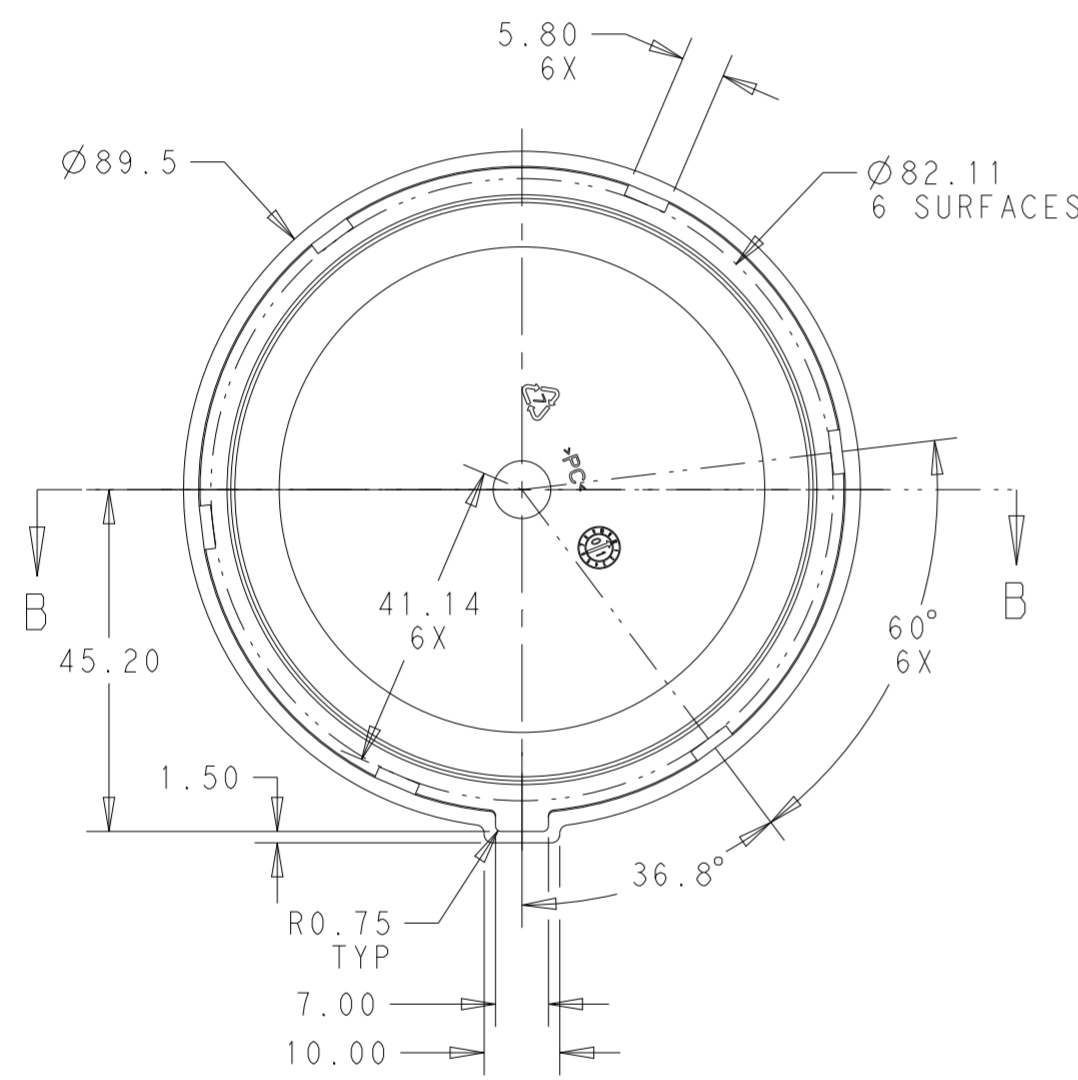
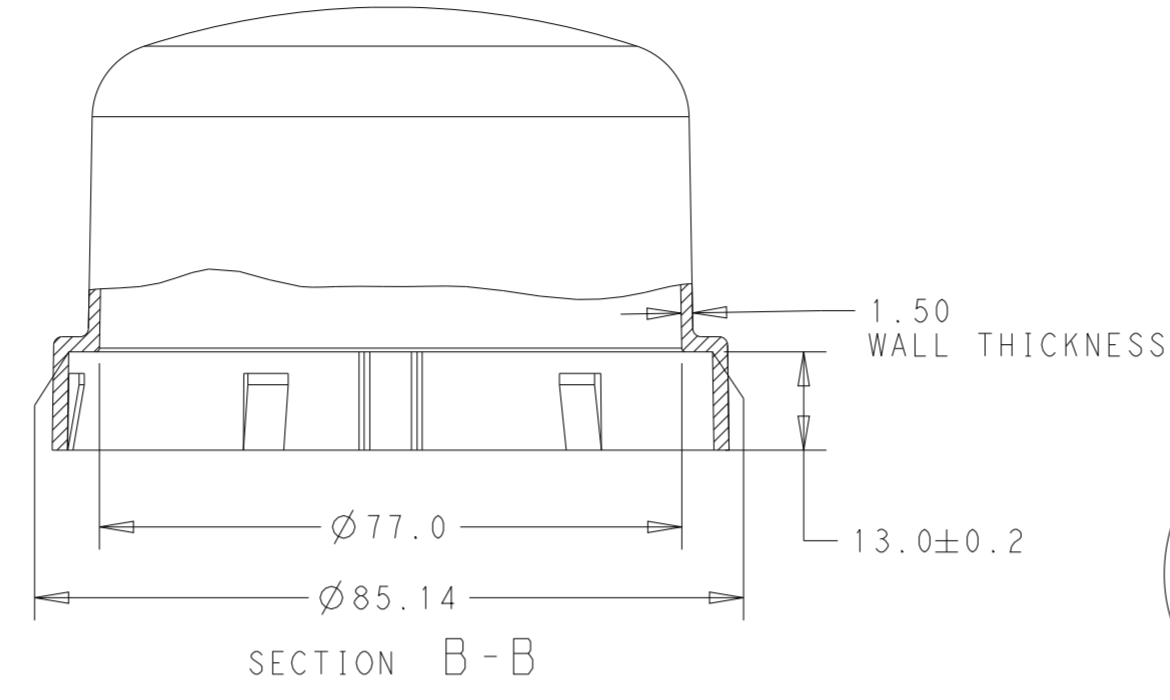
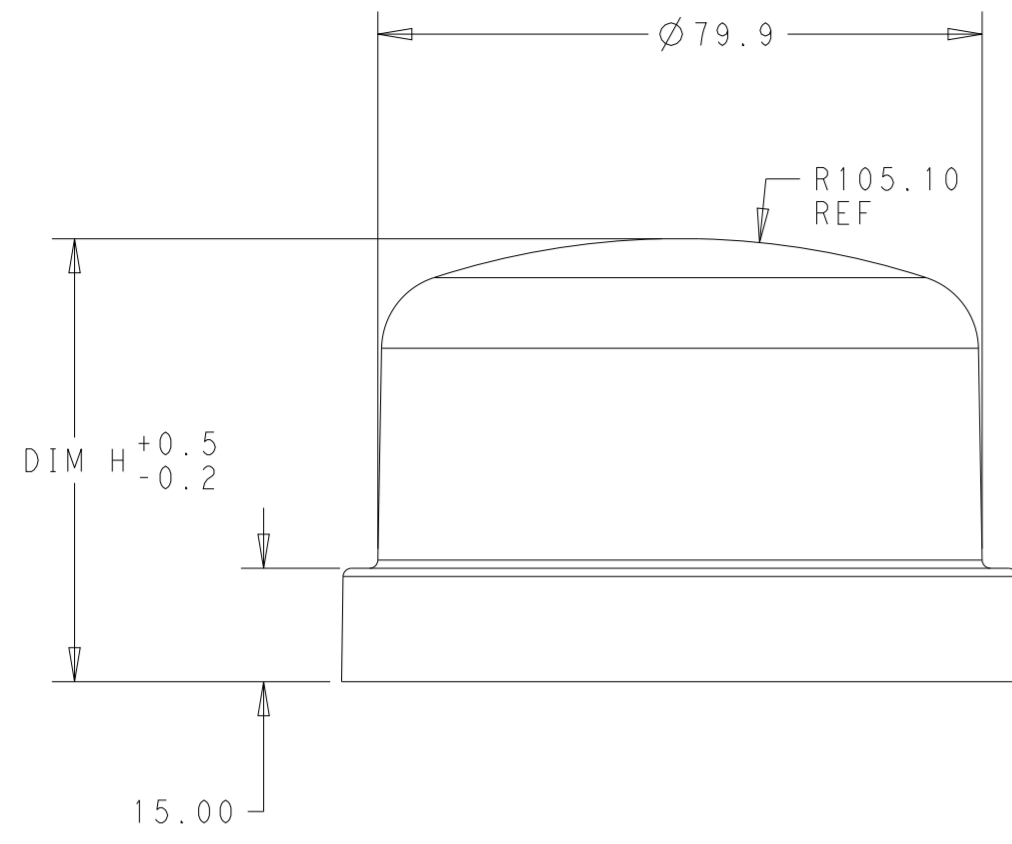
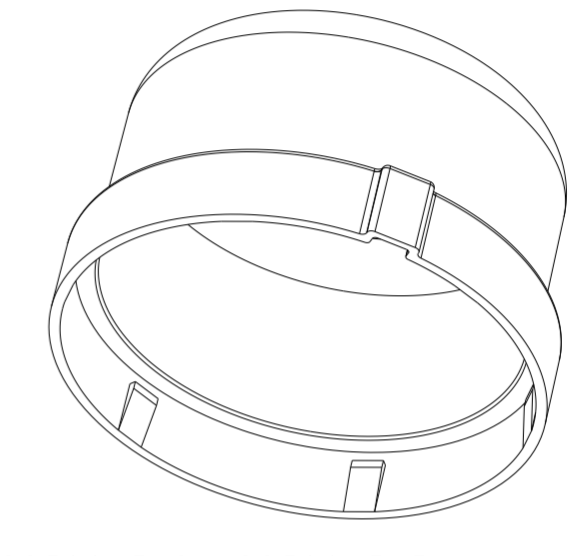
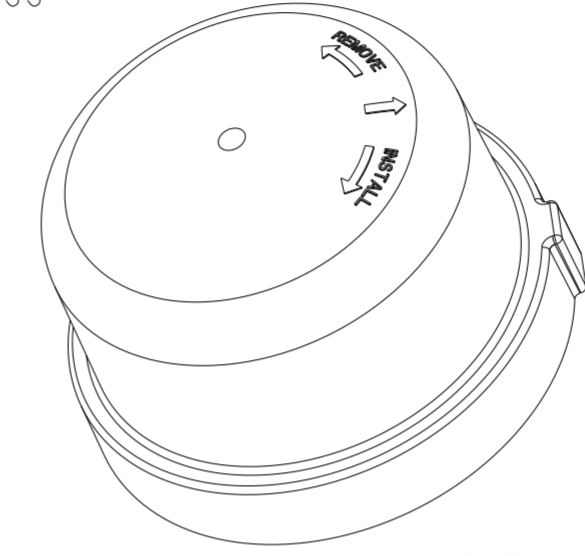


P	LTR	DESCRIPTION	DATE	DWN	APVD
4		UPDATED PRODUCT NAME	28OCT2020	JL	MM
5		UPDATE TABLE FOR TALL DOME HT	06JUL2021	CD	CD
6		ADDED 1-2359615-1 TO TABLE	19JUL2021	CD	MM
7		ADDED TOLERANCE TO DIM H	12NOV2021	CD	CD

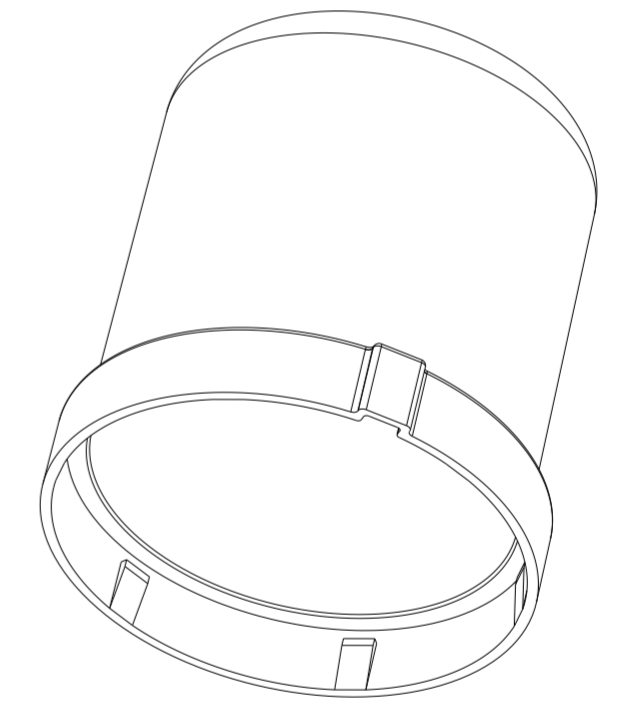
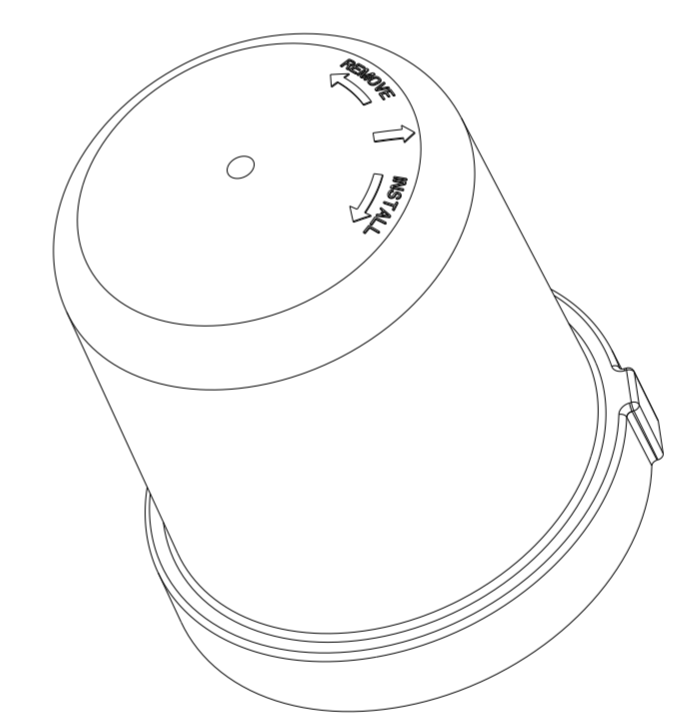


NOTES:

- 1 MATERIALS:
HOUSING: POLYCARBONATE, UL 94V-0 RATED
COLOR: SEE TABLE
- 2 MATING BASE TE P/N: 2359482-X.
- 3. THIS PRODUCT HAS NOT COMPLETED VALIDATION TESTING.



2359615-1, 2359615-2, 2359615-5
SHOWN



2359615-3, 2359615-4, 2359615-6
SHOWN

58.6	BLUE	1-2359615-1
98.0	CLEAR	2359615-6
58.6	CLEAR	2359615-5
98.0	LIGHT GRAY	2359615-4
98.0	SMOKE GRAY	2359615-3
58.6	LIGHT GRAY	2359615-2
58.6	SMOKE GRAY	2359615-1
DIM H	COLOR	PART NO.

THIS DRAWING IS A CONTROLLED DOCUMENT.		DWN C. DAILY 18JUL2019	TE Connectivity	
		CHK J. LATORRE 18JUL2019		
DIMENSIONS:	TOLERANCES UNLESS OTHERWISE SPECIFIED:	APVD	NAME	
mm	0 PLC ± 1 PLC ±0.2 2 PLC ±0.13 3 PLC ± 4 PLC ± ANGLES ±1° FINISH -	-	COVER PHOTOCELL, LUMAWISE ENDURANCE N+	
		PRODUCT SPEC	SIZE	CAGE CODE
		108-32606	A2	-
		APPLICATION SPEC	DRAWING NO	RESTRICTED TO
		114-32363	C-2359615	-
MATERIAL		WEIGHT	SCALE	SHEET
1		-	1:1	1 OF 1
		CUSTOMER DRAWING	REV	7