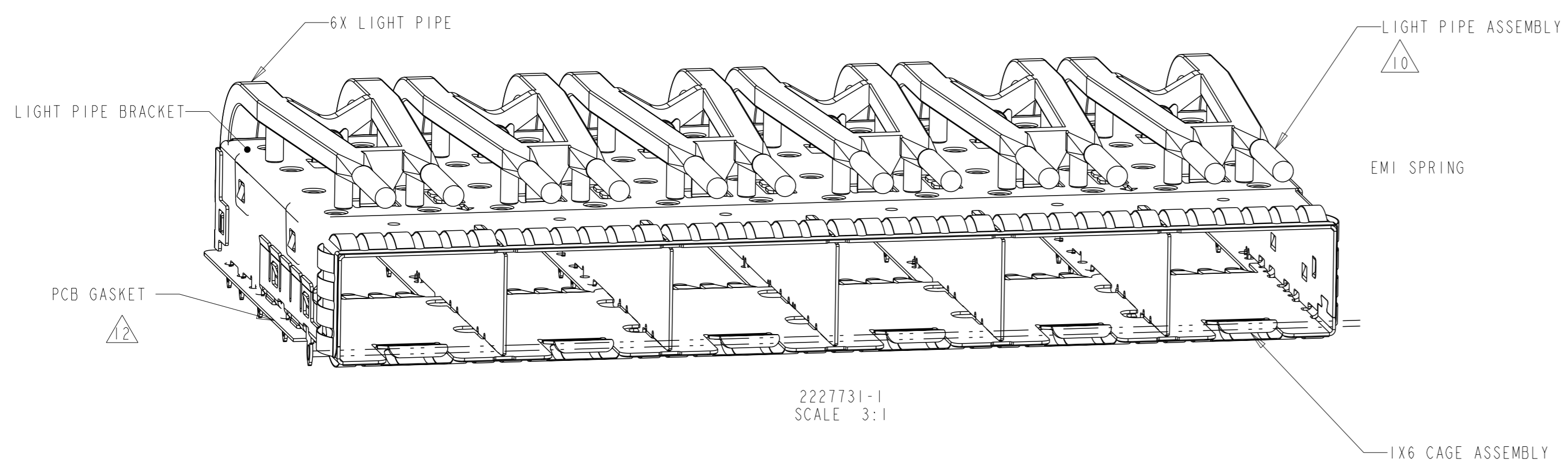
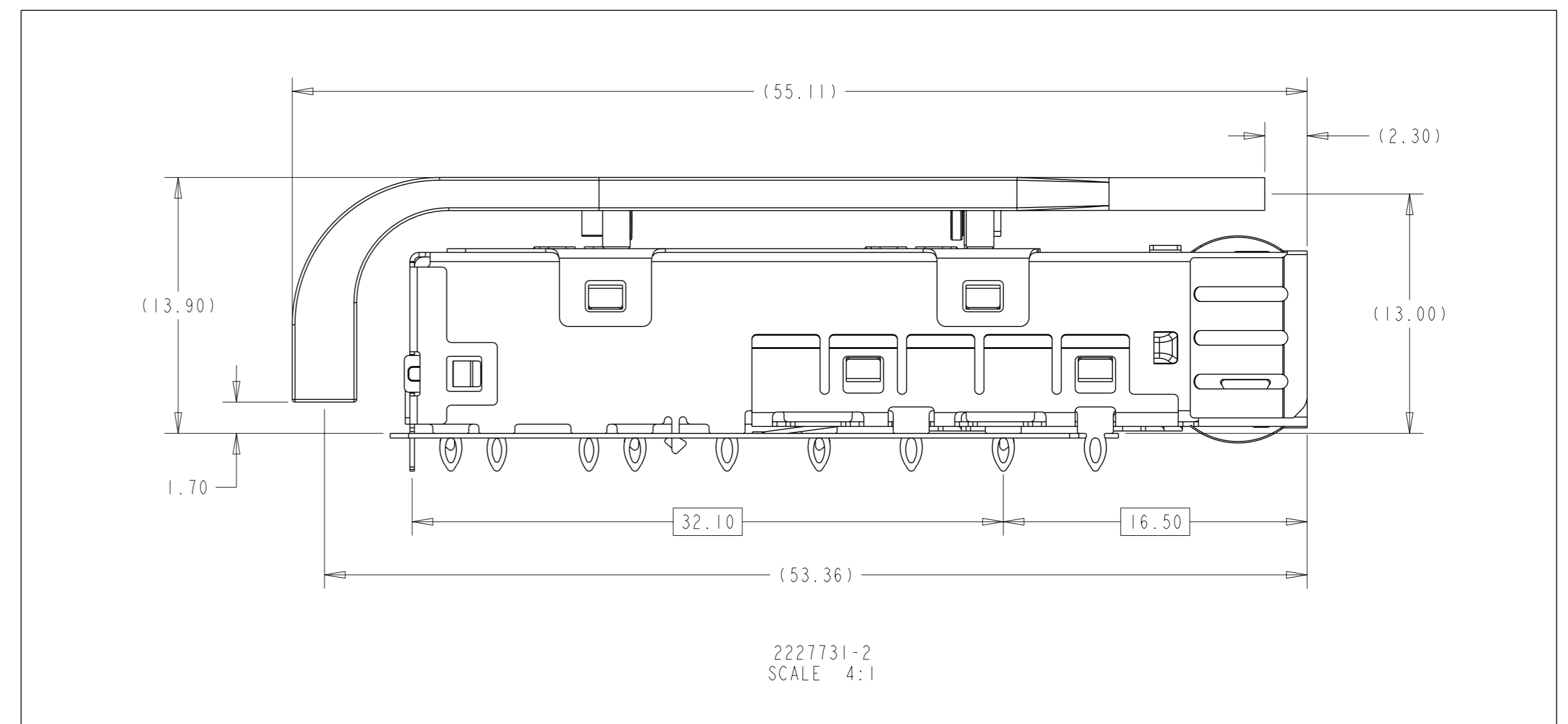
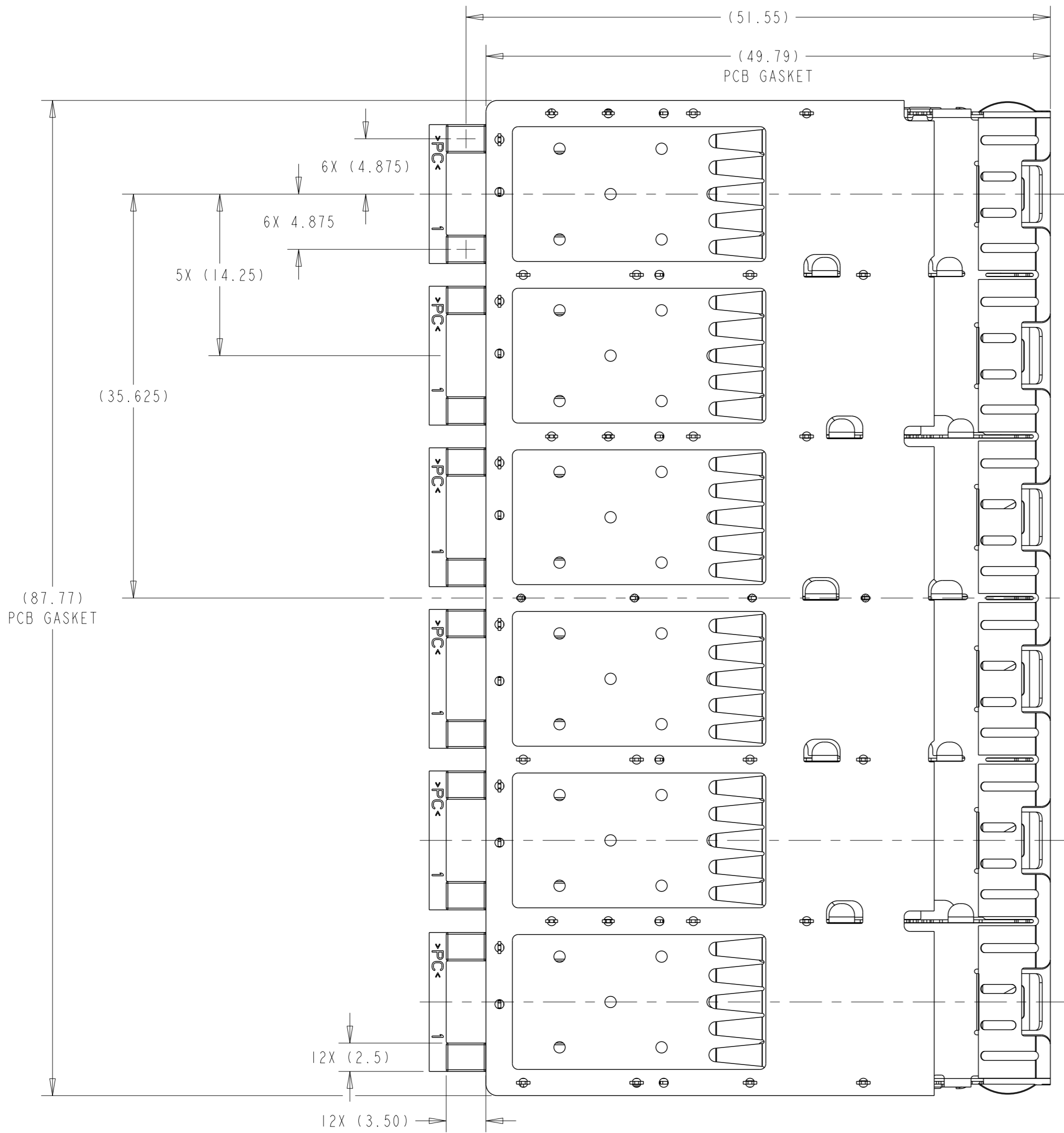
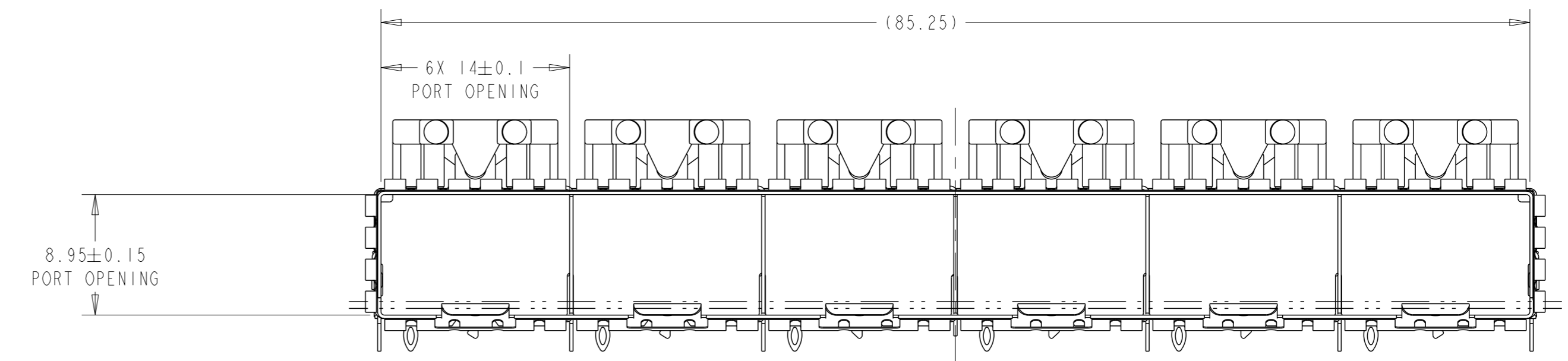
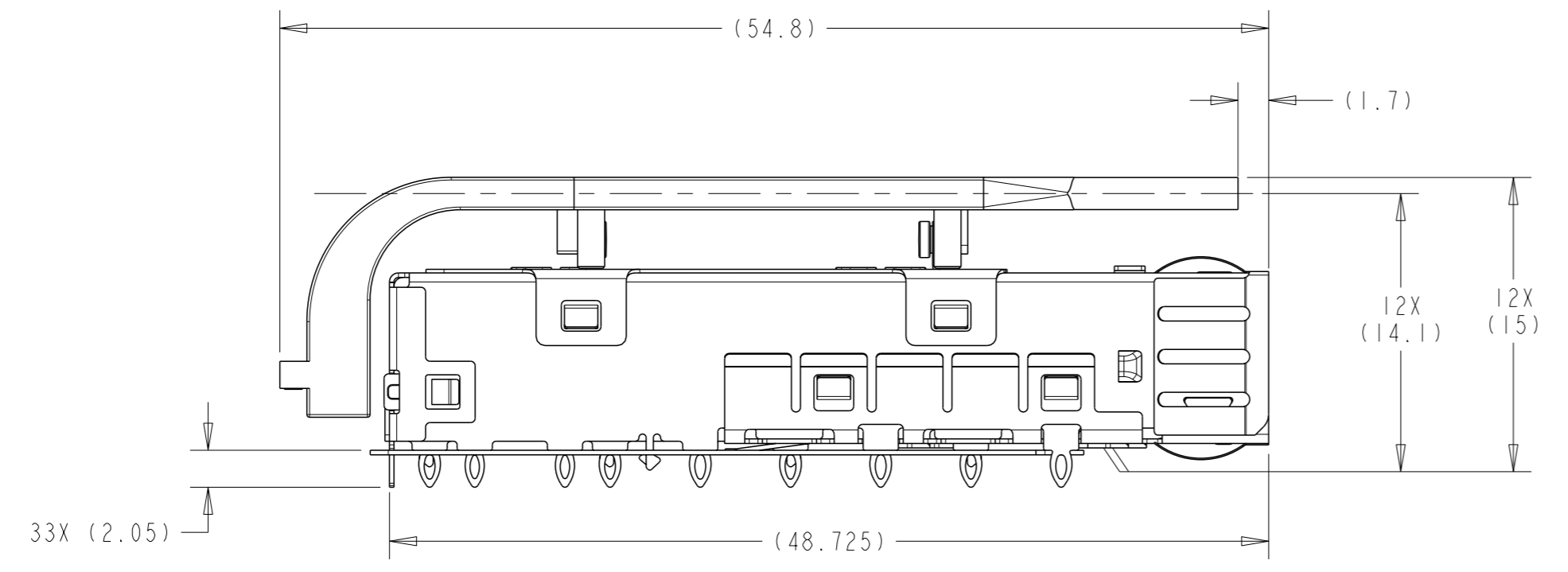


| LOC |     | DIST                      |           | REVISIONS |      |  |  |
|-----|-----|---------------------------|-----------|-----------|------|--|--|
| P   | LY# | DESCRIPTION               | DATE      | OWN       | APVD |  |  |
| A   |     | REVISED PER ECO-15-002647 | 06MAR2015 | AP        | MS   |  |  |
| B   |     | REVISED PER ECO-15-007912 | 29MAY2015 | PP        | SH   |  |  |
| B1  |     | REVISED PER ECO-16-014593 | 13FEB2017 | JW        | SH   |  |  |
| B2  |     | REVISED PER ECR-18-014006 | 04SEP2018 | IT        | SH   |  |  |

- 1 MATERIAL:  
CAGE ASSEMBLY: NICKEL SILVER ALLOY, (0.25mm)  
PCB GASKET: RF ABSORBER  
EMI SPRINGS: PHOSPHOR BRONZE  
LIGHT PIPE BRACKET: STAINLESS STEEL  
LIGHT PIPE: POLYCARBONATE, CLEAR
- 2 MINIMUM PC BOARD THICKNESS:  
SINGLE SIDE = 1.45mm  
BELLY TO BELLY = 2.25mm
- 3 PADS AND VIAS CHASSIS GROUND
- 4 DATUM AND BASIC DIMENSION ESTABLISHED BY CUSTOMER
- 5 MATES WITH SFP MSA COMPLIANT TRANSCEIVERS
- 6 INTERPRETATION OF DATUM REFERENCE FRAME IN ACCORDANCE WITH SECT 4.4.1.1 OF ASME Y14.5M-1994
- 7 REFERENCE APPLICATION SPEC. 114-13120, HOLE A, FOR RECOMMENDED DRILL HOLE DIAMETER AND PLATING THICKNESS
- 8 REFERENCE APPLICATION SPEC. 114-13120, HOLE B, FOR RECOMMENDED DRILL HOLE DIAMETER AND PLATING THICKNESS
- 9 HOLE PATTERN REPEATS FOR EACH PORT, SPACING BETWEEN PORTS IS 14.25mm
- 10 LIGHT PIPE ASSEMBLY SHIPPED UNASSEMBLED TO CAGE ASSEMBLY, CAGE ASSEMBLY TO BE PRESSED INTO THE PCB PRIOR TO ATTACHING LIGHT PIPE ASSEMBLY TO CAGE
- 11 PRODUCT COMPLIES WITH SPECIFICATION SFF-8433, IMPROVED PLUGGABLE FORM FACTOR FOR SFP+ GANGED CAGES
- 12 CONTACT STANDOFF WILL PIERCE GASKET WHEN PROPERLY PRESSED INTO PCB.



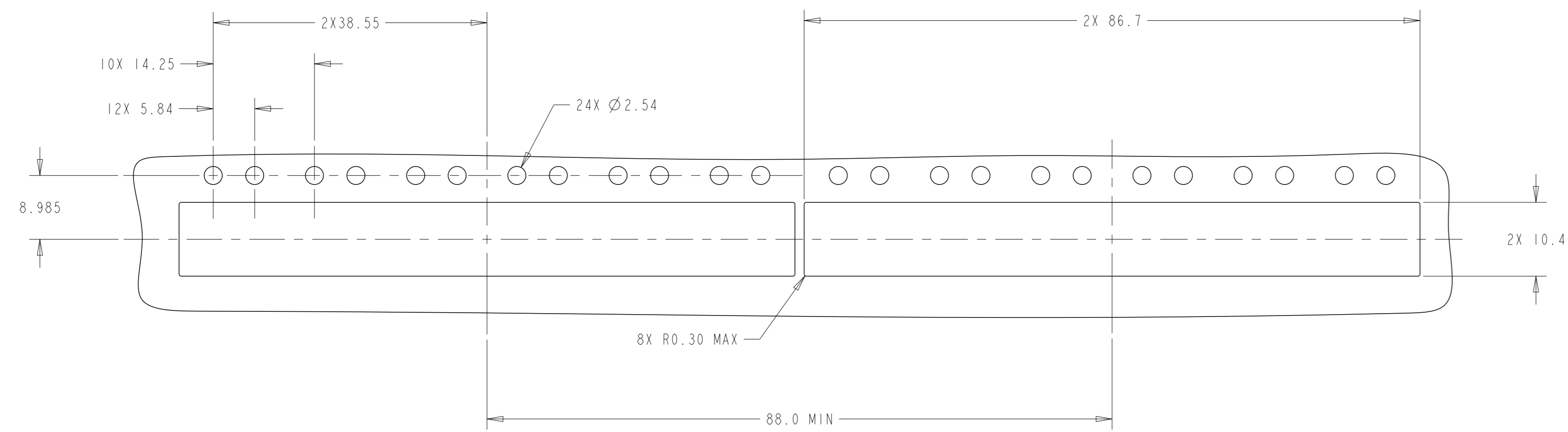
2227731-1  
SCALE 3:1



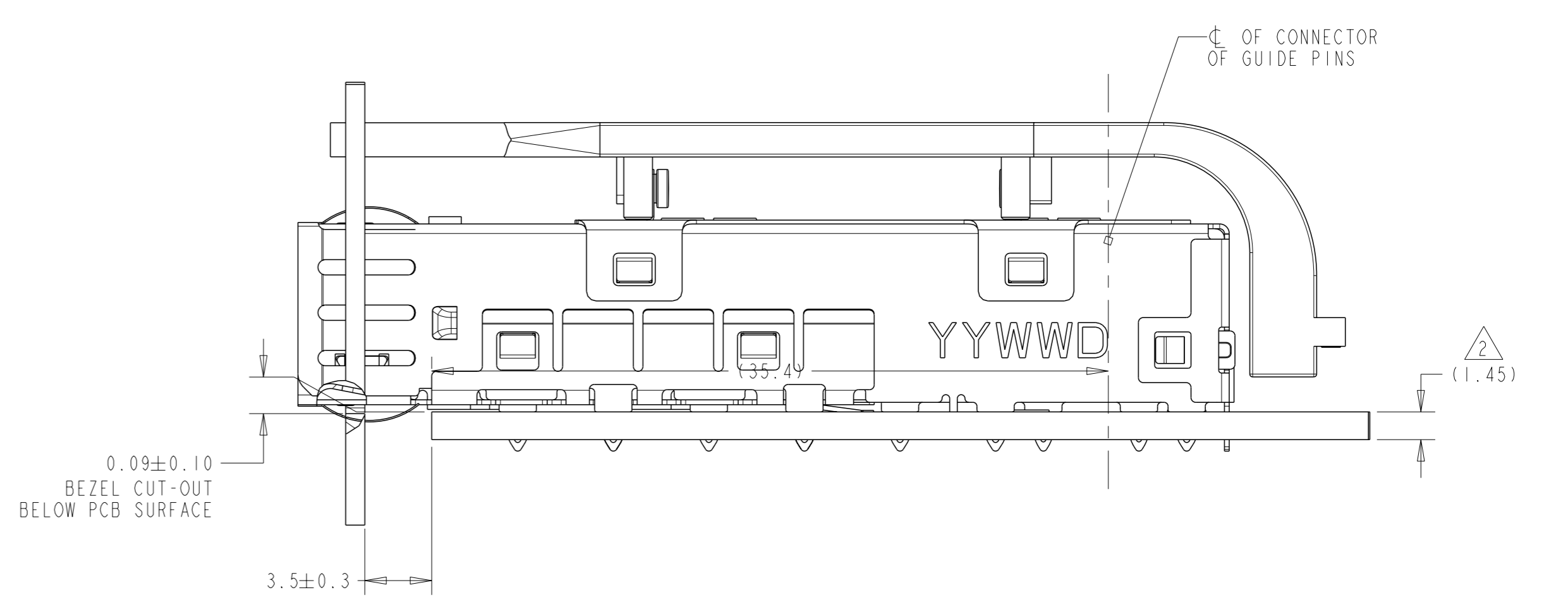
2227731-2  
2227731-1  
PART NUMBER

|  |   |  |   |
|--|---|--|---|
| THIS DRAWING IS A CONTROLLED DOCUMENT. DIMENSIONING AND TOLERANCING PER ASME Y14.5M-2009 |   | OWN: C. VALENTINE 08MAR2013<br>CHK: M. PHILLIPS 08MAR2013<br>APVD: M. PHILLIPS 08MAR2013 | TE Connectivity<br><b>NAME</b> CAGE ASSEMBLY WITH LIGHT PIPES, PRESS-FIT, EMI SPRINGS, 1X6, zSFP+<br><b>PRODUCT SPEC</b><br><b>APPLICATION SPEC</b><br><b>SIZE</b> CAGE CODE DRAWING NO<br><b>RESTRICTED TO</b> |
| <b>DIMENSIONS:</b><br>mm<br><br><b>MATERIAL</b> SEE NOTES<br><b>FINISH</b> SEE NOTES     | <b>TOLERANCES UNLESS OTHERWISE SPECIFIED:</b><br>0 PLC ±0.1<br>1 PLC ±0.1<br>2 PLC ±0.08<br>3 PLC ±0.05<br>4 PLC ±<br>ANGLES ±° | <b>WEIGHT</b><br>Customer Drawing<br>SCALE 3:1 SHEET 1 OF 4 REV B2                       |   |

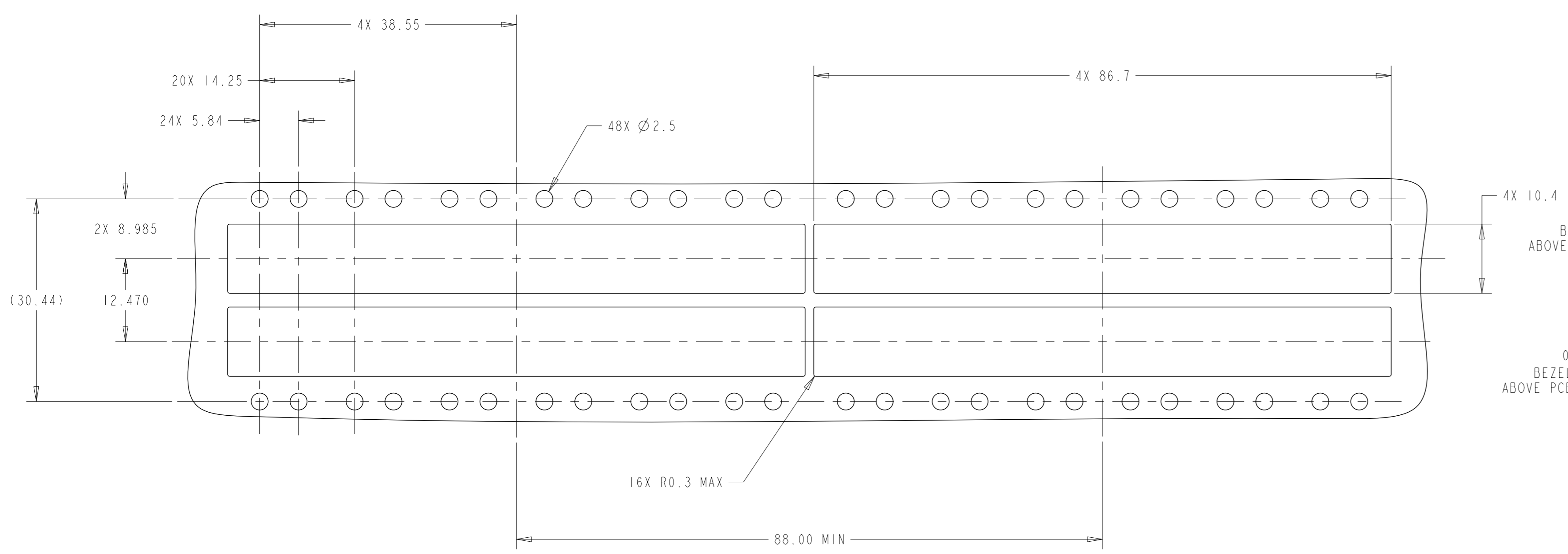
| LOC | DIST | REVISIONS |     |             |      |     |      |
|-----|------|-----------|-----|-------------|------|-----|------|
| GP  | 00   | P         | LYR | DESCRIPTION | DATE | OWN | APVD |
|     |      | -         |     | SEE SHEET 1 |      |     |      |



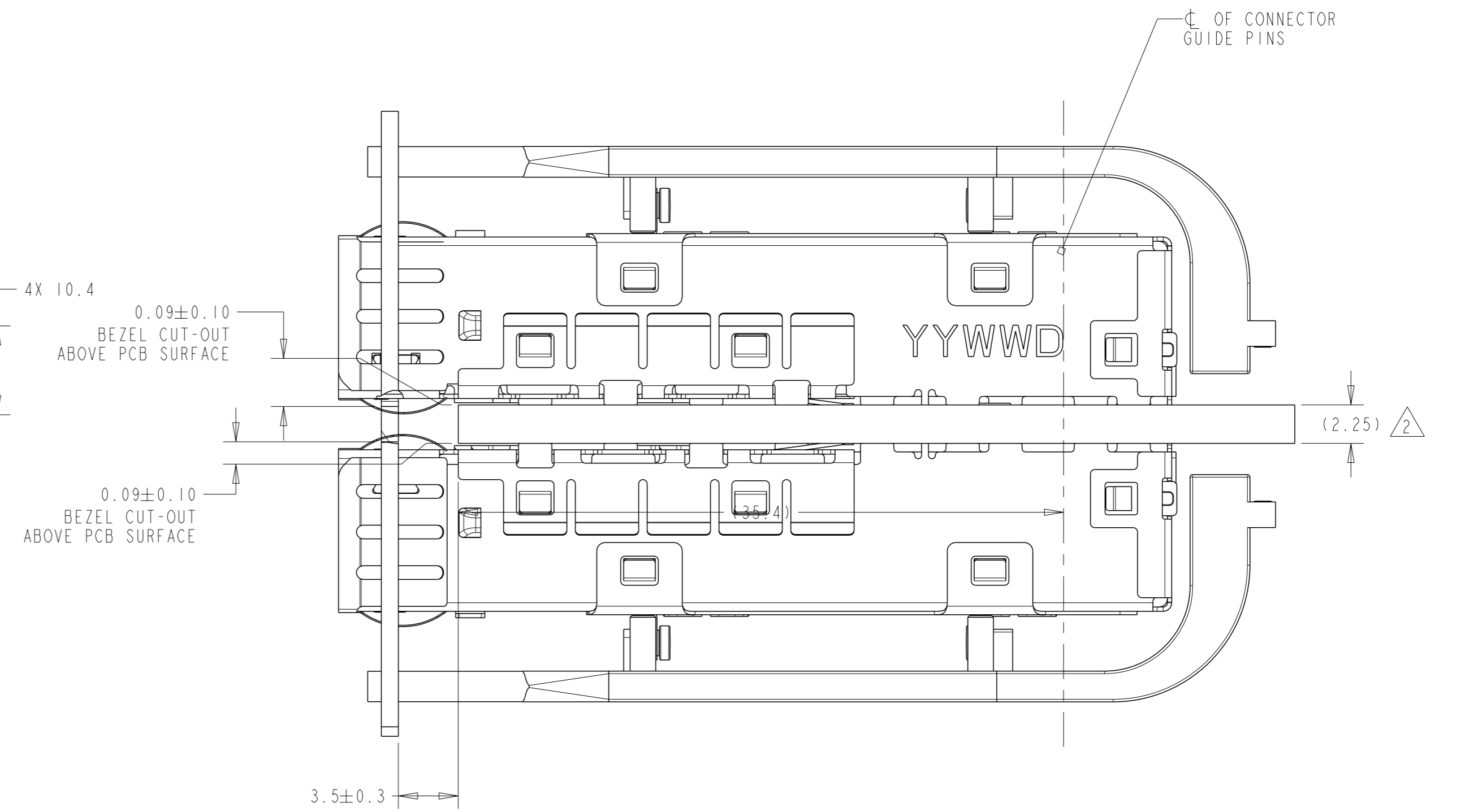
RECOMMENDED BEZEL OPENING  
 SINGLE SIDED APPLICATIONS  
 SCALE 2:1



MOUNTED ON PC BOARD  
 SHOWN THRU RECOMMENDED BEZEL  
 SCALE 4:1



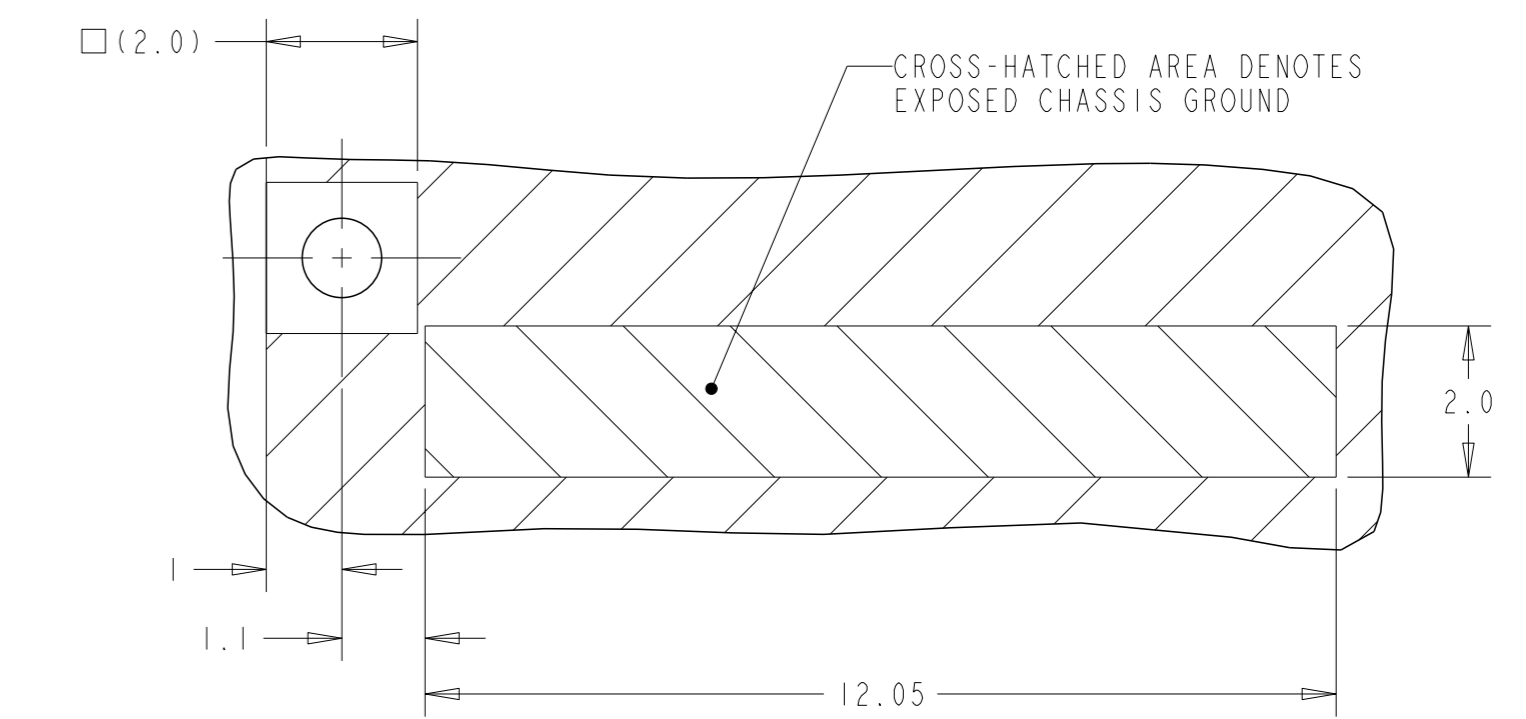
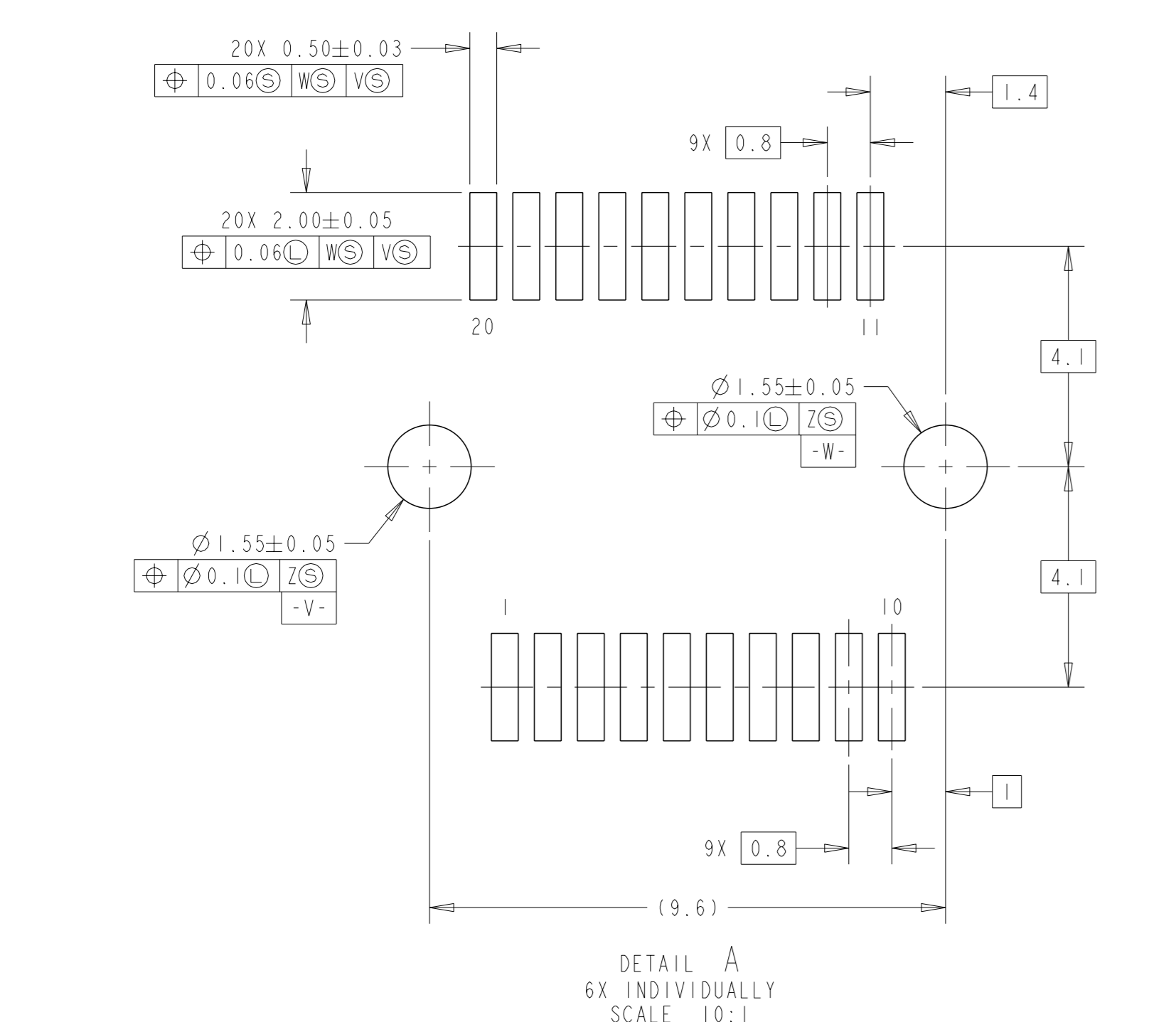
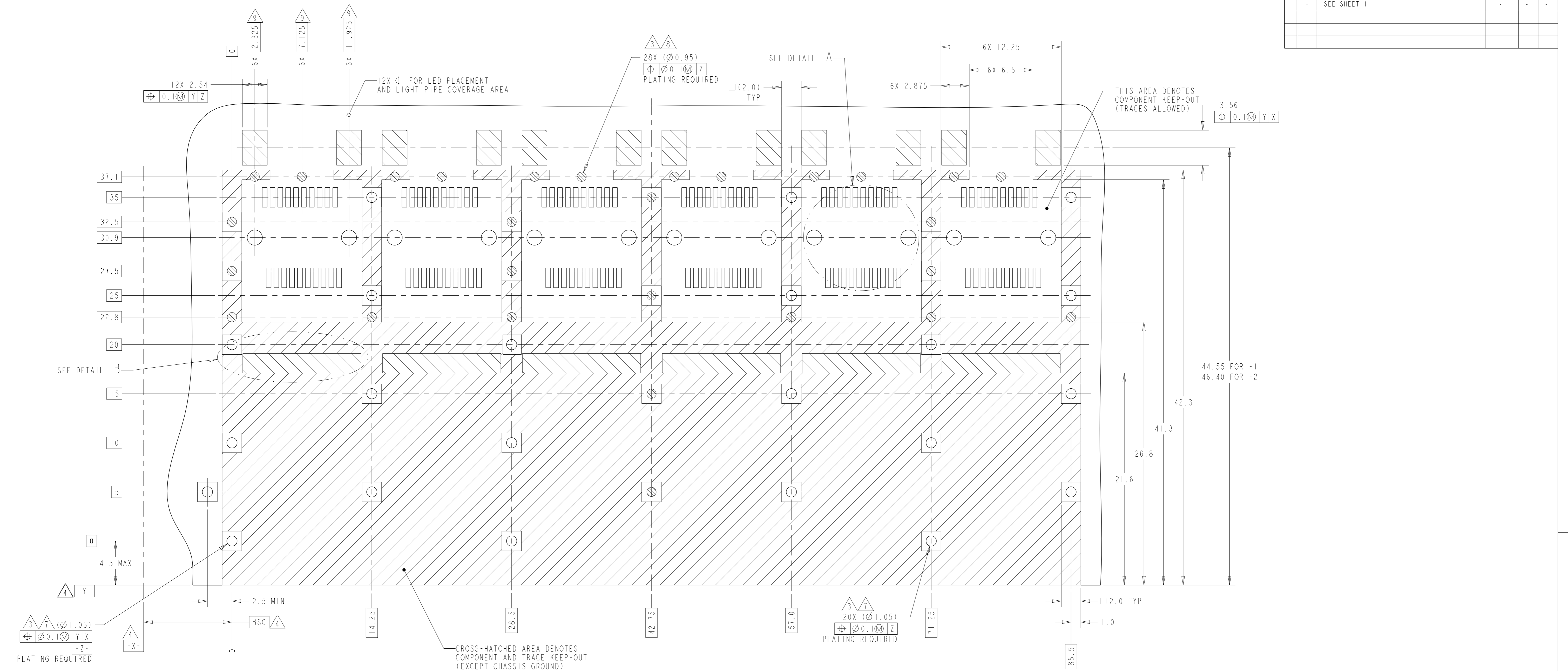
RECOMMENDED BEZEL OPENING  
 BELLY TO BELLY APPLICATION  
 SCALE 2:1



MOUNTED BELLY TO BELLY ON PC BOARD  
 SHOWN THRU RECOMMENDED BEZEL  
 SCALE 4:1

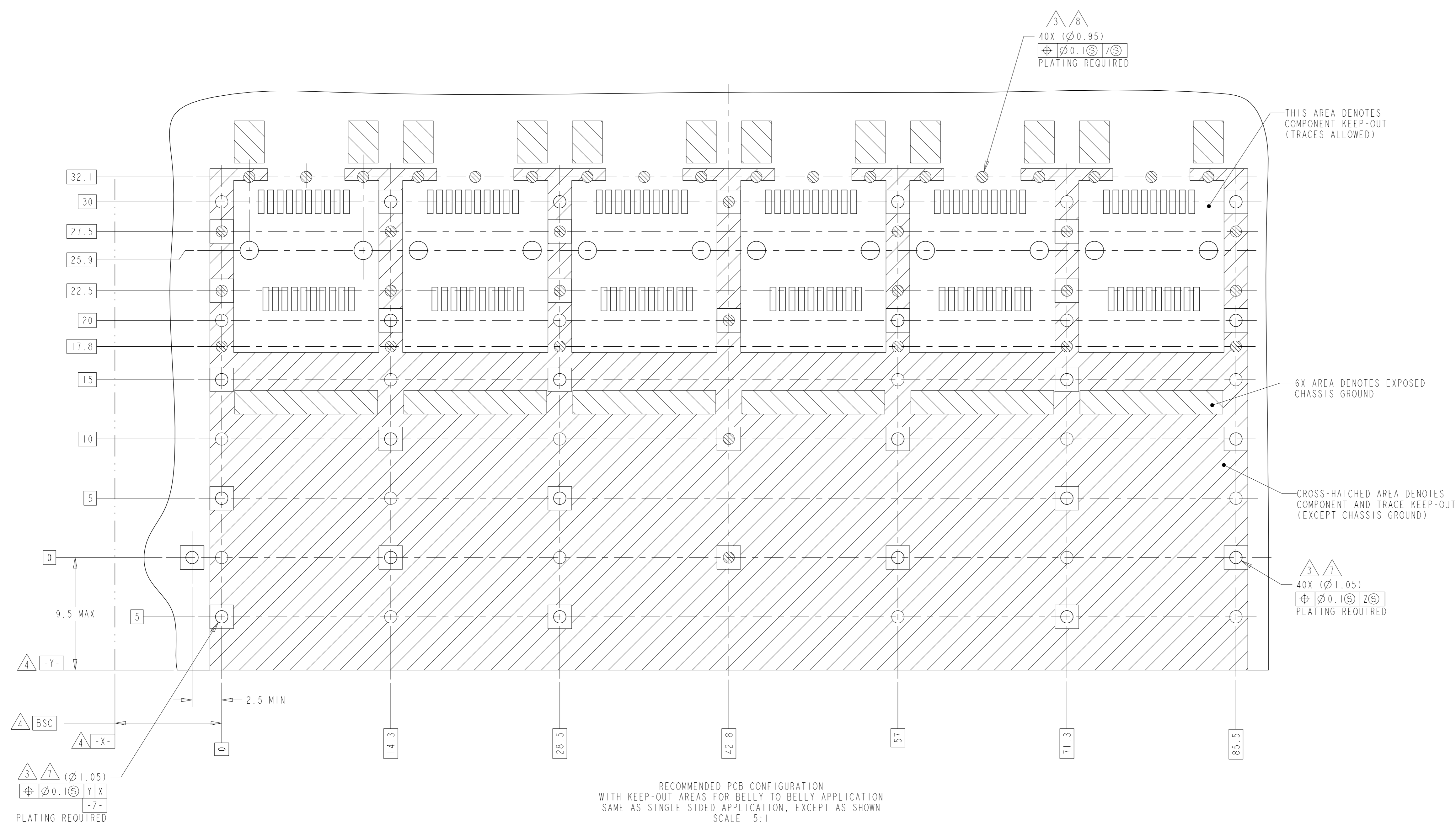
|  |             |                             |  |
|--|-------------|-----------------------------|--|
| THIS DRAWING IS A CONTROLLED DOCUMENT. DIMENSIONING AND TOLERANCING PER ASME Y14.5M-2009 |             | OWN: C. VALENTINE 08MAR2013 | TE Connectivity  |
| DIMENSIONS: mm   |             | CHK: M. PHILLIPS 08MAR2013  |  |
| TOLERANCES UNLESS OTHERWISE SPECIFIED:   |             | APVD: M. PHILLIPS 08MAR2013 | NAME: CAGE ASSEMBLY WITH LIGHT PIPES, PRESS-FIT, EMI SPRINGS, 1X6, zSFP+ |
| 0 PLC ±0.1   | 1 PLC ±0.1  | PRODUCT SPEC                | SIZE: A1   |
| 2 PLC ±0.08  | 3 PLC ±0.05 | APPLICATION SPEC            | CAGE CODE: 00779   |
| 4 PLC ±*   | ANGLES ±*   | FINISH ±*                   | DRAWING NO: 2227731  |
| MATERIAL: SEE NOTES  | WEIGHT: -   | Customer Drawing            | SCALE: 4:1   |
|  |             | SHEET 2 OF 4                |  |
|  |             | REV B2                      |  |

| LOC | DIST | REVISIONS |     |             |      |     |      |
|-----|------|-----------|-----|-------------|------|-----|------|
| GP  | 00   | P         | LYR | DESCRIPTION | DATE | OWN | APVD |
|     |      | -         | -   | SEE SHEET 1 | -    | -   | -    |



|  |  |                             |  |
|--|--|-----------------------------|--|
| THIS DRAWING IS A CONTROLLED DOCUMENT. DIMENSIONING AND TOLERANCING PER ASME Y14.5M-2009 |  | OWN: C. VALENTINE 08MAR2013 | <br>TE Connectivity  |
| DIMENSIONS: mm   |  | CHK: M. PHILLIPS 08MAR2013  |  |
| TOLERANCES UNLESS OTHERWISE SPECIFIED:   |  | APVD: M. PHILLIPS 08MAR2013 | NAME: CAGE ASSEMBLY WITH LIGHT PIPES, PRESS-FIT, EMI SPRINGS, 1X6, zSFP+ |
| 0 PLC ±0.1<br>1 PLC ±0.1<br>2 PLC ±0.08<br>3 PLC ±0.05<br>4 PLC ±*<br>ANGLES FINISH ±*   |  | PRODUCT SPEC                |  |
| MATERIAL: SEE NOTES  |  | APPLICATION SPEC            | RESTRICTED TO  |
| FINISH: SEE NOTES  |  | WEIGHT: -                   | SIZE: A1   |
| Customer Drawing   |  | CAGE CODE: 00779            | DRAWING NO: 2227731  |
| SCALE: 4:1   |  | SHEET: 3                    | OF 4   |
|  |  | REV: B2                     |  |

| LOC | DIST | REVISIONS |     |             |      |     |      |
|-----|------|-----------|-----|-------------|------|-----|------|
| GP  | 00   | P         | LYR | DESCRIPTION | DATE | OWN | APVD |
|     |      | -         |     | SEE SHEET 1 | -    | -   | -    |
|     |      |           |     |             |      |     |      |
|     |      |           |     |             |      |     |      |



RECOMMENDED PCB CONFIGURATION  
 WITH KEEP-OUT AREAS FOR BELLY TO BELLY APPLICATION  
 SAME AS SINGLE SIDED APPLICATION, EXCEPT AS SHOWN  
 SCALE 5:1

|   |  |                             |  |
|---|--|-----------------------------|--|
| THIS DRAWING IS A CONTROLLED DOCUMENT. DIMENSIONING AND TOLERANCING PER ASME Y14.5M 2009  |  | OWN: C. VALENTINE 08MAR2013 | TE Connectivity  |
| DIMENSIONS: mm  |  | CHK: M. PHILLIPS 08MAR2013  |  |
| TOLERANCES UNLESS OTHERWISE SPECIFIED:<br>0 PLC ±0.1<br>1 PLC ±0.1<br>2 PLC ±0.08<br>3 PLC ±0.05<br>4 PLC ±<br>ANGLES FINISH ±° |  | APVD: M. PHILLIPS 08MAR2013 | NAME: CAGE ASSEMBLY WITH LIGHT PIPES, PRESS-FIT, EMI SPRINGS, 1X6, zSFP+ |
| MATERIAL: SEE NOTES   |  | WEIGHT: -                   | RESTRICTED TO: -   |
| FINISH: SEE NOTES   |  | Customer Drawing            | SCALE: 4:1 SHEET 4 OF 4 REV: B2  |