

## Crimp contact - CK4,0-ED-10,00BU AG - 1586183

Please be informed that the data shown in this PDF Document is generated from our Online Catalog. Please find the complete data in the user's documentation. Our General Terms of Use for Downloads are valid (<http://phoenixcontact.com/download>)




Turned 4.0 crimp contact, single socket contact, 10 mm<sup>2</sup> conductor cross section, silver-plated



COMPLIANT

### Key Commercial Data

Packing unit	25 pc
Minimum order quantity	25 pc
GTIN	 4 046356 359597
GTIN	4046356359597

### Technical data

#### Ambient conditions

Ambient temperature (operation)	-40 °C ... 125 °C
---------------------------------	-------------------

#### Mechanical characteristics

Conductor cross section	10 mm <sup>2</sup> ... 10 mm <sup>2</sup>
Connection cross section AWG	8
Stripping length of the individual wire	18 mm (For wire Ø ≥ 6.4 mm) 15 mm (For wire Ø ≥ 4.3 mm)
Contact diameter	4 mm
Insertion/withdrawal cycles	≥ 500

#### General

Note	for HC-M-02 modules
Type	Individual female contact
Series	HC-M-03
Connection method	Crimp connection
Contact type	turned

#### Material data

## Crimp contact - CK4,0-ED-10,00BU AG - 1586183

### Technical data

#### Material data

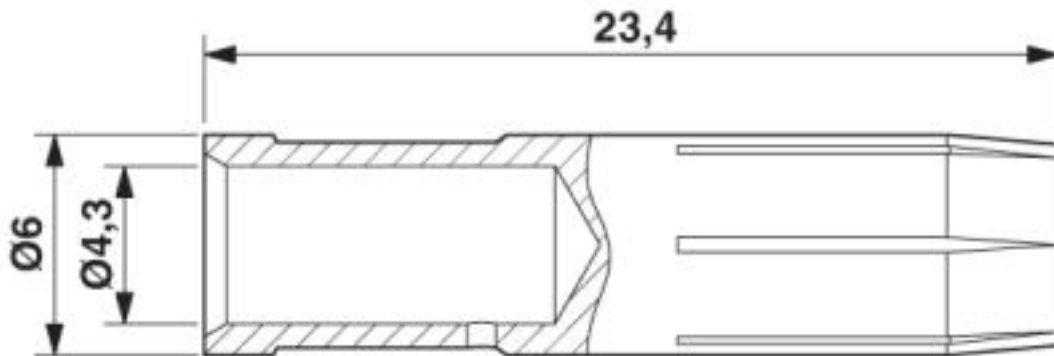
Contact material	Copper alloy
Contact surface material	silver-plated

#### Environmental Product Compliance

REACH SVHC	Lead 7439-92-1
China RoHS	Environmentally Friendly Use Period = 50
	For details about hazardous substances go to tab "Downloads", Category "Manufacturer's declaration"

### Drawings

Dimensional drawing



Phoenix Contact 2019 © - all rights reserved  
<http://www.phoenixcontact.com>

PHOENIX CONTACT GmbH & Co. KG  
Flachsmarktstr. 8  
32825 Blomberg  
Germany  
Tel. +49 5235 300  
Fax +49 5235 3 41200  
<http://www.phoenixcontact.com>