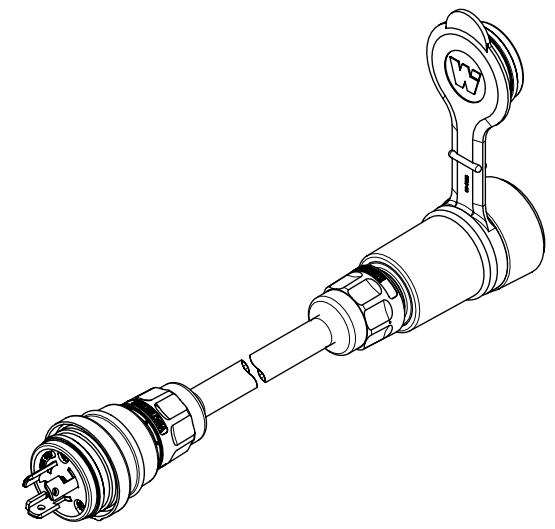
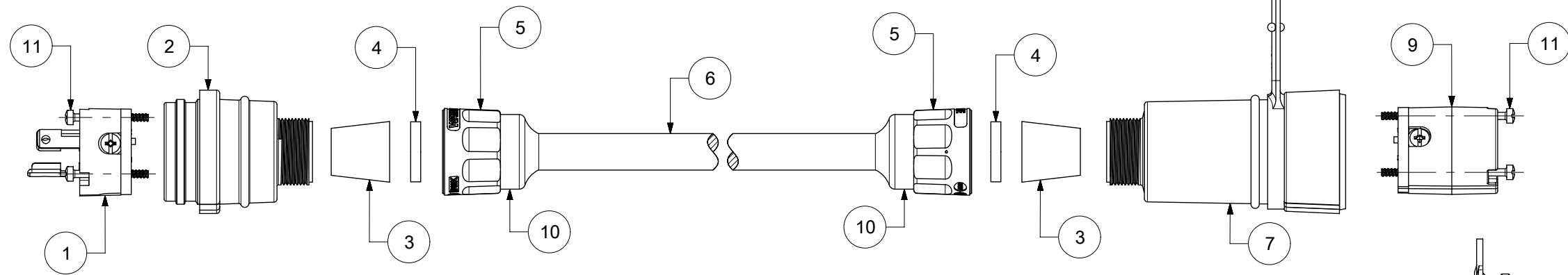
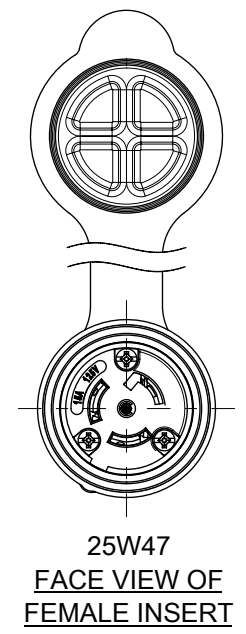
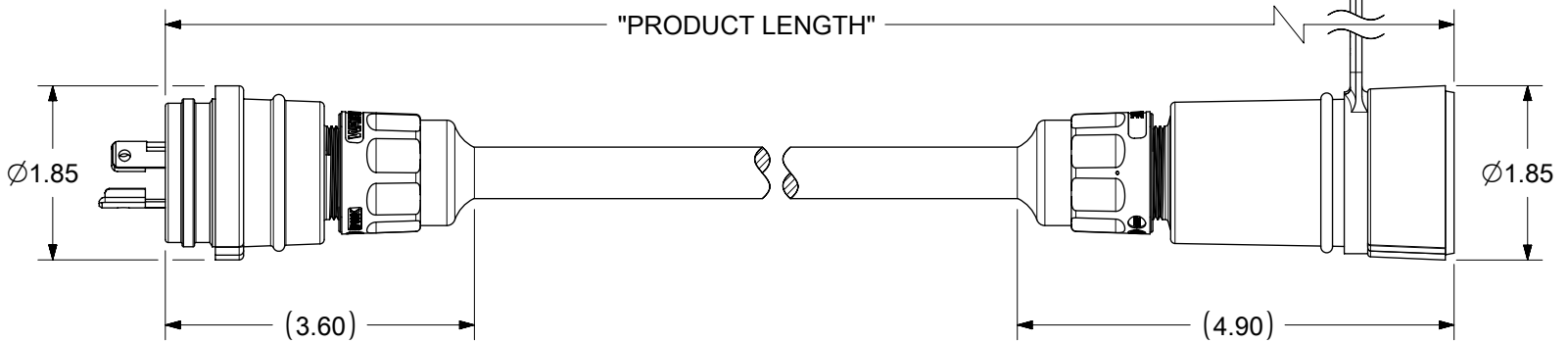
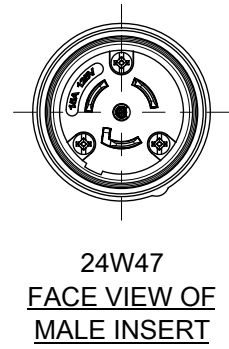


MATERIAL NO.	ENGINEERING NO.	DESCRIPTION	PRODUCT LENGTH
1301430187	24W47A143	24W47 W25FT 14-3-SO 25W47	25 FT +12.0/-0.0 IN
1301430189	24W47A163	24W47 W25FT 16-3-SO 25W47	25 FT +12.0/-0.0 IN
1301430190	24W47B123	24W47 W/50FT 12-3SO 25W47	50 FT +24.0/-0.0 IN
1301430191	24W47B143	24W47 W50FT 14-3-SO 25W47	50 FT +24.0/-0.0 IN
1301430193	24W47B163	24W47 W50FT 16-3-SO 25W47	50 FT +24.0/-0.0 IN
1301430195	24W47D143	24W47 W100FT 14-3SO 25W47	100 FT +24.0/-0.0 IN
1301430196	24W47D163	24W47 W/100FT 16/3 SOW25W47	100 FT +24.0/-0.0 IN
1301430368	26W47L143	24W47 W/6FT 14-3 SO & 25W47	6 FT +9.0/-0.0 IN
1301430369	130143-0369	24W47 W/18FT 14-3-SO & 25W47	18 FT +12.0/-0.0 IN

NEMA L5-15; 15A 125V; 2-POLE/3-WIRE



ITEM NO.	DESCRIPTION	MATERIAL	QTY.
1	MALE INSERT ASSY.	NYLON, POLYCARBONATE, BRASS PLATING - NICKEL OR ZINC	1
2	WATERTITE - MALE HUSK	SILICONE	1
3	GROMMET	RUBBER	2
4	FRICITION RING	NYLON	2
5	COMPRESSION NUT YELLOW	NYLON	2
6	YELLOW SOOW CORD	COPPER WIRE	1
7	WATERTITE - FEMALE HUSK	SILICONE	1
8	CLOSURE CAP YELLOW	SILICONE	1
9	FEMALE INSERT ASSY.	NYLON, POLYCARBONATE, BRASS PLATING - NICKEL OR ZINC	1
10	CABLE GLOVE	SILICONE	2
11	RETAINING SCREW	STAINLESS STEEL	6



SYMBOLS		THIS DRAWING CONTAINS INFORMATION THAT IS PROPRIETARY TO MOLEX ELECTRONIC TECHNOLOGIES, LLC AND SHOULD NOT BE USED WITHOUT WRITTEN PERMISSION	
▽ = 0	INCH	SCALE	NTS
▽ = 0	GENERAL TOLERANCES (UNLESS SPECIFIED)		CURRENT REV DESC: NEW SALE DRAWING CREATED.
▽ = 0	ANGULAR TOL	±	°
▽ = 0	4 PLACES	±	EC NO: 620468
▽ = 0	3 PLACES	±	DRWN: PPURSUTANDEL 2019/07/05
▽ = 0	2 PLACES	±	CHK'D: DNGUYEN62 2019/08/07
▽ = 0	1 PLACE	±	APPR: HKNEELAND 2020/05/19
▽ = 0	0 PLACES	±	INITIAL REVISION:
▽ = 0	DRAFT WHERE APPLICABLE MUST REMAIN WITHIN DIMENSIONS		THIRD ANGLE PROJECTION
▽ = 0	DRAWING		SERIES
B-SIZE		130143	DOCUMENT NUMBER
SEE TABLE		GENERAL MARKET	1301430187
MATERIAL NUMBER		CUSTOMER	PSD 000 A
SHEET NUMBER		1 OF 1	