

6 5 4 3 2 1

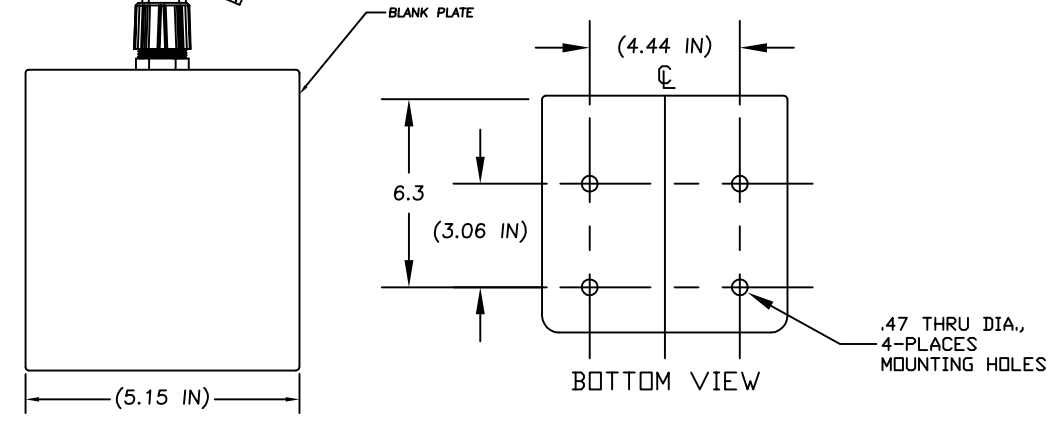
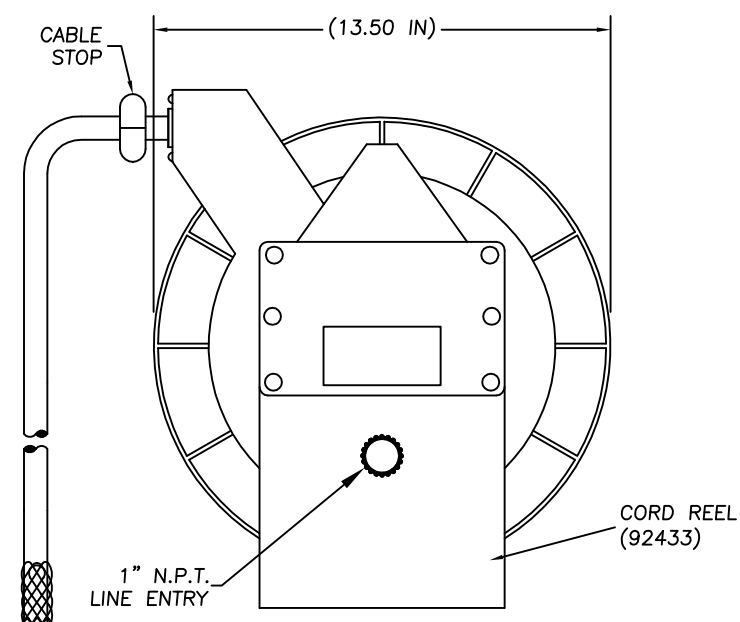
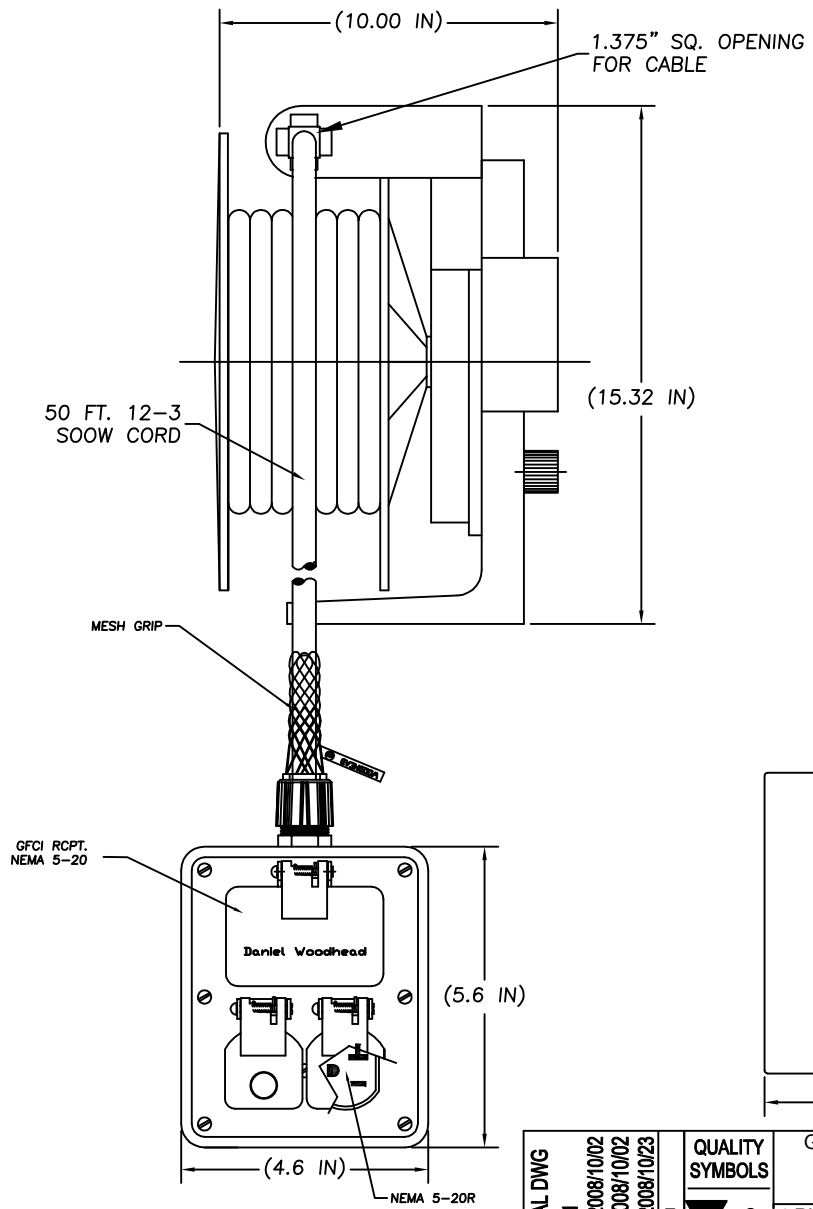
E

D

C

B

A



QUOTE #SPR6288 MAREIAL #1300830869
 CUSTOMER APPROVAL SIGNATURE & DATE

 SIGNATURE DATE

CUSTOMER APPROVAL DWG
 EC NO: WNA2009-0221
 DRWN: HKNEELAN 2008/10/02
 CHKD: HKNEELAN 2008/10/02
 APPR: JPAWLICK 2008/10/23

QUALITY SYMBOLS
 ▽=0
 ∇=0

GENERAL TOLERANCES (UNLESS SPECIFIED)		
	mm	INCH
4 PLACES	±---	±---
3 PLACES	±---	±.005
2 PLACES	±---	±.010
1 PLACE	±---	±.020
ANGULAR ±1/2°		
DRAFT WHERE APPLICABLE MUST REMAIN WITHIN DIMENSIONS		

DIMENSION STYLE INCHES
 DRAWN BY: HK DATE: 2008/10/02
 CHECKED BY: HK DATE: 2008/10/02
 APPROVED BY: HK DATE: 2008/10/02
 MATERIAL NO. 1300830869
 SIZE A

SCALE NTS
 DESIGN UNITS INCH
 THIRD ANGLE PROJECTION
92433 OUTLET BOX (2) DPLX GFCI NEMA 5-20R WIRE MESH GRIP
MOLEX INCORPORATED
 DOCUMENT NO. SD-130083-004
 SHEET NO. 1 OF 1
 THIS DRAWING CONTAINS INFORMATION THAT IS PROPRIETARY TO MOLEX INCORPORATED AND SHOULD NOT BE USED WITHOUT WRITTEN PERMISSION

6 5 4 3 2 1