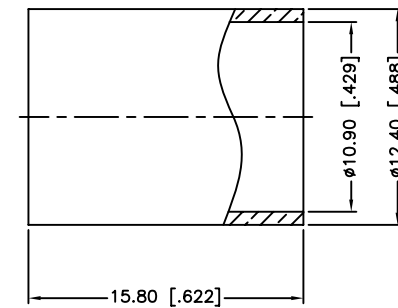
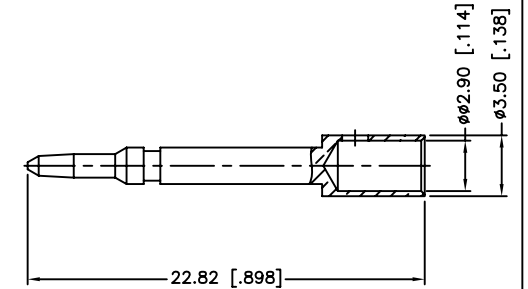
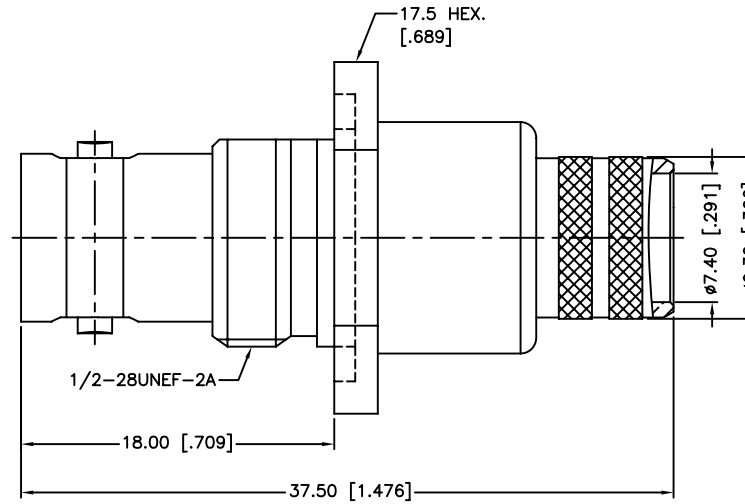
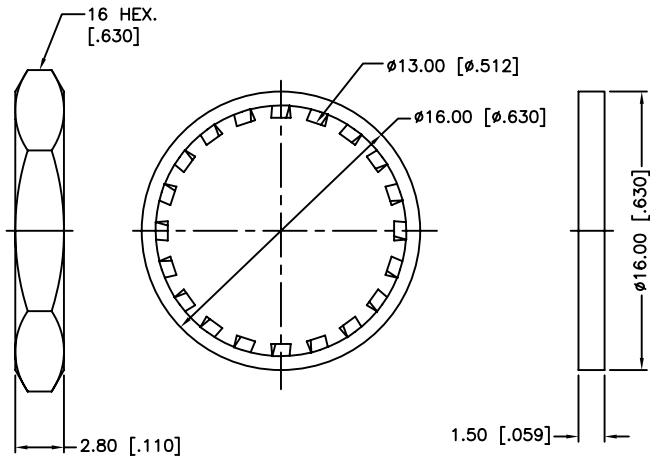


| REV. | DATE | ECR NO. | DESCRIPTION |
|------|----------|---------|--|
| NC | 11/20/00 | XXXXXX | INITIAL RELEASE |
| A | 06/06/13 | 2478 | UPDATE DRAWING FORMAT, ADD ELECTRICAL & MECHANICAL NOTES |



1. IMPEDANCE: 50 OHM
2. FREQUENCY RANGE: DC-4 GHZ
3. VSWR: 1.3 MAX.
4. DIELECTRIC WITHSTANDING VOLTAGE: 1500 VRMS, MIN.
5. DURABILITY: 500 CYCLES MIN.
6. TEMPERATURE RANGE: -65°C TO +165°C
7. CRIMPED FERRULE
HEX CRIMP SIZE .429"
8. CRIMPED CONTACT PIN
HEX CRIMP SIZE .118"
9. MAX. PANEL THICKNESS=3.5mm

| QTY | DESCRIPTION | MATERIAL | FINISH |
|-----|-------------|-----------------|---------|
| 1 | FERRULE | BRASS | NICKEL |
| 1 | CONTACT PIN | BRASS | GOLD |
| 1 | HEX NUT | BRASS | NICKEL |
| 1 | LOCK WASHER | BRASS | NICKEL |
| 1 | GASKET | SILICONE RUBBER | RED |
| 1 | BARREL | BRASS | NICKEL |
| 1 | INSULATOR | PTFE | NATURAL |
| 1 | BODY | BRASS | NICKEL |
| 1 | HOUSING | BRASS | NICKEL |

UNLESS OTHERWISE SPECIFIED DIMENSIONS ARE IN MILLIMETERS. DIMENSIONS IN [] ARE IN INCHES AND FOR CUSTOMER REFERENCE ONLY.

UNLESS OTHERWISE SPECIFIED TOLERANCES FOR MILLIMETERS ARE:
 <0.5 ± 0.05mm
 0.5 - 6mm ± 0.10mm
 6 - 30mm ± 0.20mm
 30 - 120mm ± 0.30mm
 ANGLES ± 1°

UNLESS OTHERWISE SPECIFIED TOLERANCES FOR INCHES ARE:
 <.020 ± 0.002"
 .020 - .236 ± 0.004"
 .236 - 1.180 ± 0.007"
 1.180 - 4.724 ± 0.012"
 ANGLES ± 1°

DO NOT SCALE DRAWING

| APPROVALS | DATE |
|---------------------------------|----------|
| DRAWN M.ZHANG | 06/06/13 |
| CHECKED | |
| ISSUED | |
| SHEET 1 OF 1 | |
| CAD FILE C:/CONNEX/112604RP.DWG | |

| Amphenol Connex | | | |
|---|--------------|-------|----|
| PART DESCRIPTION BNC REVERSE POLARITY BULKHEAD CRIMP JACK (FOR BELDEN 8214, 9913, 9914, LMR400 CABLE) | | | |
| PART NO. 112604RP | | | |
| DWG. NO. | 112604RP.DWG | REV. | A |
| SIZE | A | SCALE | NA |