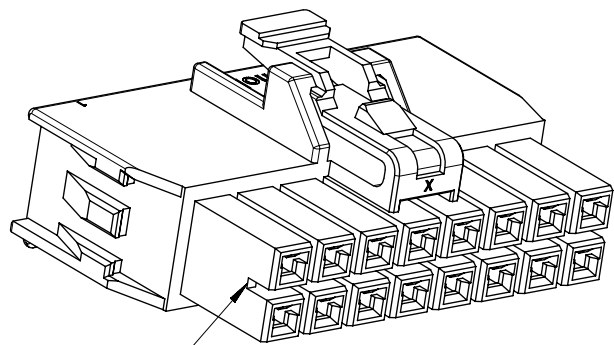
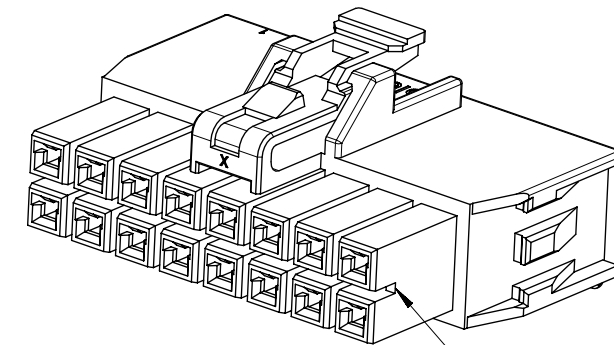


- NOTES:
- MATERIAL:  
 OPTION 1: PA4T, 30% GLASS FILLED, 94V-0, BLACK  
 OPTION 2: PA4T, 30 GLASS FILLED, 94V-0, NATUAL.
  - PRODUCT SPECIFICATION: PS-105300-100.
  - PACKAGE SPECIFICATION: PK-105308-100.
  - THE COMPONENT COMPLIANT TO RoHS DIRECTIVE 2011/65/EU AND ELV DIRECTIVE 2000/53/EC.
  - TO MATE WITH TERMINAL OF 105310-\*\*\*\*.  
 TO MATE WITH TPA OF 105325-\*\*\*\*.  
 TO MATE WITH HEADER OF 105310-\*\*\*\*, 105312-\*\*\*\* AND 105314-\*\*\*\*.
  - PARTS CONFORM TO CLASS 'B' REQUIREMENTS OF COSMETIC SPECIFICATION PS-45499-002.
  - APPLICATION SPECIFICATION: AS-105300-100.

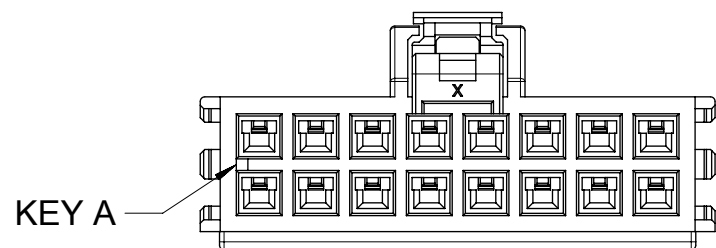
THIS DRAWING CONTAINS INFORMATION THAT IS PROPRIETARY TO MOLEX ELECTRONIC TECHNOLOGIES, LLC AND SHOULD NOT BE USED WITHOUT WRITTEN PERMISSION											
QUALITY SYMBOLS	EC NO: 664659 DRWN: GLLI CHK'D: YXZHENG APPR: YXZHENG	GENERAL TOLERANCES (UNLESS SPECIFIED)		DIMENSION UNITS	SCALE						
		ANGULAR TOL ± 3.0 °		mm	3:1						
▽A = 0	E1 REV	4 PLACES ±	DRWN BY GLLI		DATE 2014/08/13		RECEPTACLE OF NANO-FIT, D/R, TPA POWER CONNECTOR				
▽E = 0		3 PLACES ±	CHK'D BY		DATE						
▽B = 0		2 PLACES ± 0.2	APPR BY		DATE		PRODUCT CUSTOMER DRAWING				
▼ = 0		1 PLACE ± 0.3	AYIN		2015/04/08		SERIES	MATERIAL NUMBER	CUSTOMER		
▽C = 0		0 PLACES ±	DRAFT WHERE APPLICABLE MUST REMAIN WITHIN DIMENSIONS		DRAWING SIZE	THIRD ANGLE PROJECTION	105308	SEE SHEET 4	GENERAL MARKET		
⊗ = 0					A3		DOCUMENT NUMBER		DOC TYPE	DOC PART	SHEET NUMBER
■ = 0							SD-105308-100		PSD	000	1 OF 4
▽ = 0											



KEY A

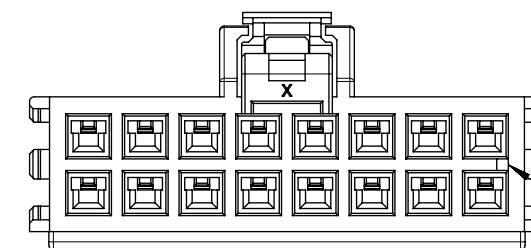


KEY B



KEY A

BLACK



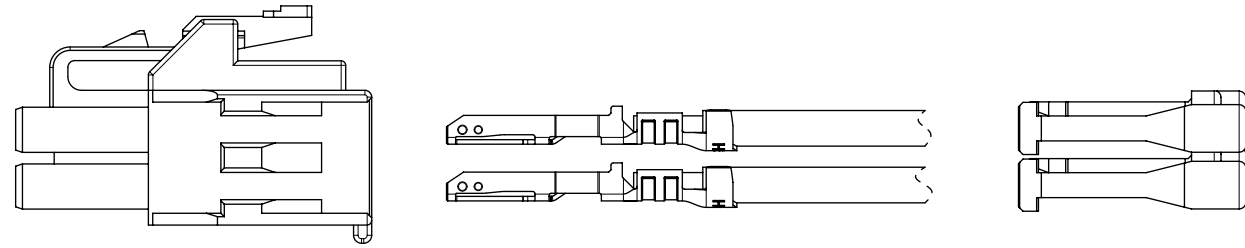
KEY B

NATURAL

COLOR OPTION

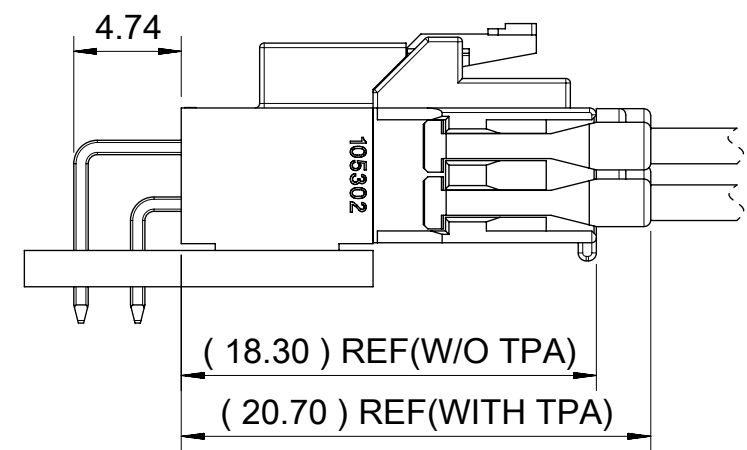
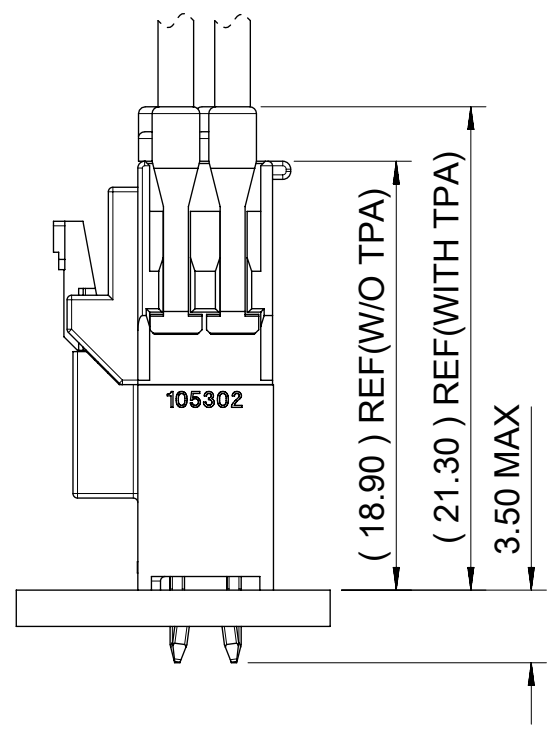
<b>QUALITY SYMBOLS</b> ▽ <sub>A</sub> = 0 ▽ <sub>E</sub> = 0 ▽ <sub>F</sub> = 0 ▼ = 0 ▽ <sub>C</sub> = 0 ⊠ = 0 ■ = 0 ▽ = 0	THIS DRAWING CONTAINS INFORMATION THAT IS PROPRIETARY TO MOLEX ELECTRONIC TECHNOLOGIES, LLC AND SHOULD NOT BE USED WITHOUT WRITTEN PERMISSION											
	EC NO: 664659 DRWN: GLLI CHK'D: YXZHENG APPR: YXZHENG	2021/05/20	2021/05/21	GENERAL TOLERANCES (UNLESS SPECIFIED)		DIMENSION UNITS	SCALE					
				ANGULAR TOL ± 3.0 °		mm	3:1					
				4 PLACES ±	DRWN BY		DATE		RECEPTACLE OF NANO-FIT, D/R, TPA POWER CONNECTOR			
				3 PLACES ±	GLLI		2014/08/13					
				2 PLACES ± 0.2	CHK'D BY		DATE					
			1 PLACE ± 0.3	APPR BY		DATE		PRODUCT CUSTOMER DRAWING				
			0 PLACES ±	AYIN		2015/04/08		SERIES	MATERIAL NUMBER	CUSTOMER		
	DRAFT WHERE APPLICABLE MUST REMAIN WITHIN DIMENSIONS		A3		THIRD ANGLE PROJECTION		105308		SEE SHEET 4		GENERAL MARKET	
							DOCUMENT NUMBER		DOC TYPE	DOC PART	SHEET NUMBER	
						SD-105308-100		PSD	000	2 OF 4		

E



←  
TERMINAL AND TPA ORIENTATION

D

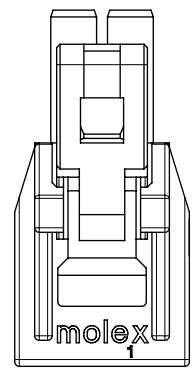


C

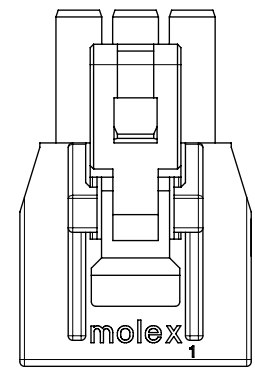
B

A

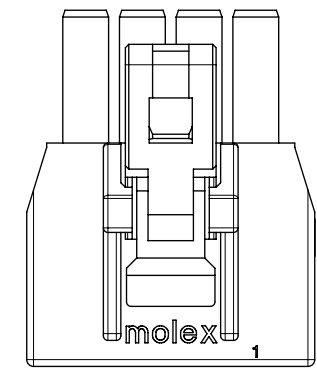
THIS DRAWING CONTAINS INFORMATION THAT IS PROPRIETARY TO MOLEX ELECTRONIC TECHNOLOGIES, LLC AND SHOULD NOT BE USED WITHOUT WRITTEN PERMISSION											
<b>QUALITY SYMBOLS</b> ▽ <sub>A</sub> = 0 ▽ <sub>E</sub> = 0 ▽ <sub>F</sub> = 0 ▽ = 0 ▽ = 0 ▽ = 0 ▽ = 0 ▽ = 0 ▽ = 0 ▽ = 0		EC NO: 664659 DRWN: GLLI CHK'D: YXZHENG APPR: YXZHENG		2021/05/20 2021/05/21 2021/05/21		GENERAL TOLERANCES (UNLESS SPECIFIED) ANGULAR TOL ± 3.0 ° 4 PLACES ± 3 PLACES ± 2 PLACES ± 0.2 1 PLACE ± 0.3 0 PLACES ±		DIMENSION UNITS: mm SCALE: 3:1		<b>molex</b> RECEPTACLE OF NANO-FIT, D/R, TPA POWER CONNECTOR	
DRWN BY: GLLI DATE: 2014/08/13		APPR BY: AYIN DATE: 2015/04/08		CHK'D BY: [blank] DATE: [blank]		DRAFT WHERE APPLICABLE MUST REMAIN WITHIN DIMENSIONS		DRAWING SIZE: A3 THIRD ANGLE PROJECTION		PRODUCT CUSTOMER DRAWING	
SERIES: 105308		MATERIAL NUMBER: SEE SHEET 4		CUSTOMER: GENERAL MARKET		DOCUMENT NUMBER: SD-105308-100		DOC TYPE: PSD		DOC PART: 000 SHEET NUMBER: 3 OF 4	



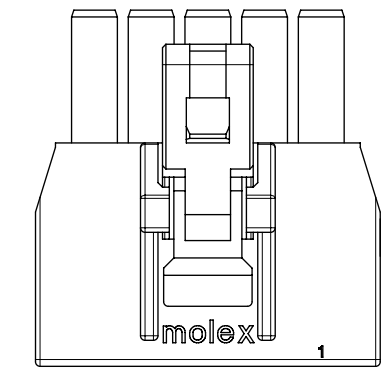
4 CKT



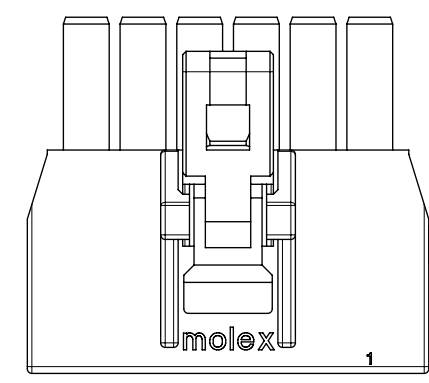
6 CKT



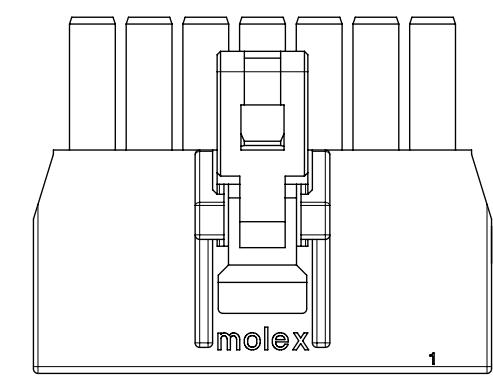
8 CKT



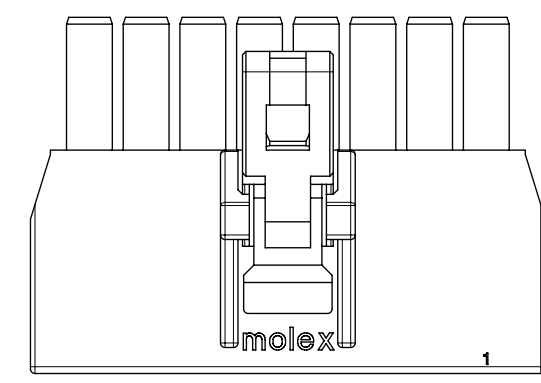
10 CKT



12 CKT



14 CKT



16 CKT

WITH TPA FEATURE			
PART No	DIM 'A'	CKT SIZE	COLOR
105308-1204	7.7	4	BLACK (KEY A)
105308-1206	10.2	6	
105308-1208	12.7	8	
105308-1210	15.2	10	
105308-1212	17.7	12	
105308-1214	20.2	14	
105308-2204	7.7	4	NATURAL (KEY B)
105308-2206	10.2	6	
105308-2208	12.7	8	
105308-2210	15.2	10	
105308-2212	17.7	12	
105308-2214	20.2	14	
105308-2216	22.7	16	

105308- \* \* \* \*

CIRCUIT SIZE

TPA OPTION: 1 - STANDARD  
2 - WITH TPA

COLOR OPTION: 1 - BLACK  
2 - NATURAL

THIS DRAWING CONTAINS INFORMATION THAT IS PROPRIETARY TO MOLEX ELECTRONIC TECHNOLOGIES, LLC AND SHOULD NOT BE USED WITHOUT WRITTEN PERMISSION										
<b>QUALITY SYMBOLS</b> ▽A = 0 ▽E = 0 ▽F = 0 ▼ = 0 ▽C = 0 ⊗ = 0 ■ = 0 ▽ = 0	EC NO: 664659 DRWN: GLLI CHK'D: YXZHENG APPR: YXZHENG	<b>GENERAL TOLERANCES (UNLESS SPECIFIED)</b> ANGULAR TOL ± 3.0 °		DIMENSION UNITS <b>mm</b>	SCALE <b>3:1</b>					
		4 PLACES ± 3 PLACES ± 2 PLACES ± 0.2 1 PLACE ± 0.3 0 PLACES ±	DRWN BY <b>GLLI</b>		DATE <b>2014/08/13</b>					
DRAFT WHERE APPLICABLE MUST REMAIN WITHIN DIMENSIONS		APPR BY <b>AYIN</b>		DATE <b>2015/04/08</b>		<b>PRODUCT CUSTOMER DRAWING</b>				
<b>E1</b>		DRAWING SIZE <b>A3</b>		THIRD ANGLE PROJECTION 		SERIES <b>105308</b>	MATERIAL NUMBER <b>SEE CHART</b>	CUSTOMER <b>GENERAL MARKET</b>		
RELEASE STATUS   P1   RELEASE DATE   2021/05/21 12:48:12						DOCUMENT NUMBER <b>SD-105308-100</b>		DOC TYPE <b>PSD</b>	DOC PART <b>000</b>	SHEET NUMBER <b>4 OF 4</b>