

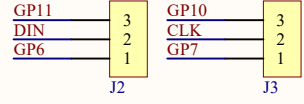
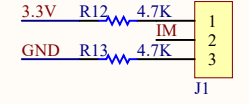
1

| | | | |
|------|----|--------|-----------|
| U4 | | | |
| GP0 | 1 | GPIO0 | VBUS |
| GP1 | 2 | GPIO1 | VSYS |
| GND | 3 | GND | GND |
| GP2 | 4 | GPIO2 | 3V3_EN |
| GP3 | 5 | GPIO3 | 3V3 |
| GP4 | 6 | GPIO4 | ADC_VREF |
| GP5 | 7 | GPIO5 | IO28/ADC2 |
| GND | 8 | GND | AGND |
| GP6 | 9 | GPIO6 | IO27/ADC1 |
| GP7 | 10 | GPIO7 | IO26/ADC0 |
| GP8 | 11 | GPIO8 | RUN |
| GP9 | 12 | GPIO9 | GPIO22 |
| GND | 13 | GND | GND |
| GP10 | 14 | GPIO10 | GPIO21 |
| GP11 | 15 | GPIO11 | GPIO20 |
| GP12 | 16 | GPIO12 | GPIO19 |
| GP13 | 17 | GPIO13 | GPIO18 |
| GND | 18 | GND | GND |
| GP14 | 19 | GPIO14 | GPIO17 |
| GP15 | 20 | GPIO15 | GPIO16 |

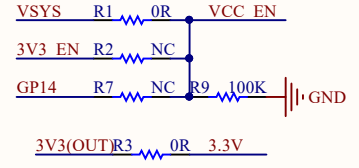
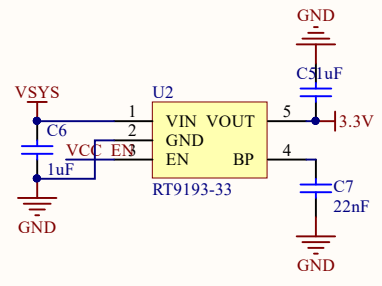
Pi pico (40P)

2

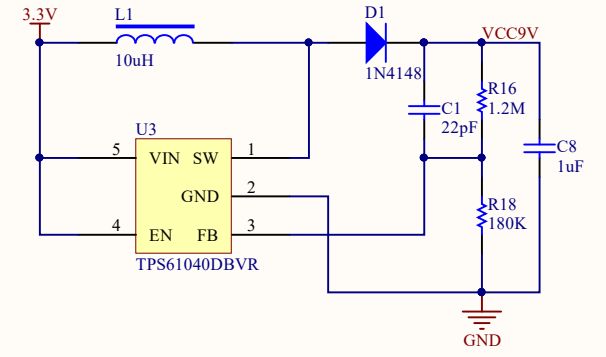
| | | |
|----|-----|-----|
| | VCC | GND |
| IM | I2C | SPI |



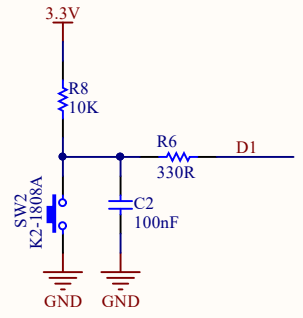
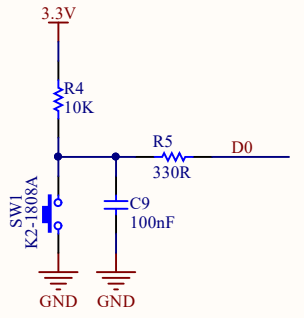
3



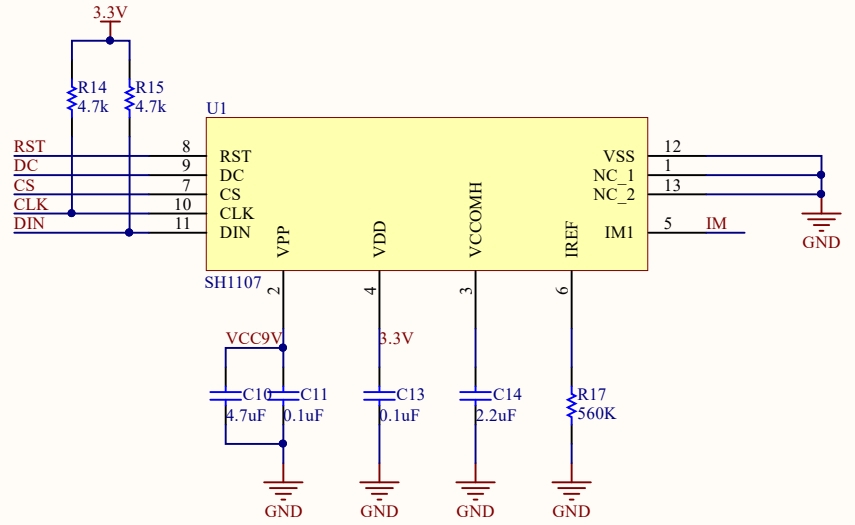
4



| | |
|----|------|
| D0 | GP15 |
| D1 | GP17 |



| | |
|------|-----|
| GP8 | DC |
| GP12 | RST |
| GP9 | CS |



W aveshare
Pico-OLED-1.3

1

2

3

4

KEY0 GND RST CLK CS SCL GND



GP14 GND DC SDA GND 1



DIN



GND



DC



SDA



IM



VSYS



3V3



GND



GP14



EN



VSYS



3V3



21

GND

GND

EN

VSYS



KEY1

GND

3V3

GND

40

