

**PLEASE CHECK WWW.MOLEX.COM FOR LATEST PART INFORMATION**

**Part Number:** [0923151230](#)  
**Status:** **Active**  
**Overview:** [Picoflex Ribbon-Cable Connectors](#)  
**Description:** Picoflex PF-50 IDT-to-Picoflex PF-50 IDT Cable Assembly, 0.30m Length, Tin (Sn) Plating, 12 Circuits

**Documents:**

[3D Model](#) [Product Specification PS-99020-0011-001 \(PDF\)](#)  
[Drawing \(PDF\)](#) [RoHS Certificate of Compliance \(PDF\)](#)

**Application tooling part link**

Application Tooling Part Link 62100-6000  
 Application Tooling Part Link 62100-6010

**General**

Product Family Cable Assemblies  
 Series [92315](#)  
 Assembly Configuration Dual Ended Connectors  
 Connector to Connector Picoflex IDT-to-IDT  
 Overview [Picoflex Ribbon-Cable Connectors](#)  
 Product Name Picoflex  
 UPC 800754785921

**Physical**

Cable Length 0.30m  
 Circuits (Loaded) 12  
 Color - Resin Natural  
 Gender Female-Female  
 Lock to Mating Part None  
 Material - Metal Phosphor Bronze  
 Material - Plating Mating Tin  
 Material - Plating Termination Tin  
 Material - Resin Polyester  
 Net Weight 7.595/g  
 Number of Rows 2  
 Packaging Type Bag  
 Pitch - Mating Interface 1.27mm  
 Plating min - Mating 2.032µm  
 Plating min - Termination 2.032µm  
 Single Ended No  
 Termination Interface: Style IDT or Pierce  
 Waterproof / Dustproof No  
 Wire Insulation Diameter N/A  
 Wire Size AWG 28  
 Wire/Cable Type PVC, Ribbon Cable

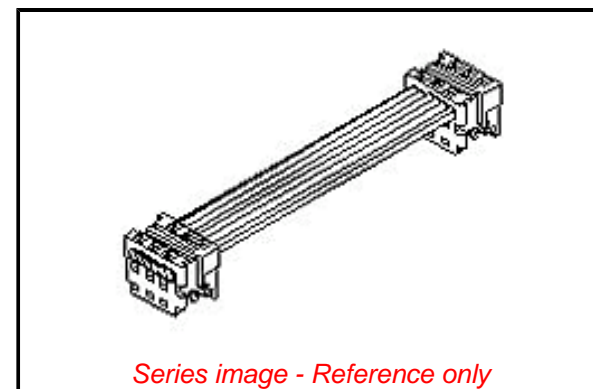
**Electrical**

Current - Maximum per Contact 1.2A  
 Shielded No  
 Voltage - Maximum 250V

**Material Info**

**Reference - Drawing Numbers**

Product Specification PS-99020-0011-001  
 Sales Drawing SD-92315-001-001



Series image - Reference only

**EU ELV**

**Not Relevant**

**EU RoHS**

**Compliant**

**REACH SVHC**

Not Contained Per -  
 D(2021)4569-DC (8  
 July 2021)

**Halogen-Free**

**Status**

**Not Low-Halogen**

For more information, please visit [Contact US](#)

China ROHS

ELV

RoHS Phthalates

**China RoHS**

Green Image

Not Relevant

Not Contained

**Search Parts in this Series**

[92315](#) Series

**Mates With**

Picoflex PF-50 Header [90325](#) , [90800](#) ,  
[90779](#) , [90715](#) , [90814](#)

**Application Tooling | FAQ**

*Tooling specifications and manuals are found by selecting the products below. Crimp Height Specifications are then contained in the Application Tooling Specification document.*

**Global**

**Description**

**Product #**

Extractor Tool for [621006000](#)  
 Connectors

This document was generated on 09/27/2021

**PLEASE CHECK [WWW.MOLEX.COM](http://WWW.MOLEX.COM) FOR LATEST PART INFORMATION**