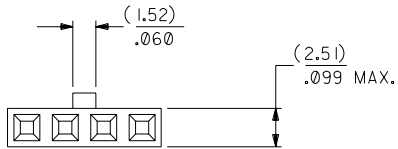


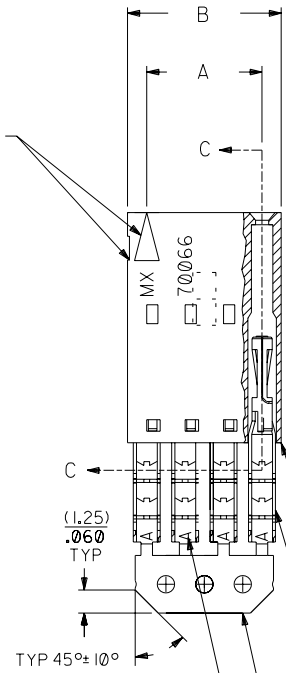
OPTION E



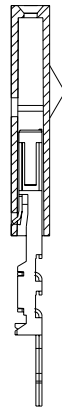
NOTES:

- 1) TO BE USED WITH (24) AWG. STRANDED WIRE WITH (1.35)/.053 DIA. MAX. INSULATION.
- 2) SEE CHART FOR CIRCUIT SIZES.
- 3) STANDARD PACKAGING PER PK-70400-0001. OPTIONAL PACKAGING MAY BE AVAILABLE, REQUEST DWG. PK-70400
- 4) PARTS STACKABLE END TO END ON (2.54)/.100 CENTERS.
- 5) REFER TO PRODUCT SPECIFICATION: PS-70400.
- 6) SEE DWG. SDA-70400-**** (SHT. 5) FOR OPTIONAL HOUSING DETAILS.
- 7) 4 CIRCUIT SHOWN.
- 8) TO MATE WITH MOLEX PART NO.'S.: A-70390-****, A-70392-****, A-70374-****, A-70376-****, A-70542-****, A-70552-****, A-70544-****, A-70554-****, A-70546-****, A-70556-****, A-70558-****.
- 9) 2 CIRCUIT ASSEMBLIES SUPPLIED AS GROUPED PAIRS.

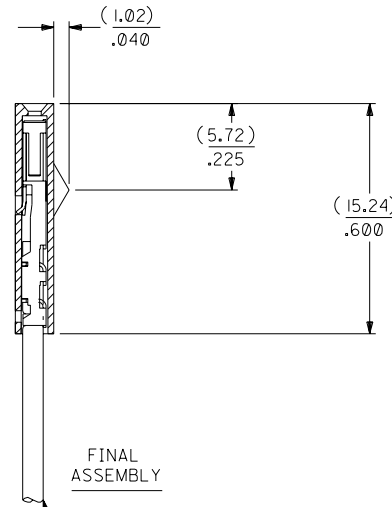
CIRCUIT NO. 1
SLOT OR ARROW



SECTION C-C



PRE-LOADED ASSEMBLY



FINAL ASSEMBLY

WIRE (SEE NOTE 1)

HOUSING PART NO. 70066-****
MATERIAL: G.F. POLYESTER, 94V-0

TERMINAL PART NO. 70028-****
MATERIAL: PHOSPHOR BRONZE
PLATING PER ES-88-***

TIN - .000150 MIN. TIN OVER
.000050 MIN. NICKEL PLATE.

I.D. SLOT CODE TO WIRE GAUGE CHART

I.D. SLOT CODE	WIRE GAUGE
A	24 AWG.

PLATING CODE (STRIPE ON CARRIER STRIP)

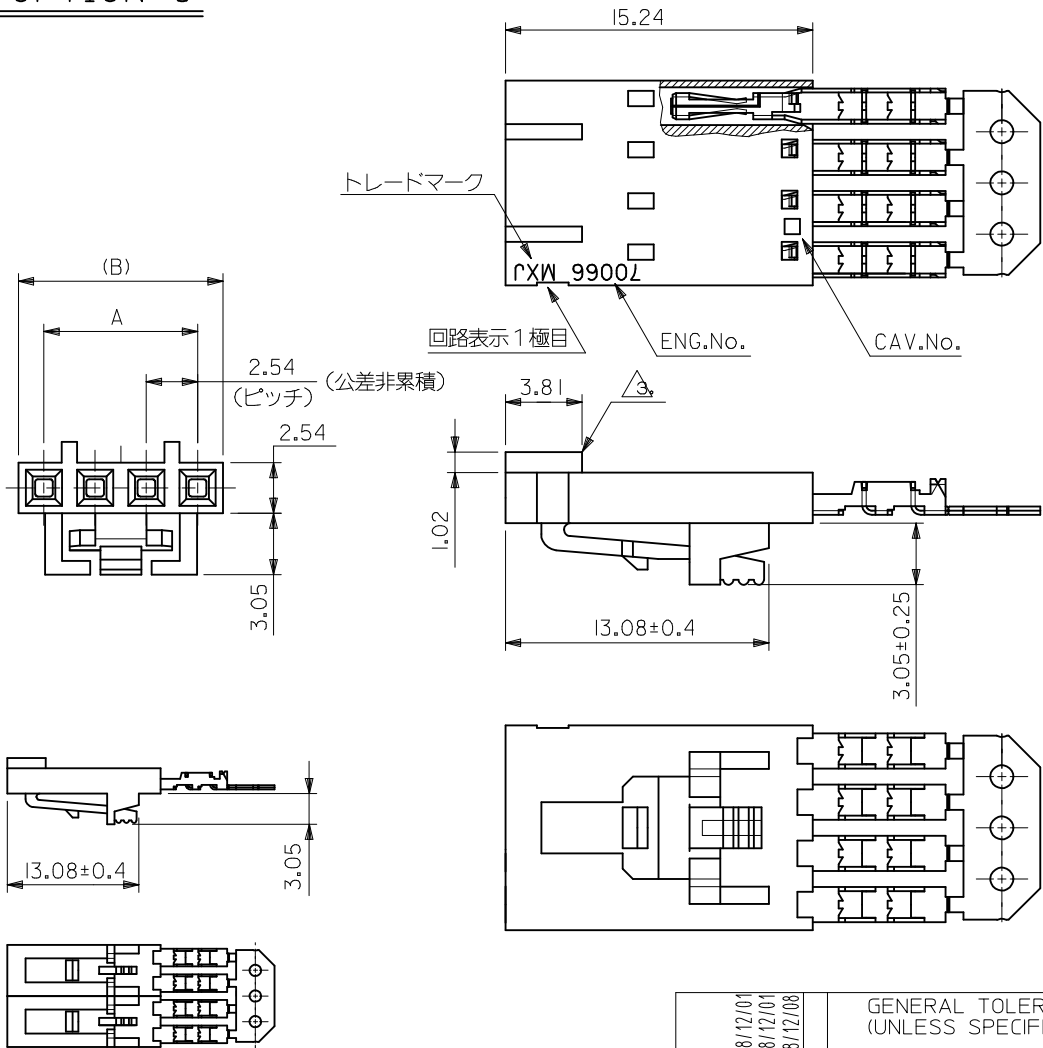
PLATING	COLOR
TIN	NONE

*THE PRIMARY SHIPPING CARTON WILL BE LABELED "COMPLIANT TO ROHS DIRECTIVE 2002/95/EC AND ELV ANNEX II OF DIRECTIVE 2000/53/EC". CARTONS WITHOUT THIS LABEL MAY CONTAIN PRODUCT WITH LEAD.

CKT. SIZE	DIMENSIONS (INCH)		EDP. NO.	ENG. NO.
	A	B		
2	(2.54) .100	(5.05) .199		
3	(5.08) .200	(7.59) .299		
4	(7.62) .300	(10.13) .399		
5	(10.16) .400	(12.67) .499		
6	(12.70) .500	(15.21) .599		
7	(15.24) .600	(17.75) .699		
8	(17.78) .700	(20.29) .799		
9	(20.32) .800	(22.83) .899		
10	(22.86) .900	(25.37) .999		
11	(25.54) 1.000	(27.91) 1.099		
12	(27.94) 1.100	(30.45) 1.199		
13	(30.48) 1.200	(32.99) 1.299		
14	(33.02) 1.300	(35.53) 1.399		
15	(35.56) 1.400	(38.07) 1.499		
16	(38.01) 1.500	(40.61) 1.599		
17	(40.64) 1.600	(43.15) 1.699		
18	(43.18) 1.700	(45.69) 1.799		
19	(45.72) 1.800	(48.23) 1.899		
20	(48.26) 1.900	(50.77) 1.999		
21	(50.80) 2.000	(53.31) 2.099		
22	(53.34) 2.100	(55.85) 2.199		
23	(55.88) 2.200	(58.39) 2.299		
24	(58.42) 2.300	(60.93) 2.399		
25	(60.96) 2.400	(63.47) 2.499		

DIMENSIONS SHOWN (METRIC) INCH UNLESS OTHERWISE SPECIFIED TOLERANCES: ANGULAR ± 1/2°		MFG. SH. REV.	
3 PLACE ± .010 --- 2 PLACE ± .014 ± 0.25 1 PLACE --- ± 0.35		REVISE ONLY ON CAD SYSTEM	
DRAFT WHERE APPLICABLE MUST REMAIN WITHIN DIMENSIONS		TITLE ASSEMBLY, SL CONNECTOR (SINGLE ROW- (2.54)/.100 GRID)	
DRWG. BY: [] CHK'D. BY: [] APP'D. BY: [] SCALE: 4:1		MOLEX INCORPORATED SHEET NO. DATE / / LITSE, ILL. 60532 U.S.A.	
L.T.R. REVISIONS L.T.R. REVISIONS		PART NO. DRWG. NO.	
		FILE NAME: THIS DRAWING CONTAINS INFORMATION THAT IS PROPRIETARY TO MOLEX INC. AND SHOULD NOT BE USED WITHOUT WRITTEN PERMISSION. DIV. DA SIZE C	

OPTION G



注記:

1. 材料
ハウジング：ガラス入りポリエステル UL 94V-0
ターミナル：磷青銅
2. 仕上げ
接点部：金メッキ 0.38 μm MIN.
圧接部：錫メッキ 1.91 μm MIN.
下地メッキ：ニッケルメッキ 1.27 μm MIN.
3. 極性リブは、2極及び3極の場合1箇所のみとする。
但し3極の場合のリブは、1極目と2極目の間とする。
4. 適合オスコネクター：70107-****, 70018-****
5. 適合ヘッダー：70389-****, 70391-****
6. ハウジングの色：黒

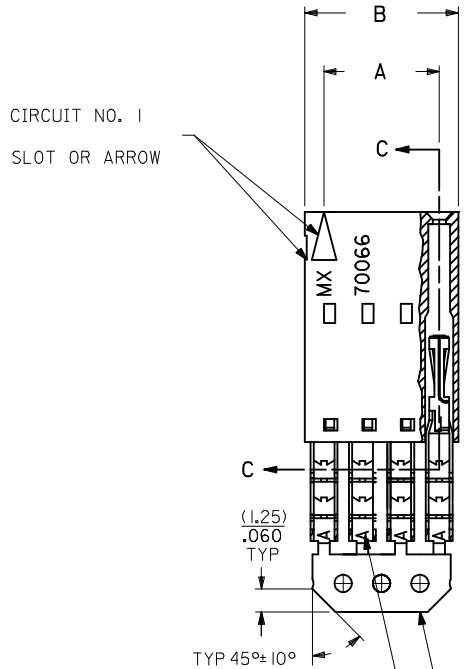
60.96	58.42	70400-0688	24
58.42	55.88	70400-0687	23
48.26	45.72	70400-0683	19
40.64	38.10	70400-0680	16
38.10	35.56	70400-0679	15
35.56	33.02	70400-0678	14
33.02	30.48	70400-0677	13
27.94	25.40	70400-0675	11
25.40	22.86	70400-0674	10
22.86	20.32	70400-0673	9
(B)	A	MATERIAL No.	極数

2極の場合
(SCALE:2-1)

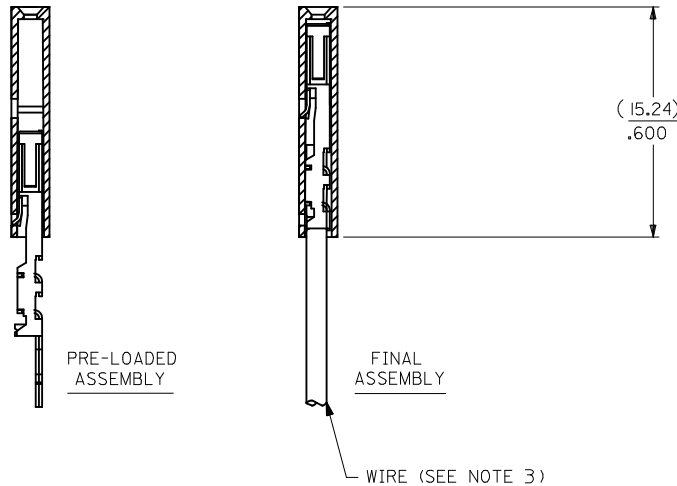
REVISED EC NO: J2009-0453 DRWN: YOSHIDAM 2008/12/01 CHKD: THARUYAMA 2008/12/01 APPR: NUKITA 2008/12/08	GENERAL TOLERANCES (UNLESS SPECIFIED)		DIMENSION STYLE MM ONLY		SCALE 4:1		DESIGN UNITS METRIC		THIRD ANGLE PROJECTION	
	10 UNDER	±0.2	DRAWN BY	DATE	TITLE					
	10 OVER 30 UNDER	±0.25	T. FURUHATA	'87/11/17	2.54 SINGLE ROW ASSY FEMALE I.D.CONN OPTION G -LEAD FREE- MOLEX INCORPORATED					
	30 OVER	±0.3	M. SASAO	DATE						
ANGULAR ±3 °		APPROVED BY		DATE		DOCUMENT NO.		SHEET NO.		
DRAFT WHERE APPLICABLE MUST REMAIN WITHIN DIMENSIONS		S. YAMADA		SEE TABLE		SD-70400-010		1 OF 1		
SIZE A3		THIS DRAWING CONTAINS INFORMATION THAT IS PROPRIETARY TO MOLEX INCORPORATED AND SHOULD NOT BE USED WITHOUT WRITTEN PERMISSION								

OPTION A

- NOTES:
 1. MATERIAL:
 HOUSING: POLYESTER(PBT), GLASS FILLED, UL94 V-0,
 COLOR: BLACK
 TERMINAL: PHOSPHOR BRONZE
 2. FINISH:
 15 GOLD: 0.38 MICROMETERS/15 MICROINCHES MINIMUM GOLD IN
 1.91 MICROMETERS/75 MICROINCHES MINIMUM TIN
 OVER NICKEL UNDERPLATE OVERALL
 3. TO BE USED WITH 24 AWG STRANDED WIRE WITH (1.35)/.053
 DIAMETER MAXIMUM INSULATION
 4. SEE TABLE FOR AVAILABLE CIRCUIT SIZES
 5. STANDARD PACKAGING PER PK-70873-0001. OPTIONAL PACKAGING
 MAY BE AVAILABLE, REQUEST DRAWING PK-70400
 6. PARTS STACKABLE END TO END ON (2.54)/.100 CENTERS
 7. PRODUCT SPECIFICATION: PS-70400
 8. SEE DRAWING SDA-70400-**** (SHEET 3) FOR OPTIONAL
 HOUSING DETAILS
 9. 4 CIRCUIT SHOWN
 10. TO MATE WITH MOLEX 2.54/.100 CENTERLINE HEADERS
 11. 2 CIRCUIT ASSEMBLIES SUPPLIED AS GROUPED PAIRS



SECTION C-C



CKT. SIZE	A	B	EDP. NO.
2	(2.54) .100	(5.05) .199	14-56-2021
3	(5.08) .200	(7.59) .299	14-56-2031
4	(7.62) .300	(10.13) .399	14-56-2041
5	(10.16) .400	(12.67) .499	14-56-2051
6	(12.70) .500	(15.21) .599	14-56-2061
7	(15.24) .600	(17.75) .699	14-56-2071
8	(17.78) .700	(20.29) .799	14-56-2081
9	(20.32) .800	(22.83) .899	14-56-2091
10	(22.86) .900	(25.37) .999	14-56-2101
11	(25.54) 1.000	(27.91) 1.099	14-56-2111
12	(27.94) 1.100	(30.45) 1.199	14-56-2121
13	(30.48) 1.200	(32.99) 1.299	14-56-2131
14	(33.02) 1.300	(35.53) 1.399	14-56-2141
15	(35.56) 1.400	(38.07) 1.499	14-56-2151
16	(38.01) 1.500	(40.61) 1.599	14-56-2161
17	(40.64) 1.600	(43.15) 1.699	14-56-2171
18	(43.18) 1.700	(45.69) 1.799	14-56-2181
19	(45.72) 1.800	(48.23) 1.899	14-56-2191
20	(48.26) 1.900	(50.77) 1.999	14-56-2201
21	(50.80) 2.000	(53.31) 2.099	14-56-2211
22	(53.34) 2.100	(55.85) 2.199	14-56-2221
23	(55.88) 2.200	(58.39) 2.299	14-56-2231
24	(58.42) 2.300	(60.93) 2.399	14-56-2241
25	(60.96) 2.400	(63.47) 2.499	14-56-2251

I.D. SLOT CODE TO WIRE GAUGE CHART	
I.D. SLOT CODE	WIRE GAUGE
A	24 AWG.

PLATING CODE (STRIPE ON CARRIER STRIP)	
PLATING	COLOR
15 GOLD	YELLOW

REMOVE ENG NO. EC NO: UCP2011-110 DRW:MSI BARRA 2010/10/19 CHK:DJMORGAN 2010/10/19 APPR:SMILLER 2010/11/24	QUALITY SYMBOLS ∇=0 ∇=0 ∇=0	GENERAL TOLERANCES (UNLESS SPECIFIED)		DIMENSION STYLE MM/IN		SCALE	DESIGN UNITS INCH	THIRD ANGLE PROJECTION	
		4 PLACES ± --- ± --- 3 PLACES ± --- ± .010 2 PLACES ± 0.25 ± .014 1 PLACE ± 0.35 ± ---		DRAWN BY DATE MSI BARRA 2010/10/19		TITLE ASSEMBLY, SL CONNECTOR SINGLE ROW 2.54/.100 GRID			
		ANGULAR ± 1/2°		CHECKED BY DATE WAZ 1984/10/09		MOLEX INCORPORATED			
		DRAFT WHERE APPLICABLE MUST REMAIN WITHIN DIMENSIONS		APPROVED BY DATE SMILLER 2010/11/24		MATERIAL NO. SEE TABLE		DOCUMENT NO. SDA-70400-0526-0549	