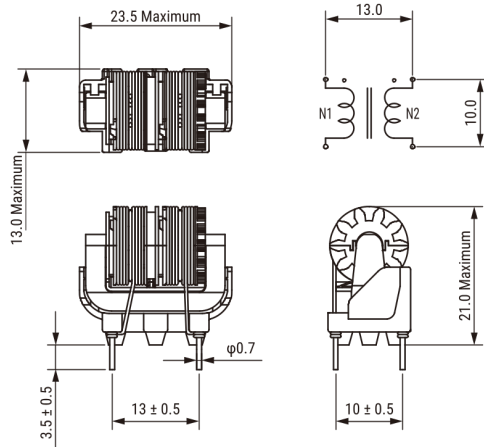


SSR10VS-10135

Aliases (UALR10VS101350)

KEMET, SSR10VS/HS, AC Line Filters, Common Mode, 13.5 mH



Click [here](#) for the 3D model.

Dimensions

L	23.5mm MAX
T	13mm MAX
H	21mm MAX
LL	3.5mm +/-0.5mm
S	13mm +/-0.5mm
S1	10mm +/-0.5mm
Wire Size	0.32mm

Packaging Specifications

Packaging	Tray
Packaging Quantity	600
Component Weight	9 g

General Information

Series	SSR10VS/HS
Style	Through-Hole
Features	Compact Size, Low Profile, Light Weight, High Frequency, Broad Bandwidth
RoHS	Yes
Miscellaneous	50 (K) Temperature Rise Max.
Core	Mn-Zn Ferrite

Specifications

Voltage AC	250 VAC
Inductance	13.5 mH (10 kHz)
Current	1A
Temperature Range	-25/+120°C
DC Resistance	430 mOhms