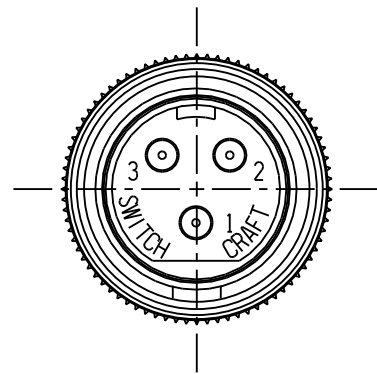
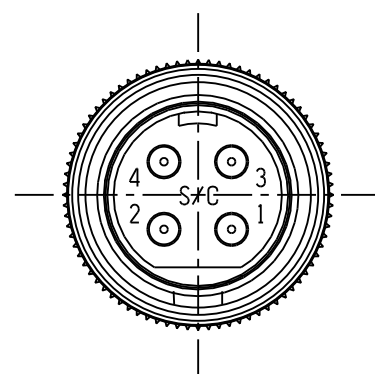


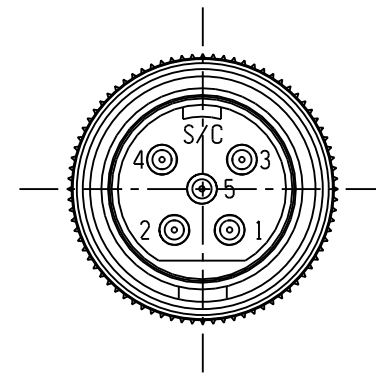
SL402MX  
2 PIN



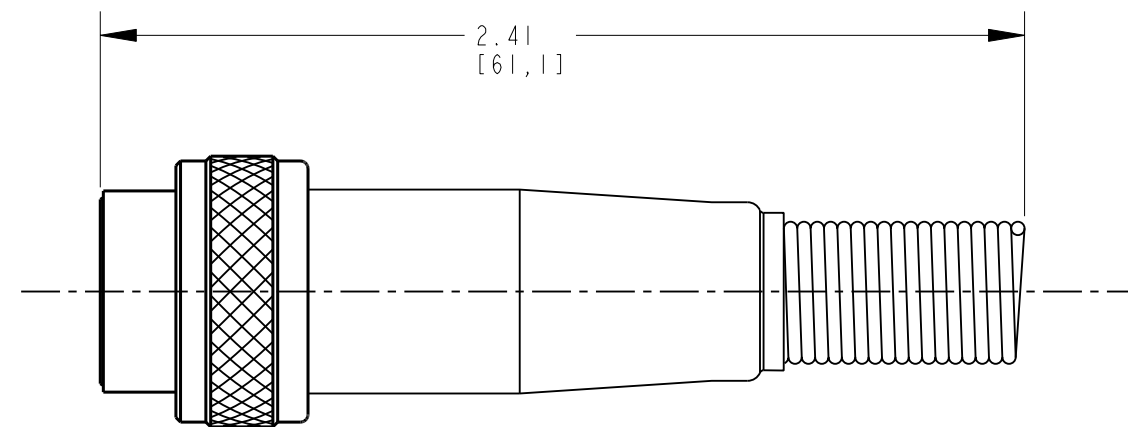
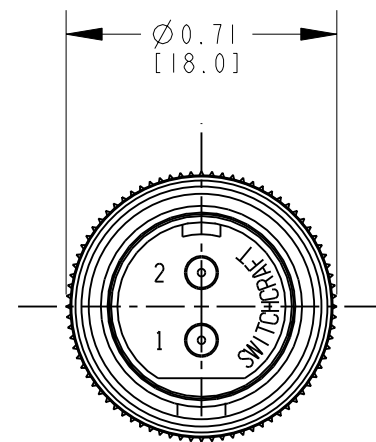
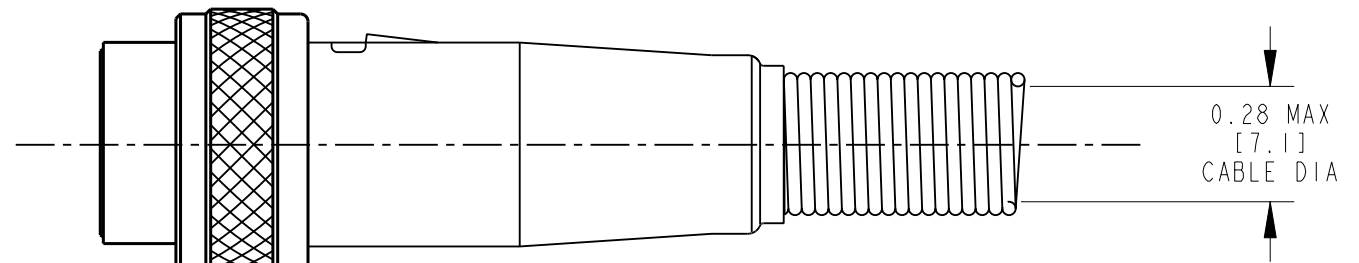
SL403MX  
3 PIN



SL404MX  
4 PIN



SL405MX  
5 PIN



CUSTOMER DRAWING

NOTES:

- MATERIALS:  
HOUSING - COPPER ALLOY, NICKEL PLATED  
INSERT - GLASS REINFORCED THERMOPLASTIC  
CONTACTS - COPPER ALLOY, SILVER PLATED  
CABLE CLAMP - STEEL, TIN PLATED  
STRAIN RELIEF - STEEL, NICKEL PLATED  
LATCH - STEEL, NICKEL PLATED

2. THESE PRODUCTS ARE RoHS COMPLIANT.

REV	ECO NUMBER	DATE	BY	APVD
E	27522	6-9-15	TO	TJK
D	27214	10-28-13	TO	TJK
C	27066	12-12-12	TO	TJK
B	26680	1-7-11	TO	TJK
A	26152	9-18-06	JEB	TJK
REVISIONS				

★ STAR SYMBOL DENOTES CRITICAL DIMENSION

UNLESS OTHERWISE SPECIFIED

- ALL DIMENSIONS IN INCHES  
- TWO PLACE DECIMALS ±0.01  
- THREE PLACE DECIMALS ±0.005  
- ANGLES ±1°  
- ALL DIA. CONCENTRIC WITHIN 0.005 T.I.R.
- FEATURES ON THE SAME CENTERLINE MUST BE ALIGNED WITHIN ±0.002
- REMOVE ALL BURRS

DO NOT SCALE DRAWING

THIS DRAWING DESCRIBES A DESIGN CONSIDERED PROPRIETARY IN NATURE, DEVELOPED AND MANUFACTURED BY SWITCHCRAFT INC. AND IS RELEASED ON A CONFIDENTIAL BASIS FOR IDENTIFICATION PURPOSES ONLY.									
SIZE		WIDTH		MULT		LBS/M		TEMPER	
FINISH					MATERIAL				
SPEC No.					SPEC No.				
FIRST USED ON				SCALE					
				2:1					
DATE DRAWN	BY	CHKD	APVD	<b>Switchcraft®</b>					
07-Jan-09	JEB	JEB	TJK						
				SHEET		OF		REV	
NAME				PART No.		REV			
SLIM-LINE MALE				SL402MX-SL405MX		E			
CORD PLUG CONNECTOR, RoHS									