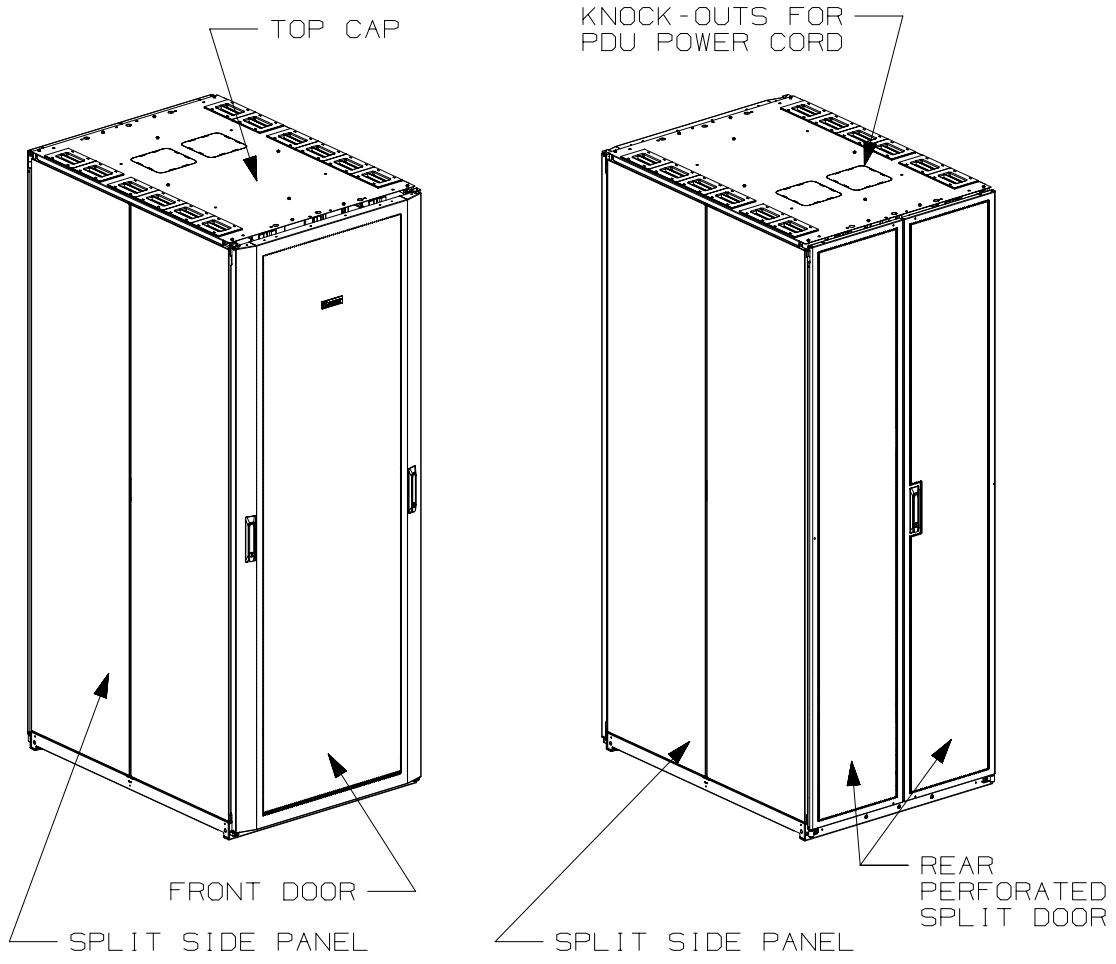


THIS COPY IS PROVIDED ON A RESTRICTED BASIS AND IS NOT TO BE USED IN ANY WAY DETRIMENTAL TO THE INTERESTS OF PANDUIT CORP.



1. VISIT OUR ON-LINE CATALOG AT WWW.PANDUIT.COM FOR A LIST OF CURRENT PARTS APPLICABLE FOR USE WITH THIS PRODUCT.
2. PRIMARY DIMENSIONS ARE IN MILLIMETERS.
3. INDEPENDENT ADJUSTABLE REAR EQUIPMENT MOUNTING RAILS (EIA) ADJUST FROM 130mm [5.1in] TO 327mm [12.87in] AND FROM 412mm [16.22in] TO 599mm [23.58in]. WITH NO FINGERS OR PDU'S, 761mm [29.96in] TO 812mm [31.96in].
4. CAN BE USED WITH ANY 19" EIA STANDARD COMPONENT IN ADDITION TO ALL PANDUIT HORIZONTAL CABLE MANAGEMENT AND PATCH PANEL PRODUCTS.
5. EIA UNIVERSAL STANDARD HOLE PROGRESSION ON EQUIPMENT RAILS 15.88mm [.625in], 15.88mm [.625in], 12.70mm [.5in], 15.88mm [.625in], 15.88mm [.625in], 12.7mm [.5in]...ETC.
6. PARTS SUPPLIED:  
 -BASE CABINET  
 OPTIONAL COMPONENTS:  
 -FRONT DOOR (SEE CHART ON SHEETS 2,3&4)  
 -REAR PERFORATED SPLIT DOOR (SEE CHART ON SHEETS 2,3&4)  
 -EQUIPMENT RAILS FRONT & REAR (SEE CHART ON SHEETS 2,3&4)  
 -SPLIT SIDE PANELS (SEE CHART ON SHEETS 2,3&4)  
 -VERTICAL CABLE MANAGEMENT FINGERS (SEE CHART ON SHEETS 2,3&4)  
 -CABINET HARDWARE KIT  
 -INSTRUCTION SHEET
7. RACK UNIT SPACING NUMERALS ARE CLEARLY PRINTED ON EQUIPMENT MOUNTING RAILS.
8. FULLY BONDED STRUCTURE WHEN ASSEMBLED PER INSTRUCTIONS.
9. STATIC LOAD RATING. 1360 Kg (3000 LBS)
10. ROLLING LOAD RATING. 1133 Kg (2500 LBS)
11. SINGLE POINT GROUND LOCATIONS AT TOP AND BOTTOM OF CABINET.
12. ALL CABINET RAILS ARE INSTALLED NUMBERS UP.
13. MAXIMUM EQUIPMENT DEPTH, 840mm [33.06].

REV	DATE	BY	CHK	APR	DESCRIPTION	ECN
O2A	8/20/2020	RAMA	ELE	ELE	REMOVED PART NUMBERS ENDING WITH G,L,O,S,J,M	V09000BX
O1A	12-12-14	PBS	ADP	TCN	FLOOR MOUNT DIMENSIONS UPDATED	V09000BX
OOD	1-09-14	MDCA	ROJC	JDWE	REVISED CHART	12V305LU-DC
OOC	12-10-13	MDCA	NAGL	JDWE	REVISED SHEET 5	12V305LU-DC
O0B	5-20-13	PBS	NAGL	JDWE	UPDATED CHART	12V305LU-DC
O0A	8-9-12	TWV	JDW	JDWE	RELEASED TO PRODUCTION	12V305LU-DC

TITLE		NET-ACCESS N TYPE CABINET 800mm WIDE X 1070mm DEEP FAMILY CUSTOMER DRAWING	
ITEM REVISION NAME		12V305LU/02.PRT	
DATASET FILE NAME		12V305LU_DC/02A.PRT	
MATERIAL:		N/A	
DRAWING NUMBER:		12V305LU-DC	
DRAWN BY		DATE	CHK
TWOV		8-9-12	JDW
SCALE		NONE	
THIRD ANGLE PROJECTION		SHT 1 OF 6	
SIZE		A	

THIS COPY IS PROVIDED ON A RESTRICTED BASIS AND IS NOT TO BE USED IN ANY WAY DETRIMENTAL TO THE INTERESTS OF PANDUIT CORP.

PART NO.	DESCRIPTION	DUAL HINGE DOOR	SPLIT DOOR	SINGLE HINGE DOOR	SPLIT SIDE PANEL	CAGE NUT E-RAIL (2-SETS)	TAPPED E-RAIL (2-SETS)	VERTICAL BLANKING PANELS	CABLE MANAGEMENT	CABINET WEIGHT FULLY UNPACKAGED	CABINET WEIGHT SHIPPING WEIGHT
N8212*	NET-ACCESS N-TYPE CABINET 42RUX1070mm DEEP	01	01	00	02	00	01	00	02	136 Kg/EACH 300 LBS/EACH	156 Kg/EACH 345 LBS/EACH
N8512*	NET-ACCESS N-TYPE CABINET 45RUX1070mm DEEP	01	01	00	02	00	01	00	02	143 Kg/EACH 315 LBS/EACH	163 Kg/EACH 360 LBS/EACH
N8812*	NET-ACCESS N-TYPE CABINET 48RUX1070mm DEEP	01	01	00	02	00	01	00	02	150 Kg/EACH 330 LBS/EACH	170 Kg/EACH 375 LBS/EACH
N8219*	NET-ACCESS N-TYPE CABINET 42RUX1070mm DEEP	01	01	00	00	00	01	00	02	101 Kg/EACH 222 LBS/EACH	121 Kg/EACH 267 LBS/EACH
N8519*	NET-ACCESS N-TYPE CABINET 45RUX1070mm DEEP	01	01	00	00	00	01	00	02	107 Kg/EACH 237 LBS/EACH	128 Kg/EACH 282 LBS/EACH
N8819*	NET-ACCESS N-TYPE CABINET 48RUX1070mm DEEP	01	01	00	00	00	01	00	02	114 Kg/EACH 252 LBS/EACH	135 Kg/EACH 297 LBS/EACH
N8212*C	NET-ACCESS N-TYPE CABINET 42RUX1070mm DEEP	01	01	00	02	01	00	00	02	133 Kg/EACH 294 LBS/EACH	154 Kg/EACH 339 LBS/EACH
N8512*C	NET-ACCESS N-TYPE CABINET 45RUX1070mm DEEP	01	01	00	02	01	00	00	02	140 Kg/EACH 309 LBS/EACH	160 Kg/EACH 354 LBS/EACH
N8812*C	NET-ACCESS N-TYPE CABINET 48RUX1070mm DEEP	01	01	00	02	01	00	00	02	147 Kg/EACH 324 LBS/EACH	167 Kg/EACH 369 LBS/EACH
N8219*C	NET-ACCESS N-TYPE CABINET 42RUX1070mm DEEP	01	01	00	00	01	00	00	02	99 Kg/EACH 218 LBS/EACH	119 Kg/EACH 263 LBS/EACH
N8519*C	NET-ACCESS N-TYPE CABINET 45RUX1070mm DEEP	01	01	00	00	01	00	00	02	104 Kg/EACH 230 LBS/EACH	125 Kg/EACH 275 LBS/EACH
N8819*C	NET-ACCESS N-TYPE CABINET 48RUX1070mm DEEP	01	01	00	00	01	00	00	02	111 Kg/EACH 245 LBS/EACH	131 Kg/EACH 290 LBS/EACH
N8212*E	NET-ACCESS N-TYPE CABINET 42RUX1070mm DEEP	00	01	01	02	01	00	00	02	136 Kg/EACH 300 LBS/EACH	156 Kg/EACH 345 LBS/EACH
N8512*E	NET-ACCESS N-TYPE CABINET 45RUX1070mm DEEP	00	01	01	02	01	00	00	02	143 Kg/EACH 315 LBS/EACH	163 Kg/EACH 360 LBS/EACH
N8812*E	NET-ACCESS N-TYPE CABINET 48RUX1070mm DEEP	00	01	01	02	01	00	00	02	150 Kg/EACH 330 LBS/EACH	170 Kg/EACH 375 LBS/EACH
N8219*E	NET-ACCESS N-TYPE CABINET 42RUX1070mm DEEP	00	01	01	00	01	00	00	02	100 Kg/EACH 220 LBS/EACH	120 Kg/EACH 265 LBS/EACH
N8519*E	NET-ACCESS N-TYPE CABINET 45RUX1070mm DEEP	00	01	01	00	01	00	00	02	105 Kg/EACH 232 LBS/EACH	126 Kg/EACH 277 LBS/EACH
N8819*E	NET-ACCESS N-TYPE CABINET 48RUX1070mm DEEP	00	01	01	00	01	00	00	02	111 Kg/EACH 244 LBS/EACH	131 Kg/EACH 289 LBS/EACH

\* DENOTES COLOR  
 "B" = BLACK  
 "W" = WHITE

TABLE CONTINUED ON SHEET 3

REV	DATE	BY	CHK	APR	DESCRIPTION	ECN	DRAWN BY	DATE	CHK	SCALE	SHT	OF	SIZE
02A	8/20/2020	RAMA	ELE	ELE	SEE SHEET 1 OF 6 FOR REVISIONS	V09000BX	TWV	8-9-12	JDW	NONE	2	7	A
01A	12-12-14	PBS	ADP	TCN	SEE SHEET 1 OF 7 FOR REVISIONS	V09000BX							
00D	1-09-14	MDCA	ROJC	JDWE	SEE SHEET 1 OF 7 FOR REVISIONS	12V305LU-DC							
00C	12-10-13	MDCA	NAGL	JDWE	SEE SHEET 1 OF 6 FOR REVISIONS	12V305LU-DC							
00B	5-20-13	PBS	NAGL	JDWE	SEE SHEET 1 OF 6 FOR REVISIONS	12V305LU-DC							
00A	8-9-12	TWV	JDW	JDWE	SEE SHEET 1 OF 6 FOR REVISIONS	12V305LU-DC							

TITLE  
 NET-ACCESS N TYPE CABINET  
 800mm WIDE X 1070mm DEEP FAMILY  
 CUSTOMER DRAWING

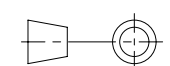
ITEM REVISION NAME  
 12V305LU/02.PRT

DATASET FILE NAME  
 12V305LU\_DC/02A.PRT

MATERIAL:  
 N/A

DRAWING NUMBER:  
 12V305LU-DC

THIRD ANGLE PROJECTION

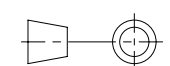


THIS COPY IS PROVIDED ON A RESTRICTED BASIS AND IS NOT TO BE USED IN ANY WAY DETRIMENTAL TO THE INTERESTS OF PANDUIT CORP.

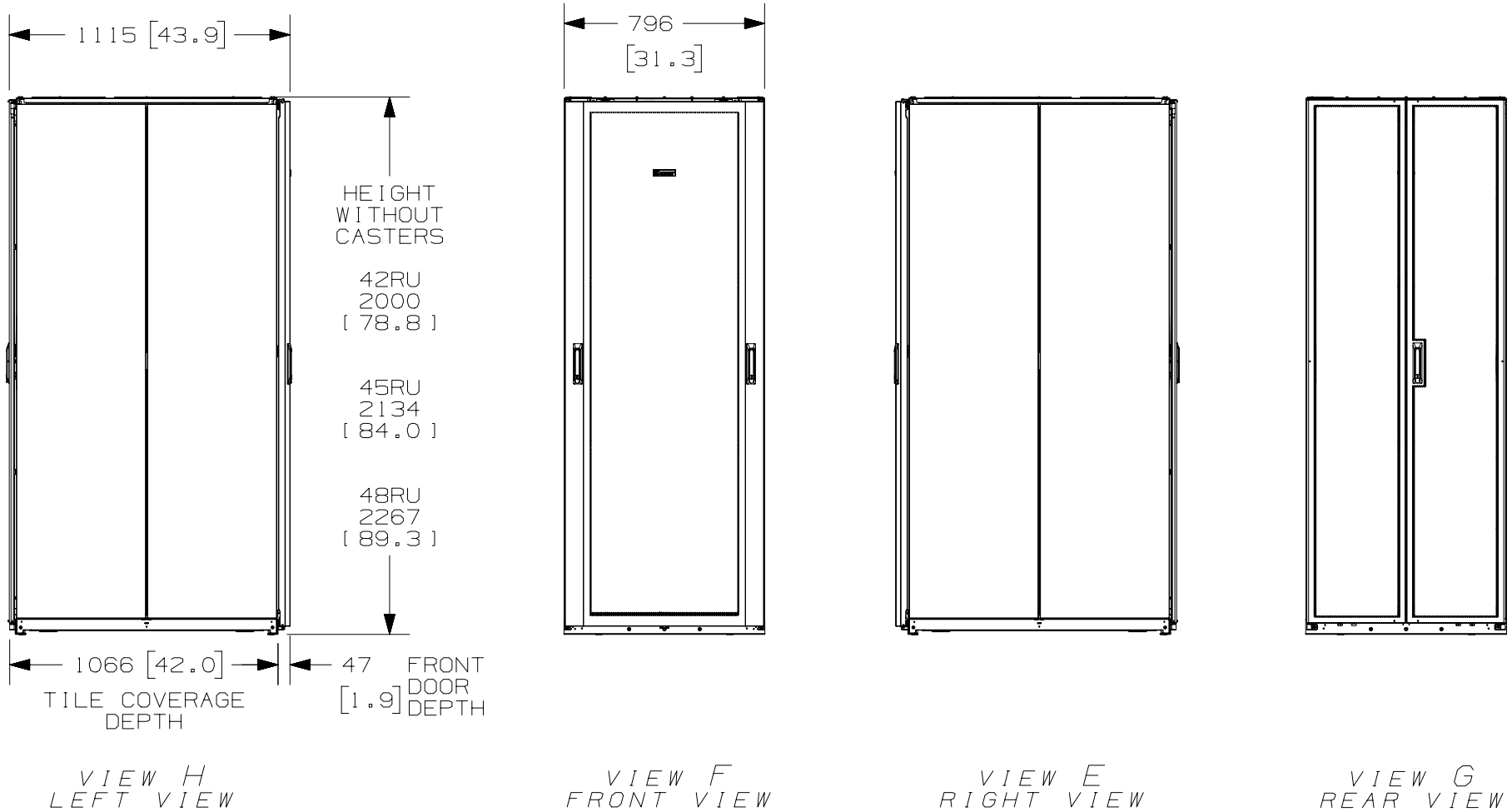
PART NO.	DESCRIPTION	DUAL HINGE DOOR	SPLIT DOOR	SINGLE HINGE DOOR	SPLIT SIDE PANEL	CAGE NUT E-RAIL (2-SETS)	TAPPED E-RAIL (2-SETS)	VERTICAL BLANKING PANELS	CABLE MANAGEMENT	CABINET WEIGHT FULLY UNPACKAGED	CABINET WEIGHT SHIPPING WEIGHT
N8212*U	NET-ACCESS N-TYPE CABINET 42RUX1070mm DEEP	01	01	00	02	01	00	01	02	136 Kg/EACH 300 LBS/EACH	156 Kg/EACH 345 LBS/EACH
N8512*U	NET-ACCESS N-TYPE CABINET 45RUX1070mm DEEP	01	01	00	02	01	00	01	02	143 Kg/EACH 315 LBS/EACH	163 Kg/EACH 360 LBS/EACH
N8812*U	NET-ACCESS N-TYPE CABINET 48RUX1070mm DEEP	01	01	00	02	01	00	01	02	150 Kg/EACH 330 LBS/EACH	170 Kg/EACH 375 LBS/EACH
N8219*U	NET-ACCESS N-TYPE CABINET 42RUX1070mm DEEP	01	01	00	00	01	00	01	02	101 Kg/EACH 222 LBS/EACH	121 Kg/EACH 267 LBS/EACH
N8519*U	NET-ACCESS N-TYPE CABINET 45RUX1070mm DEEP	01	01	00	00	01	00	01	02	107 Kg/EACH 237 LBS/EACH	128 Kg/EACH 282 LBS/EACH
N8819*U	NET-ACCESS N-TYPE CABINET 48RUX1070mm DEEP	01	01	00	00	01	00	01	02	114 Kg/EACH 252 LBS/EACH	135 Kg/EACH 297 LBS/EACH

\* DENOTES COLOR  
 "B" = BLACK  
 "W" = WHITE

REV	DATE	BY	CHK	APR	DESCRIPTION	ECN
02A	8/20/2020	RAMA	ELE	ELE	SEE SHEET 1 OF 6 FOR REVISIONS	V09000BX
01A	12-12-14	PBS	ADP	TCN	SEE SHEET 1 OF 7 FOR REVISIONS	V09000BX
00D	1-09-14	MDCA	ROJC	JDWE	SEE SHEET 1 OF 7 FOR REVISIONS	12V305LU-DC
00C	12-10-13	MDCA	NAGL	JDWE	SEE SHEET 1 OF 6 FOR REVISIONS	12V305LU-DC
00B	5-20-13	PBS	NAGL	JDWE	SEE SHEET 1 OF 6 FOR REVISIONS	12V305LU-DC
00A	8-9-12	TWV	JDW	JDWE	SEE SHEET 1 OF 6 FOR REVISIONS	12V305LU-DC

TITLE		NET-ACCESS N TYPE CABINET 800mm WIDE X 1070mm DEEP FAMILY	
ITEM REVISION NAME		CUSTOMER DRAWING	
DATASET FILE NAME		12V305LU/02.PRT	
MATERIAL:		N/A	
DRAWING NUMBER:		12V305LU-DC	
DRAWN BY		CHK	SCALE
TWV	DATE	JDW	NONE
	8-9-12		
THIRD ANGLE PROJECTION			
SHT 3 OF 6		SIZE	
		A	

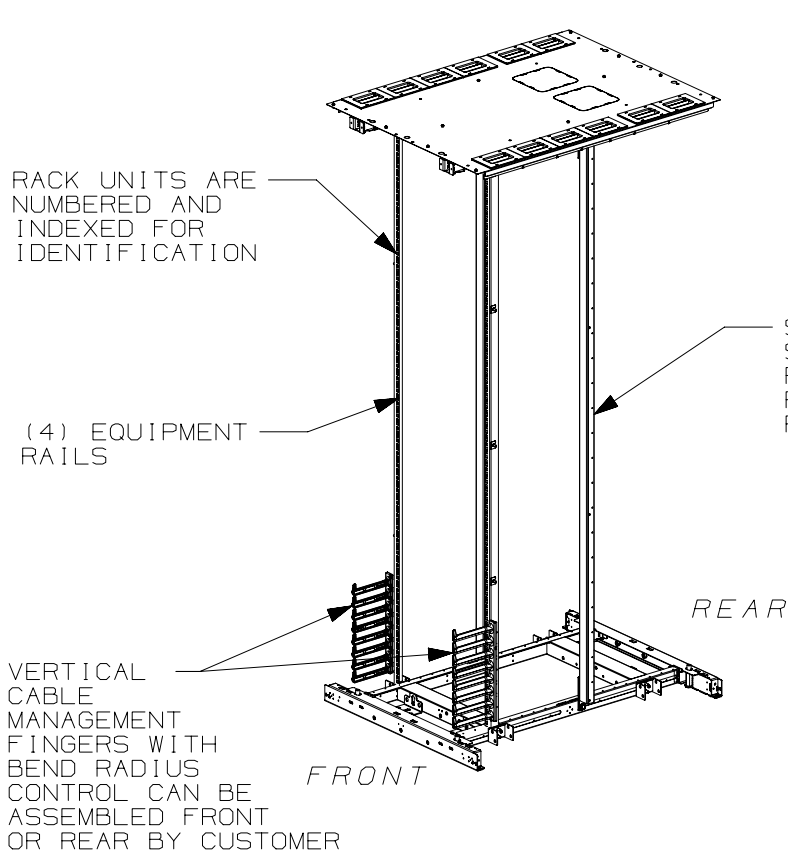
THIS COPY IS PROVIDED ON A RESTRICTED BASIS AND IS NOT TO BE USED IN ANY WAY DETRIMENTAL TO THE INTERESTS OF PANDUIT CORP.



REV	DATE	BY	CHK	APR	DESCRIPTION	ECN
O2A	8/20/2020	RAMA	ELE	ELE	SEE SHEET 1 OF 6 FOR REVISIONS	V09000BX
O1A	12-12-14	PBS	ADP	TCN	SEE SHEET 1 OF 7 FOR REVISIONS	V09000BX
OOD	1-09-14	MDCA	ROJC	JDWE	SEE SHEET 1 OF 7 FOR REVISIONS	12V305LU-DC
OOC	12-10-13	MDCA	NAGL	JDWE	SEE SHEET 1 OF 6 FOR REVISIONS	12V305LU-DC
O0B	5-20-13	PBS	NAGL	JDWE	SEE SHEET 1 OF 6 FOR REVISIONS	12V305LU-DC
O0A	8-9-12	TWV	JDW	JDWE	SEE SHEET 1 OF 6 FOR REVISIONS	12V305LU-DC

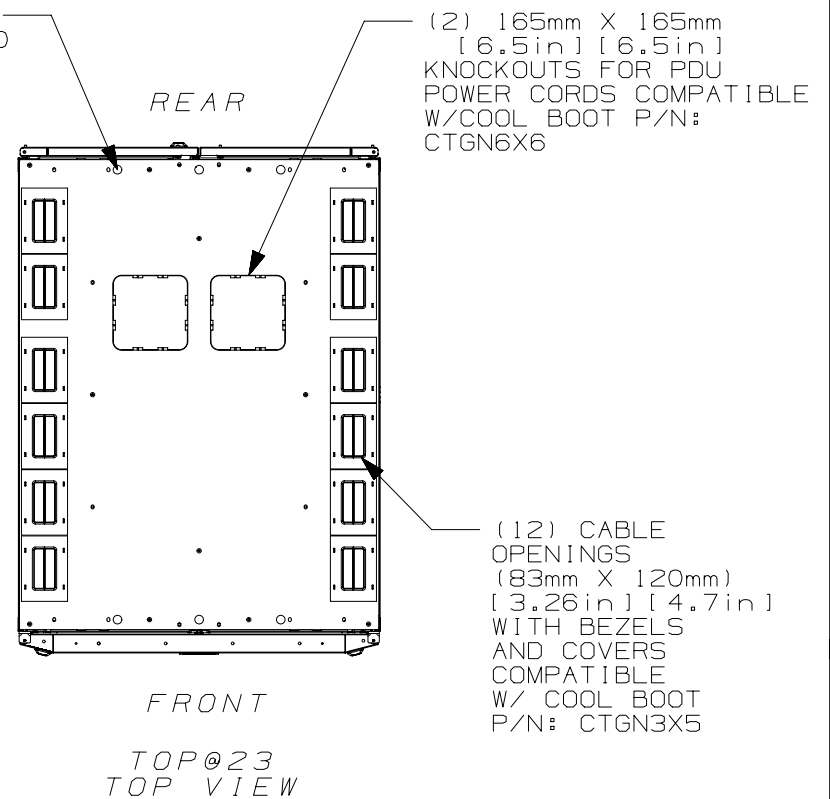
TITLE		NET-ACCESS N TYPE CABINET 800mm WIDE X 1070mm DEEP FAMILY	
		CUSTOMER DRAWING	
ITEM REVISION NAME		12V305LU/02.PRT	
DATASET FILE NAME		12V305LU_DC/02A.PRT	
MATERIAL:		N/A	
DRAWING NUMBER:		12V305LU-DC	
DRAWN BY	DATE	CHK	SCALE
TWV	8-9-12	JDW	NONE
THIRD ANGLE PROJECTION		SHT 4 OF 6	
SIZE		A	

THIS COPY IS PROVIDED ON A RESTRICTED BASIS AND IS NOT TO BE USED IN ANY WAY DETRIMENTAL TO THE INTERESTS OF PANDUIT CORP.



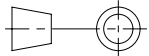
SEE NOTES ON SHEET 1 FOR REAR EQUIPMENT RAIL ADJUSTMENT RANGE

(6) LOCATIONS TAPPED FOR M10 THREADED ROD

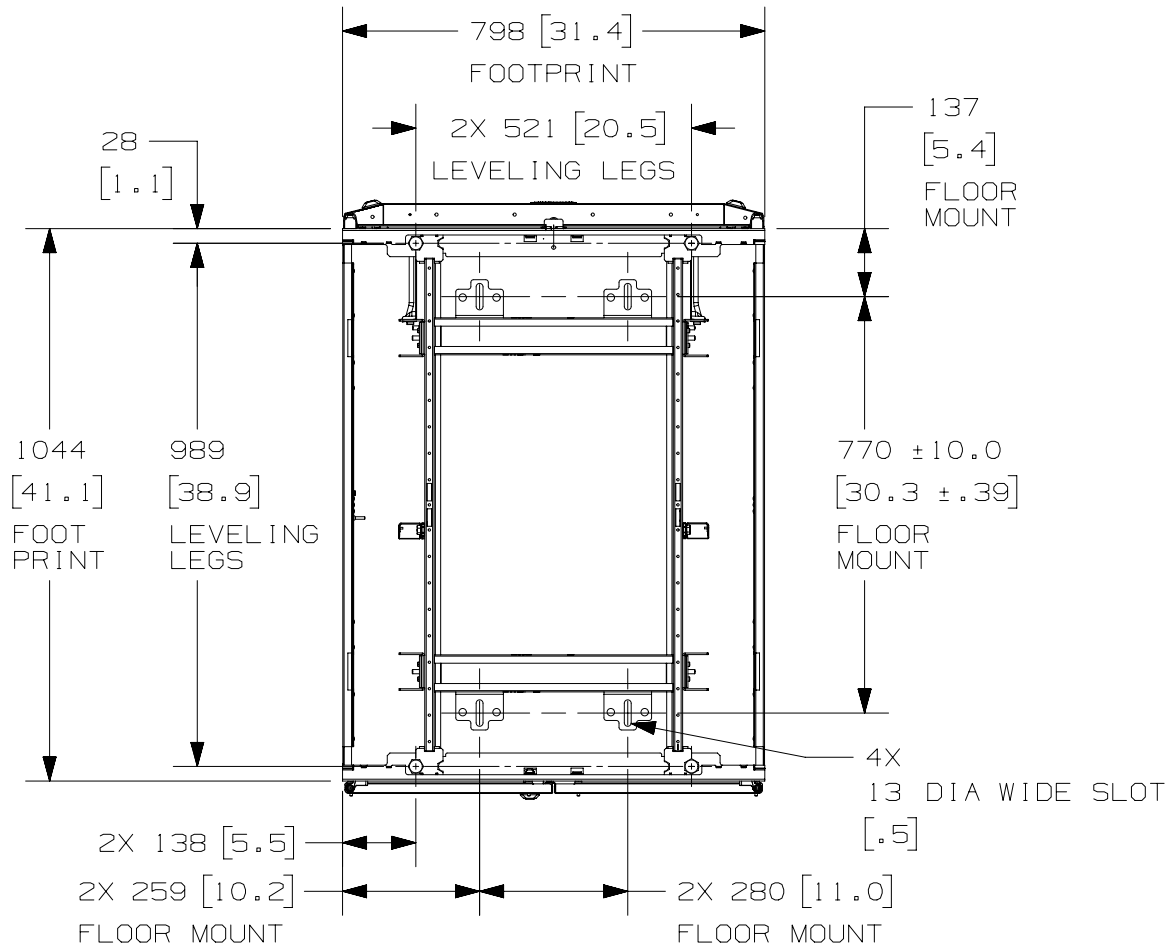


FRONT DOOR, REAR DOOR, AND SIDE PANELS NOT SHOWN

REV	DATE	BY	CHK	APR	DESCRIPTION	ECN
O2A	8/20/2020	RAMA	ELE	ELE	SEE SHEET 1 OF 6 FOR REVISIONS	V09000BX
O1A	12-12-14	PBS	ADP	TCN	SEE SHEET 1 OF 7 FOR REVISIONS	V09000BX
OOD	1-09-14	MDCA	ROJC	JDWE	SEE SHEET 1 OF 7 FOR REVISIONS	12V305LU-DC
OOC	12-10-13	MDCA	NAGL	JDWE	SEE SHEET 1 OF 6 FOR REVISIONS	12V305LU-DC
O0B	5-20-13	PBS	NAGL	JDWE	SEE SHEET 1 OF 6 FOR REVISIONS	12V305LU-DC
O0A	8-9-12	TWV	JDW	JDWE	SEE SHEET 1 OF 6 FOR REVISIONS	12V305LU-DC

TITLE				NET-ACCESS N TYPE CABINET 800mm WIDE X 1070mm DEEP FAMILY	
				CUSTOMER DRAWING	
ITEM REVISION NAME		12V305LU/02.PRT		<b>PANDUIT</b>	
DATASET FILE NAME		12V305LU_DC/02A.PRT			
MATERIAL:				N/A	
DRAWING NUMBER:				12V305LU-DC	
DRAWN BY	DATE	CHK	SCALE	THIRD ANGLE PROJECTION	
TWV	8-9-12	JDW	NONE		
SHT 5 OF 6			SIZE	A	

THIS COPY IS PROVIDED ON A RESTRICTED BASIS AND IS NOT TO BE USED IN ANY WAY DETRIMENTAL TO THE INTERESTS OF PANDUIT CORP.



REAR OF CABINET  
BOTTOM VIEW

FLOOR MOUNTING HOLE LOCATIONS -  
SOME PARTS REMOVED FOR CLARITY

REV	DATE	BY	CHK	APR	DESCRIPTION	ECN
O2A	8-20-2020	RAMA	ELE	ELE	SEE SHEET 1 OF 6 FOR REVISIONS	V09000BX
O1A	12-12-14	PBS	ADP	TCN	SEE SHEET 1 OF 7 FOR REVISIONS	V09000BX
OOD	1-09-14	MDCA	ROJC	JDWE	SEE SHEET 1 OF 7 FOR REVISIONS	12V305LU-DC
OOC	12-10-13	MDCA	NAGL	JDWE	SEE SHEET 1 OF 6 FOR REVISIONS	12V305LU-DC
O0B	5-20-13	PBS	NAGL	JDWE	SEE SHEET 1 OF 6 FOR REVISIONS	12V305LU-DC
O0A	8-9-12	TWV	JDW	JDWE	SEE SHEET 1 OF 6 FOR REVISIONS	12V305LU-DC

TITLE		NET-ACCESS N TYPE CABINET 800mm WIDE X 1070mm DEEP FAMILY	
ITEM REVISION NAME		CUSTOMER DRAWING	
DATASET FILE NAME		12V305LU/02.PRT	
		12V305LU_DC/02A.PRT	
MATERIAL:		N/A	
DRAWING NUMBER:		12V305LU-DC	
THIRD ANGLE PROJECTION			
DRAWN BY	DATE	CHK	SCALE
TWV	8-9-12	JDW	NONE
SHT 6 OF 6		A	

2

1