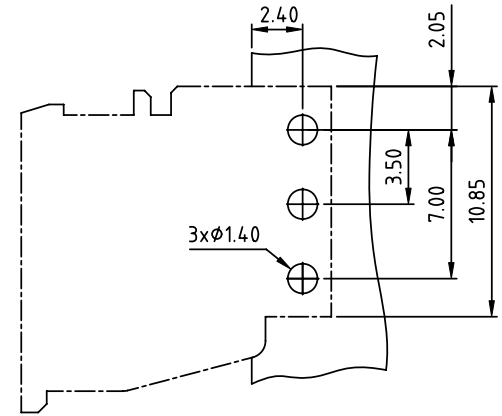
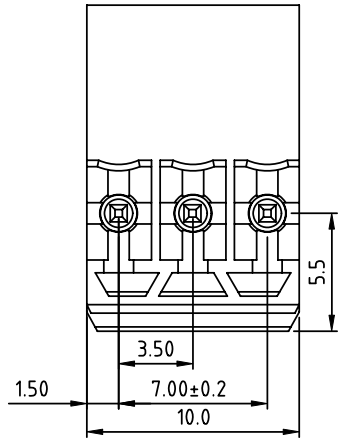


PRODUCT NUMBER	PITCH
EU0310x000J0G	3.50 mm



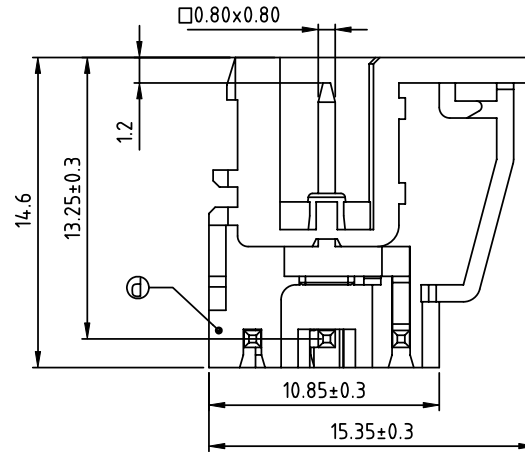
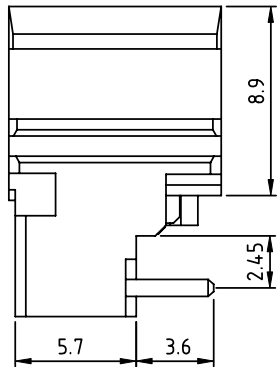
RECOMMENDED P.C.B LAYOUT
TOP VIEW

Material:

- ItemⒶPin-01: Copper, Tin plated
- ItemⒷPin-02: Copper, Tin plated
- ItemⒸPin-03: Copper, Tin plated
- ItemⒹTerminal(housing): Thermoplastic (UL94V-0)

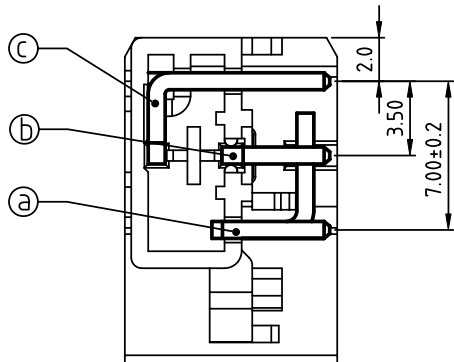
Electrical:

- Voltage rating: 300V
- Current rating: 10A
- Withstanding Voltage: 1.6 KV
- Operating temperature: -40°C to +115°C
- Soldering temperature: 260°C±5°C/5 Sec
- Safety Approval: cULus



PART NO.: EU 03 10 x 0 00J0 G

- | | |
|---------------------|-----------------|
| Color | RoHS compliant |
| 0 Black (RAL9005) | (lead<4%) |
| 2 Red (RAL3001/D) | In copper Alloy |
| 3 Orange(RAL2011/P) | |
| 4 Yellow(RAL1018/A) | |
| 5 Green(RAL6018/T) | |
| 6 Blue (RAL5015/A) | |
| 8 Grey(RAL7035/D) | |
| 9 White(RAL1102) | |
| C Green(RAL6018/U) | |



mat'l. code		surface ASME Y14.5	tolerance ASME Y14.5	projection	product family TERMINAL BLOCK
ltr	ecn no	dr	date	tolerances unless otherwise specified	title
				angles ⊕	TERMINAL BLOCK
				⊖	PLUGGABLE SOCKET, RIGHT TYPE
				X±1°	scale
				dr EVIN ZHONG 050914	dwg no
				enr EVIN ZHONG 050914	sheet 1 of 1
				chr HANKE FENG 050914	size
				appd SHI JUN 050914	A4
sheet index	revision sheet	A	1	FCI	type CUSTOMER Drawing