



RoHS Compliant

PRODUCT SPECIFICATION

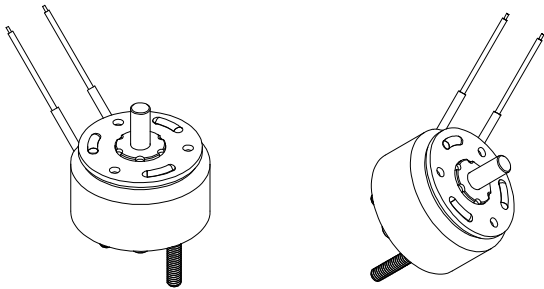
PAGE : 1/2

PART No.	VOLTAGE	STROKE(°)	DUTY CYCLE*	POWER (W)	DCR (Ω)	START TORQUE (N*m)
DSRS-0640-13-45D	13 VDC	45°	50%	14	12.0	0.035
DSRS-0640-15-45D	15 VDC	45°	30%	24	9.0	0.250
DSRS-0640-18-45D	18 VDC	45°	12.5%	53	5.8	0.400
DSRS-0640-26-45D	26 VDC	45°	4%	178	3.8	0.650

SPRING RETURN TORQUE: 0.016~0.024 N*m

* PROPERTY VALUES ARE ±10% AT 20°C

1. MECHANICAL DIMENSIONS:

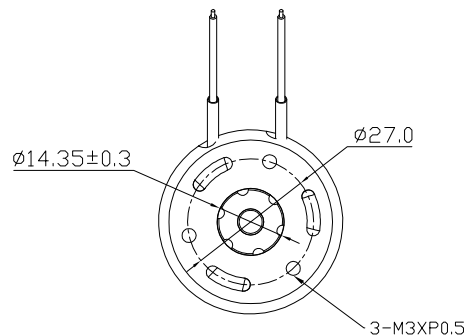
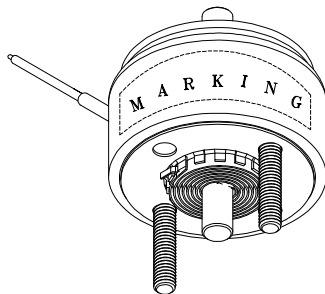
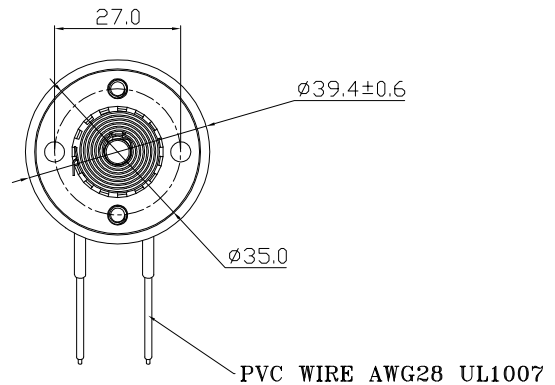
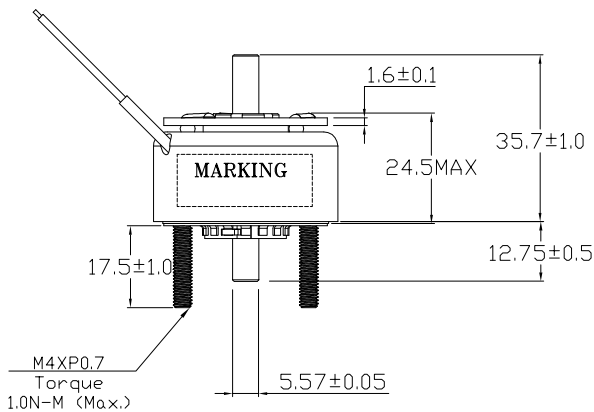
UNIT : mm
UNLESS TOLERANCES.

X = ±0.5

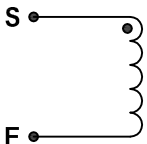
X.X = ±0.3

DRAWING SHOWN SOLENOID AT INITIAL POSITION

ANGLES = ±0.5°



2. SCHEMATIC :



MARKING:

DECT : DELTA CHACHOENGSARO THAILAND
PLANT

YY : THE LAST 2 DIGIT OF YEAR

WW : WEEK

DD : DATE OF WINDING PROCESS

LL : LINE NO. OF WINDING

A : SAMPLE REVISION

INSULATION MATERIALS: UL CONSTRUCTION, CLASS B 130°C
LIFE EXPECTANCY: 100K CYCLES OPERATIONS

$$* \text{Duty cycle} = \frac{\text{"ON" TIME}}{\text{"ON" TIME} + \text{"OFF" TIME}} \times 100 \%$$

LAYER TEST	IR. @500 Vdc.	HI-POT
(S-F) : 2KVp. MIN.	COIL TO CASE	@50/60Hz., 2mA
TEST ONLY COIL	10 MOHM MIN.	COIL TO CASE
		600Vac., 2s



RoHS Compliant

PRODUCT SPECIFICATION

PAGE : 2/2

3.CHARACTERISTICS:

3.1 ELECTRICAL REQUIREMENTS

3.1.1 DIELECTRIC STRENGTH (COIL TO METAL FRAME) · 600 Vac., 2 sec. @ 50/60HZ.,5mA.

3.1.2 INSULATION RESISTANCE (COIL TO METAL FRAME) · 10 MEGA-OHM MINIMUM @ 500Vdc.

3.1.3 SPRING RETURN TORQUE · 0.016~0.024 N · M

3.1.4 DUTY CYCLE SETTING BY NOMINAL VOLTAGE ·

P/N	DUTY CYCLE* FOR On/Off TIME
DSRS-0640-13-45D	5 sec. On Max.; 5 sec. Off Min.
DSRS-0640-15-45D	3 sec. On Max.; 7 sec. Off Min.
DSRS-0640-18-45D	1.25 sec. On Max.; 8.75 sec. Off Min.
DSRS-0640-26-45D	0.4 sec. On Max.; 9.6 sec. Off Min.

3.2 MISCELLANEOUS REQUIREMENTS

3.2.1 WORKING STROKE · 0° TO 45°. C.W

3.2.2 WORKING RELATIVE HUMIDITY · 0% TO 58%RH

3.2.3 WORKING TEMPERATURE · -40° C TO 65° C

3.2.4 STORAGE TEMPERATURE · -40° C TO 65° C

3.3 SAFETY REQUIREMENTS

3.3.1 SOLENOID COMPLY WITH "RoHS"

4. OPERATION INSTRUCTION FOR EXTRA APPLICATION.

WITH SOLENOID AT AMBIENT ROOM TEMPERATURE 20°C

DUTY CYCLE* FOR ON TIME Max. AND VOLTAGE INPUT									
P/N	Duty	100%	50%	30%	25%	12.5%	10%	5%	4%
	sec.	∞	5.0	3.0	2.5	1.25	1.0	0.5	0.4
DSRS-0640-13-45D	VDC (Nom.)	9.0	13.0	16.6	18.2	25.8	28.8	40.7	45.6
DSRS-0640-15-45D	VDC (Nom.)	8.0	11.5	15.0	16.0	22.7	25.5	36.0	40.0
DSRS-0640-18-45D	VDC (Nom.)	6.5	9.1	11.9	12.8	18.0	20.3	28.7	32.2
DSRS-0640-26-45D	VDC (Nom.)	5.2	7.4	9.6	10.4	14.5	16.5	23.3	26.0

$$*Duty\ cycle = \frac{"ON" TIME}{"ON" TIME + "OFF" TIME} \times 100\%$$