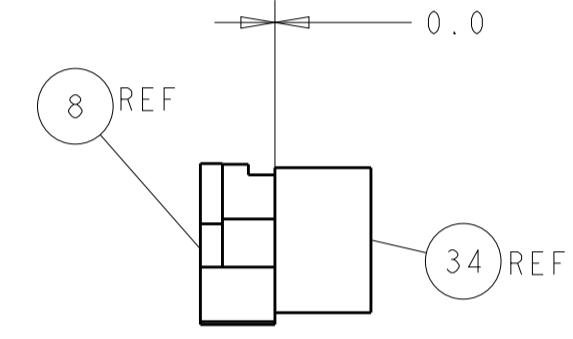
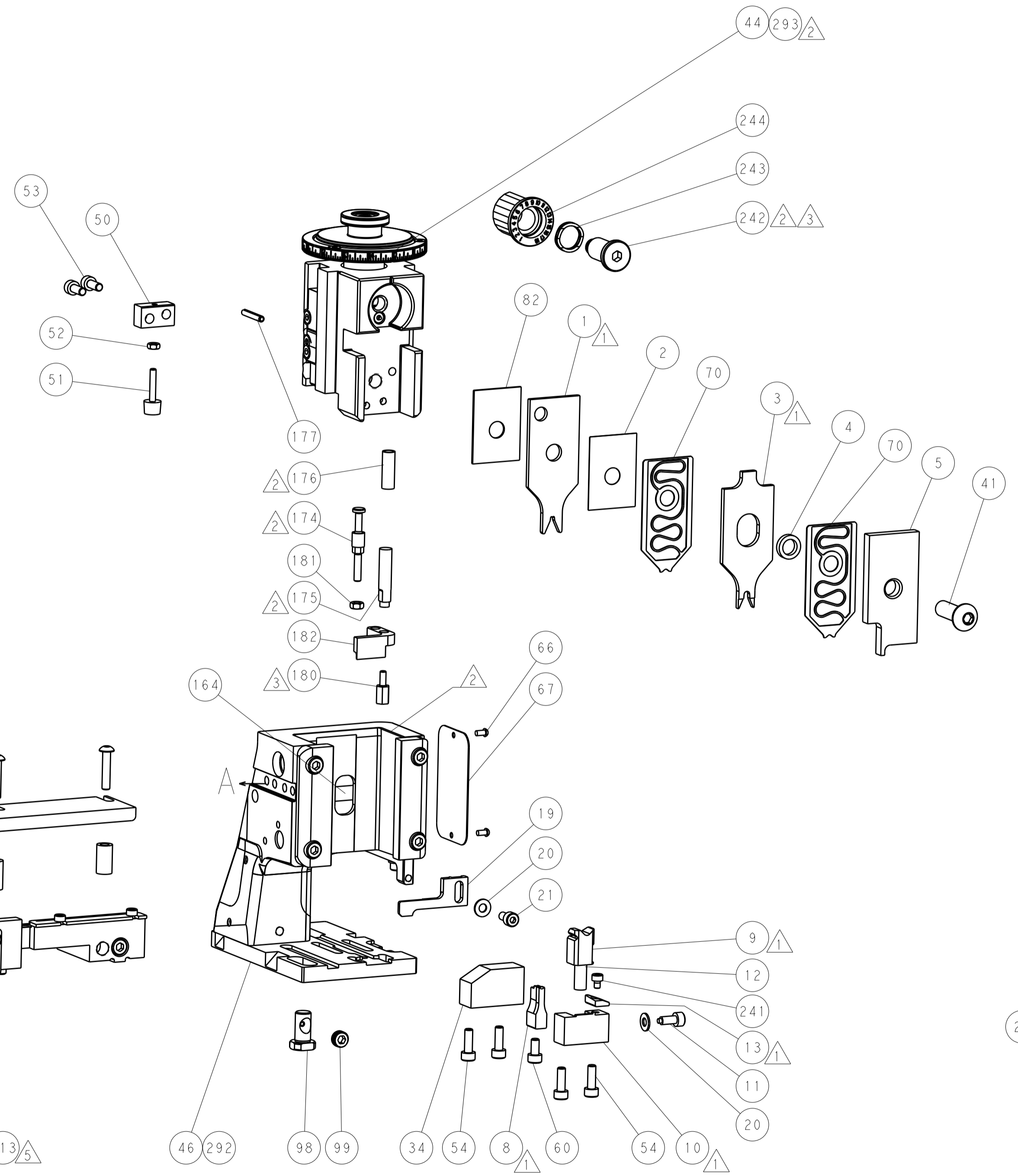
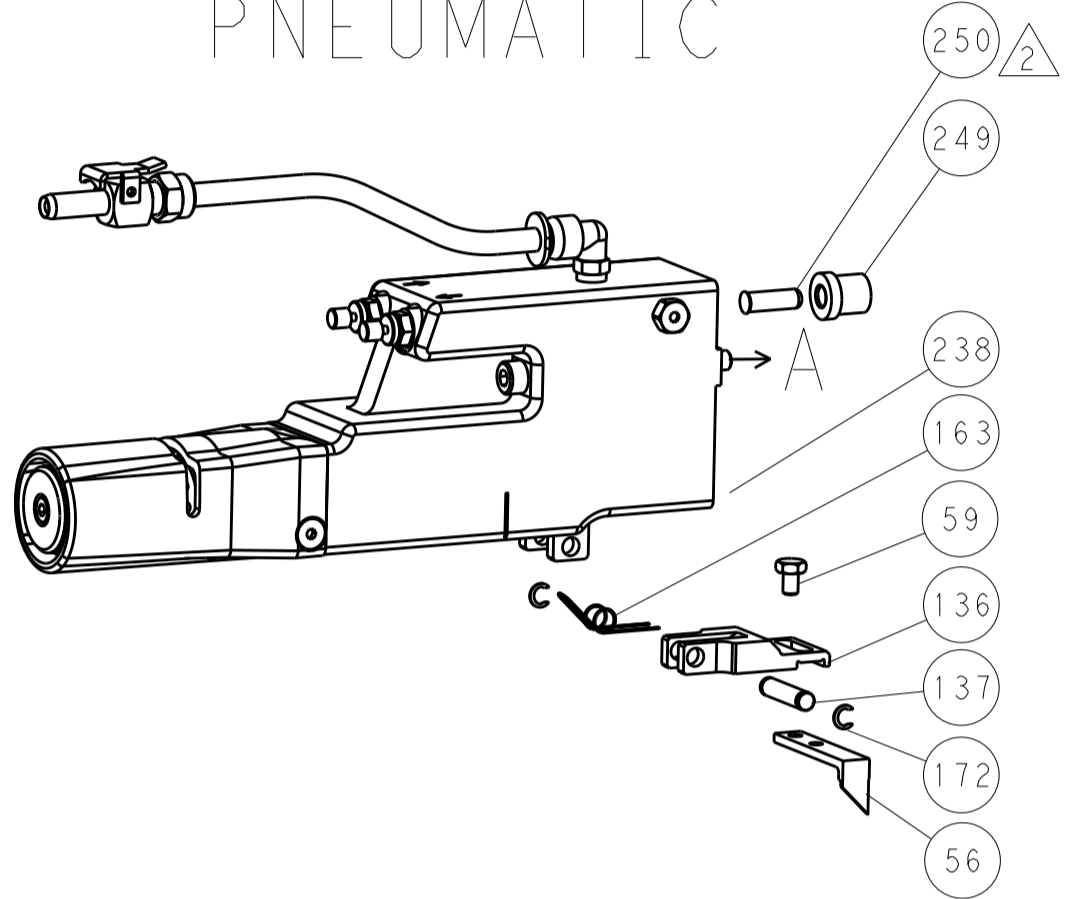


LOC		DIST		REVISIONS			
REV	DATE	BY	CHK	DESCRIPTION	DATE	OWN	APVD
A	66			SEE SHEET 1			

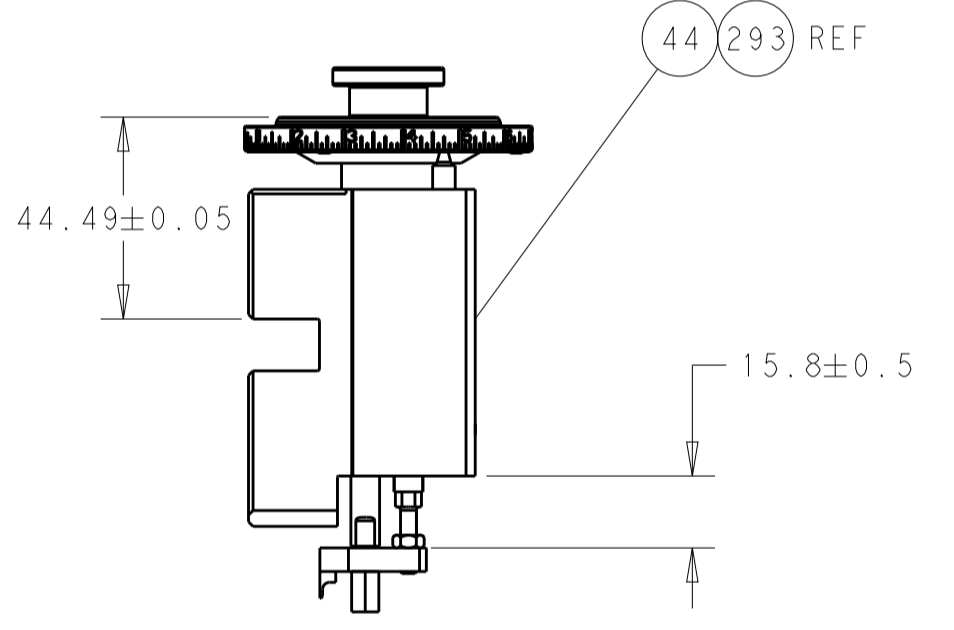
FEED TYPE MECHANICAL



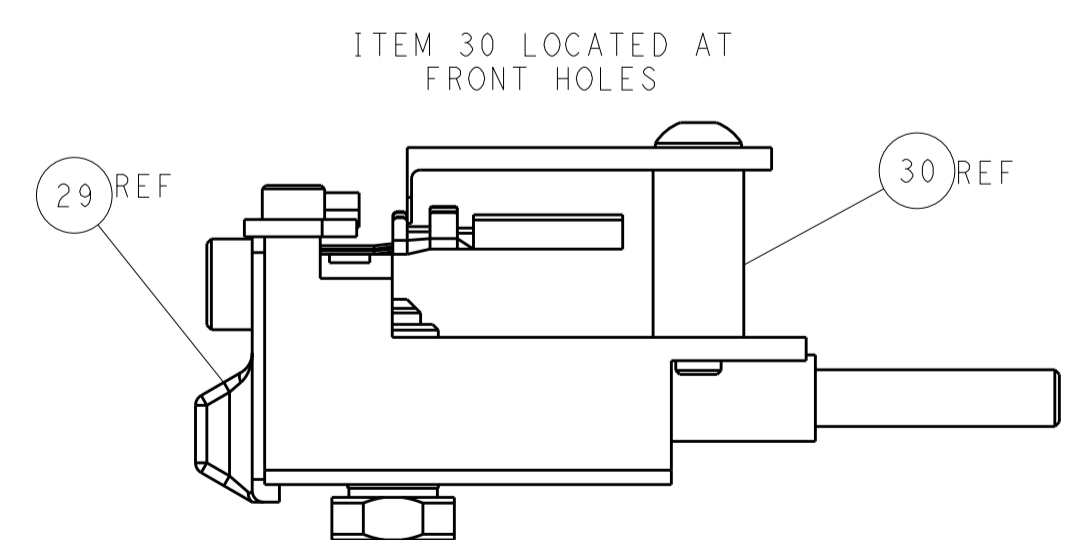
PNEUMATIC



TERMINAL SUPPORT LOCATION

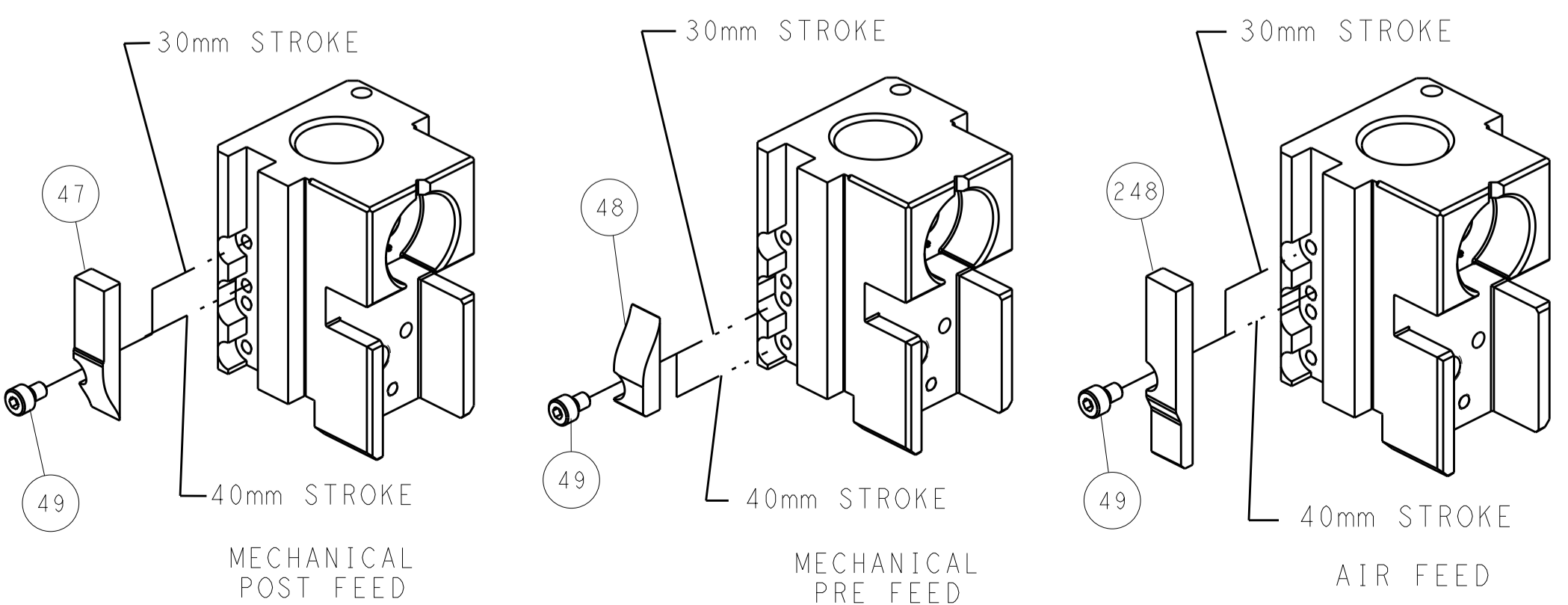


RAM SET-UP



FEED TRACK POSITION GUIDE BY INSULATION BARREL

CAM POSITIONS

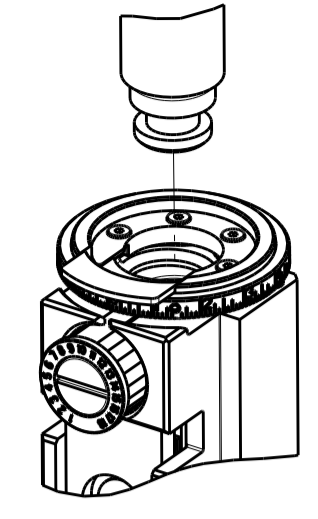


ATLANTIC VERSION
 Shown on sheets 1 of 4 & 2 of 4
 (Pacific version shown on sheets 3 of 4 & 4 of 4)

DIMENSIONS:		TOLERANCES UNLESS OTHERWISE SPECIFIED:		OWN: R. KNEPPER 23AUG2013		TE Connectivity	
mm	0 PLC ±	1 PLC ±	2 PLC ±	3 PLC ±	4 PLC ±	5 PLC ±	Harrisburg, PA 17105-3608
MATERIAL:		FINISH:		CHK: G. BAILEY 23AUG2013		NAME: Ocean Side Feed Applicator	
				APVD: M. CLIFFORD 23AUG2013		SIZE: CAGE CODE: DRAWING NO: A1 00779 ©=2266100	
				PRODUCT SPEC:		RESTRICTED TO:	
				APPLICATION SPEC:		Customer Accessible Production Drawing	
				WEIGHT:		SCALE: 1:2 SHEET 2 OF 4 REV C1	

PART NUMBER	REVISION	DESCRIPTION	FEED TYPE
2-2266100-1	C	FINE CRIMP HEIGHT ADJUST	MECHANICAL
2-2266100-2	C	FINE CRIMP HEIGHT ADJUST	PNEUMATIC
7-2266100-7	B	CRIMP TOOLING KIT	-
7-2266100-8	B	APPLICATOR CONVERSION KIT	-

PACIFIC VERSION TERMINATOR INTERFACE ADAPTER



APPLICATOR DATA		
CRIMP	SIZE	TYPE
WIRE	2.29 mm [.090]	F
INSUL	3.20 mm [.126]	O

APPLICATOR INSTRUCTIONS
408-35042

APPLICATOR CONVERSION KITS	
PART NUMBER	INSULATION DIAMETER RANGE
7-2266100-8	Ø 3.05-3.81mm [.120-.150]
7-2266101-8	Ø 2.67-3.02mm [.105-.119]
7-2266102-8	Ø 2.26-2.64mm [.089-.104]
7-2266103-8	Ø 1.93-2.24mm [.076-.088]
7-2266104-8	Ø 1.60-1.91mm [.063-.075]

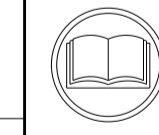
TERMINAL DATA: DEUTSCH TERMINAL TE CRIMP SPECIFICATION	
TERMINAL NAME: STAMPED CONTACT PIN SIZE 16	
WIRE STRIP LENGTH 3.81-5.09 mm [.150-.200 IN]	INSULATION DIAMETER RANGE Ø 3.05-3.81 mm [.120-.150 IN]
TERMINAL APPLICATION SPECIFICATION 114-151000	-

TERMINAL DATA: DEUTSCH TERMINAL TE CRIMP SPECIFICATION	
TERMINAL NAME: STAMPED CONTACT SOCKET SIZE 16	
WIRE STRIP LENGTH 3.81-5.09 mm [.150-.200 IN]	INSULATION DIAMETER RANGE Ø 3.05-3.81 mm [.120-.150 IN]
TERMINAL APPLICATION SPECIFICATION 114-151000	-

TERMINALS APPLIED			
TE TERMINAL	DEUTSCH TERMINAL	TE TERMINAL	DEUTSCH TERMINAL
286505-1	1060-14-0122	286505-2	1060-14-0144
286505-3	1060-14-0177	286505-5	1060-14-1077
286505-6	1060-14-1088	286503-1	1060-16-0122
286503-2	1060-16-0144	286503-3	1060-16-0177
286503-7	1060-16-0722	286503-8	1060-16-0744
286503-9	1060-16-0777	1-286503-1	1060-16-0977
1-286503-2	1060-16-0988	1-286503-4	AT60-16-0122
1-286503-5	AT60-16-0144		

TERMINALS APPLIED			
TE TERMINAL	DEUTSCH TERMINAL	TE TERMINAL	DEUTSCH TERMINAL
286506-1	1062-14-0122	286506-2	1062-14-0144
286506-3	1062-14-0177	286506-6	1062-14-1088
286506-5	1062-14-1077	286504-2	1062-16-0144
286504-1	1062-16-0122	286504-7	1062-16-0722
286504-3	1062-16-0177	286504-9	1062-16-0777
286504-8	1062-16-0744	1-286504-2	1062-16-0988
1-286504-1	1062-16-0977	1-286504-6	AT62-16-0144
1-286504-5	AT62-16-0122		

WIRE SIZE	CRIMP HEIGHT mm [INCH]	CRIMP HEIGHT REFERENCE SETTING
14 AWG	1.40+0.03/-0.05 [.055+.001/- .002]	4.6
2.00mm2	1.40+0.03/-0.05 [.055+.001/- .002]	4.6
1.50mm2	1.35+0.03/-0.05 [.053+.001/- .002]	5.2
16 AWG	1.27+0.03/-0.05 [.050+.001/- .002]	6.0
1.00mm2	1.27+0.03/-0.05 [.050+.001/- .002]	6.0
18 AWG	1.24+0.03/-0.05 [.049+.001/- .002]	6.2
0.75mm2	1.22+0.03/-0.05 [.048+.001/- .002]	6.4



- 1 RECOMMENDED SPARE PARTS
- 2 REFER TO SUPPLIED INSTRUCTION SHEET FOR CLEANING, LUBRICATION AND STORAGE OF APPLICATOR.
- 3 APPLY PART NUMBER 2-23419-6 LOCTITE TO THREADS OF ITEM 242.
- 4 CRIMP HEIGHT REFERENCE SETTING WAS THE SETTING USED WHEN THE APPLICATOR WAS QUALIFIED AT THE FACTORY. ADJUSTMENT MAY BE NECESSARY WHEN RUNNING APPLICATOR IN THE FIELD.
- 5 TERMINAL LUBRICANT IS RECOMMENDED.
- 6. UNLESS SPECIFIED OTHERWISE TORQUE VALUES SHALL BE USED PER DOCUMENT, 101-35000.
- 7 SEE APPROPRIATE APPLICATOR LOG SHEETS FOR APPLIED TERMINALS, WIRE RANGE AND MEMORY CHIP.

***WARNING**
ON INSTALLATION, SET WIRE DISC TO CRIMP HEIGHT REFERENCE SETTING FOR LARGEST WIRE SIZE. CRIMP HEIGHT REFERENCE SETTINGS GREATER THAN THE VALUE SHOWN MAY CAUSE DAMAGE TO THE CRIMP TOOLING. REFER TO THE INSTRUCTION SHEET FOR PROPER SETUP AND ADJUSTMENTS.

PACIFIC VERSION
Shown on sheets 3 of 4 & 4 of 4
(Atlantic version shown on sheets 1 of 4 & 2 of 4)

LOC	DIST	REV	DATE	BY	CHK	APPV
A	66					

REVISIONS						
REV	DATE	DESCRIPTION	DATE	BY	CHK	APPV
-	-	SEE SHEET 1	-	-	-	-
-	-	1	-	2119640-1	PUSH ROD, AIR FEED	250
-	-	1	-	1803259-1	BUSHING, FLANGED	249
-	-	1	1	2119082-9	CAM, SNAIL, INSULATION ADJUSTMENT	244
-	-	1	1	2079764-1	WASHER, WAVE SPRING, CREST-TO-CREST	243
-	-	1	1	2119083-1	RETAINER, INSULATION DIAL	242
-	-	1	1	7-18023-7	SCR, SKT HD CAP M3 X 4.0	241
-	-	-	1	2119580-1	MECHANICAL FEED ASSEMBLY	239
-	-	1	-	2063440-1	AIR FEED MODULE	238
-	-	2	-	21045-3	RING, RETAIN, EXTERN, 3/16 CRESCENT	172
-	-	REF	REF	994970-2	COUNTER, MAGNETIC	164
-	-	1	-	240638-1	SPRING, FEED FINGER	163
-	-	1	-	2119641-2	FEED CAM, AIR FEED	151
-	-	1	1	2168083-8	SCR, SKT HD CAP, RoHS, M4 X 16	144
-	-	4	4	2168083-9	SCR, SKT HD CAP, RoHS, M4 X 20	143
-	-	-	1	2119653-2	FEED CAM, POST FEED	142
-	-	1	1	1-1803583-0	APPLICATOR BASIC ASSEMBLY, SF	141
-	-	1	1	1803516-1	RAM ASSEMBLY, SF PACIFIC	140
-	-	1	-	3-23627-7	PIN, RETAIN, GRVD, 3/16 X .854	137
-	-	1	-	2119799-1	HOLDER, FEED FINGER, AF	136
-	-	1	1	2119955-1	ASSY, LUBRICATOR, SIDE FEED	113
-	-	1	1	2844908-1	SCREW, LOCKING	99
-	-	1	1	2844907-1	POST, LOCKING	98
1	-	1	1	455888-8	SPACER, CRIMPER	82
1	-	-	-	2266100	PRINT, APPLICATOR LOG SHEET	72
-	-	1	1	1803607-1	DOCUMENTATION PACKAGE	71
-	-	2	2	2119791-9	DEPRESSOR, WIRE	70
-	-	1	1	2119740-1	TAG, IDENTIFICATION	67
-	-	2	2	2168078-1	SCREW, DRIVE, RH, RoHS, 2 x .188	66
-	-	1	1	5-18022-5	SCR, HEX HD CAP, M4 X 6.0	59
-	-	1	1	1338685-1	PAWL, FEED	56
-	-	2	2	1-2168083-0	SCR, SKT HD CAP, RoHS, M4 X 10	53
-	-	1	1	5018030-1	NUT, HEX, REG, RoHS, M3	52
-	-	1	1	811242-5	BUMPER, HOLD DOWN	51
-	-	1	1	690753-2	SPACER, TONKER	50
-	-	1	2	18023-9	SCR, SKT HD CAP M4 X 6.0	49
-	-	-	1	2119652-1	FEED CAM, PRE FEED	48
-	-	1	1	1803602-1	SCR, BHSC, RoHS (M8 X 25)	41
-	-	1	1	2-1752356-0	SUPPORT, TERMINAL	34
-	-	2	2	2079383-5	SCR, BHSC, RoHS (M4 X 20)	33
-	-	2	2	2-2844962-8	SPACER, CYLINDRICAL, STRIP GUIDE	30
-	-	1	1	2844992-1	ASSEMBLY, STRIP GUIDE	29
-	-	1	1	1320928-2	STRIP GUIDE	24
-	-	1	1	2168083-2	SCR, SKT HD CAP, RoHS, M4 X 8.0	21
-	-	2	2	1-18028-2	WASHER, FLAT, REG M4	20
-	-	1	1	2119533-1	STRIPPER, SIDE FEED	19
-	-	1	1	2119806-1	INSERT, SHEAR	13
-	-	1	1	3-22280-3	SPRING, COMPRESSION	12
-	-	1	1	1-356885-4	STOP, SHEAR	11
-	-	1	1	2119805-1	SHEAR HOLDER, FRONT	10
-	-	1	1	1803095-1	FLOATING SHEAR, FRONT	9
1	1	1	1	1803293-1	ANVIL, COMBINATION DEUTSCH STYLE	8
-	-	-	-	-	-	7
-	-	-	-	-	-	6
-	-	1	1	2119757-8	DEPRESSOR, SHEAR	5
-	-	1	1	238011-9	BLOCK, CRIMPER SPACER	4
1	1	1	1	1803019-3	CRIMPER, INSULATION O	3
-	-	1	1	455888-1	SPACER, CRIMPER	2
1	-	1	1	2-1633713-6	CRIMPER, WIRE PREMIUM	1

DIMENSIONS:		TOLERANCES UNLESS OTHERWISE SPECIFIED:		MATERIAL:		FINISH:	
mm	0 PLC ±	1 PLC ±	2 PLC ±	3 PLC ±	4 PLC ±	ANGLES	

ITEM NO	PART NO	DESCRIPTION		
-78	-77	-22	-21	

CHK	DATE	APPV	DATE
R. KNEPPER	23AUG2013		
G. BAILEY	23AUG2013		
M. CLIFFORD	23AUG2013		

NAME	SIZE	CAGE CODE	DRAWING NO	RESTRICTED TO
Ocean Side Feed Applicator	A1	00779	2266100	

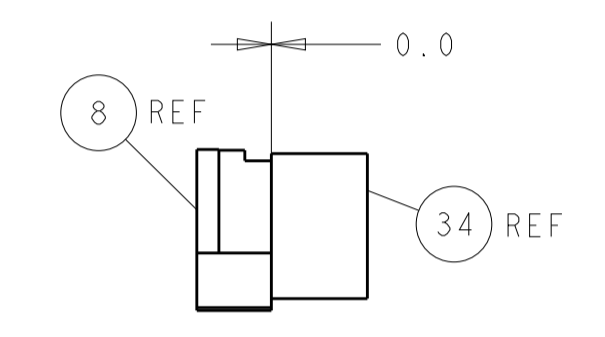
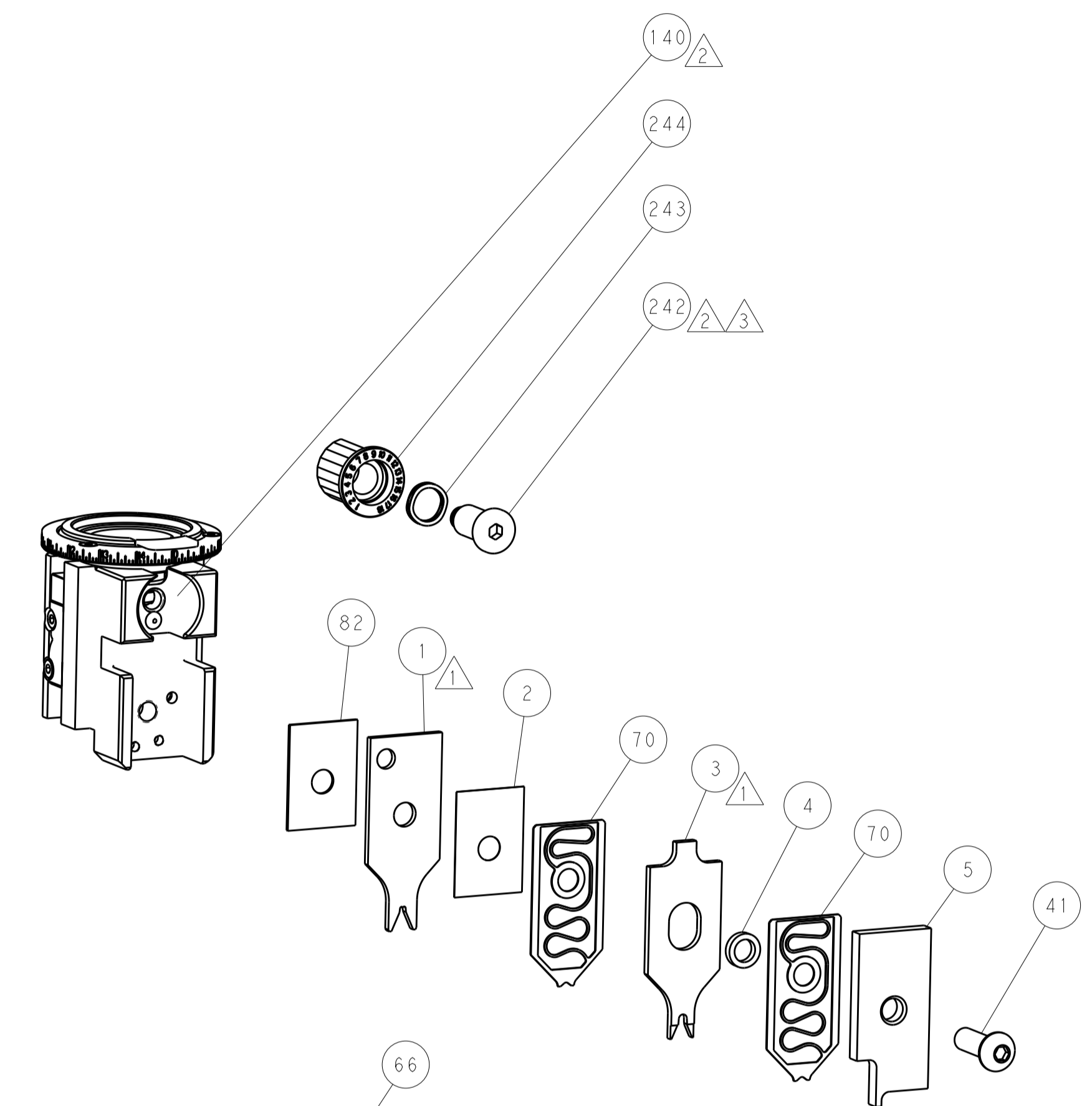
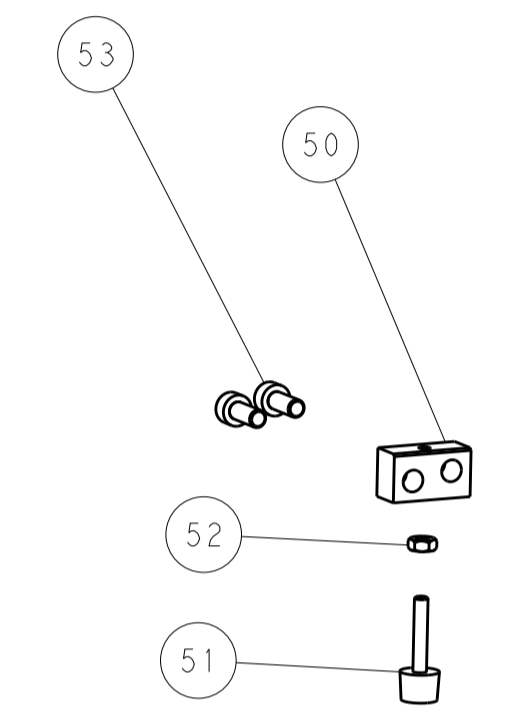
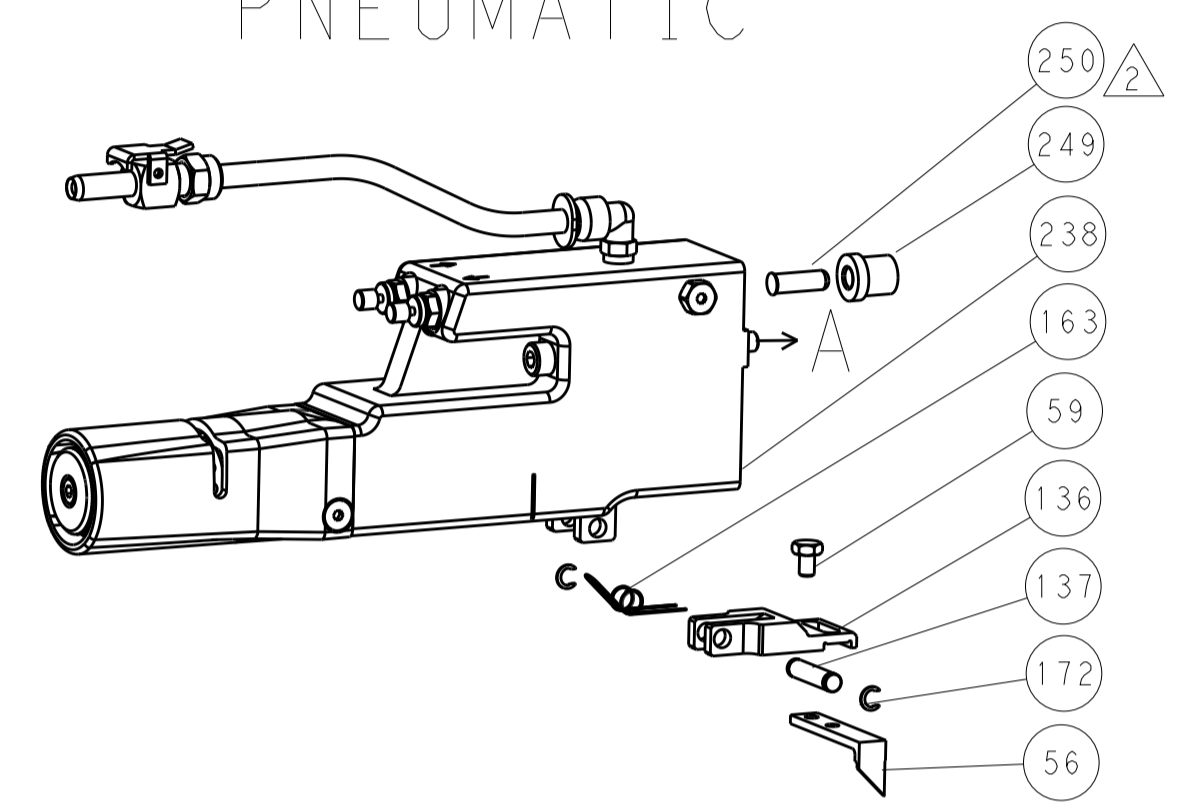
Customer Accessible Production Drawing SCALE 1:2 SHEET 3 OF 4 REV C1

LOC		DIST		REVISIONS			
A	66	P	LTM	DESCRIPTION	DATE	OWN	APVD
		-		SEE SHEET 1	-	-	-

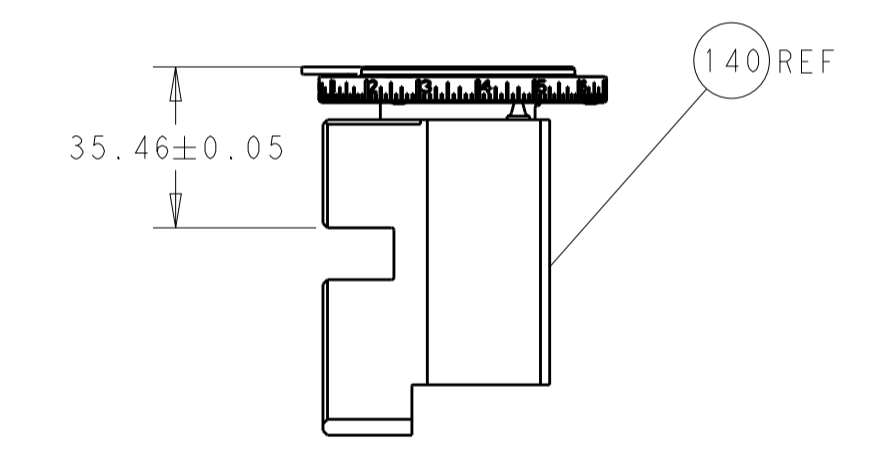
FEED TYPE MECHANICAL



PNEUMATIC

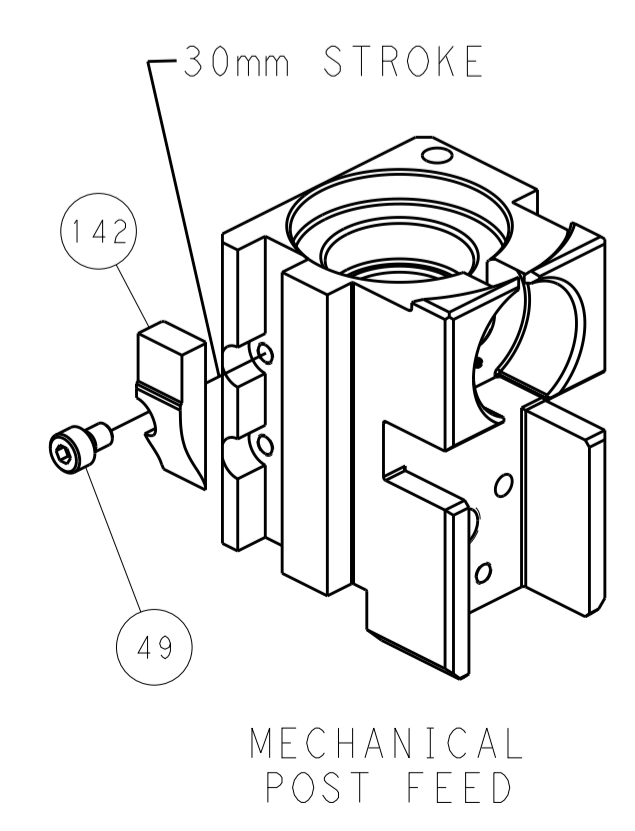


TERMINAL SUPPORT LOCATION

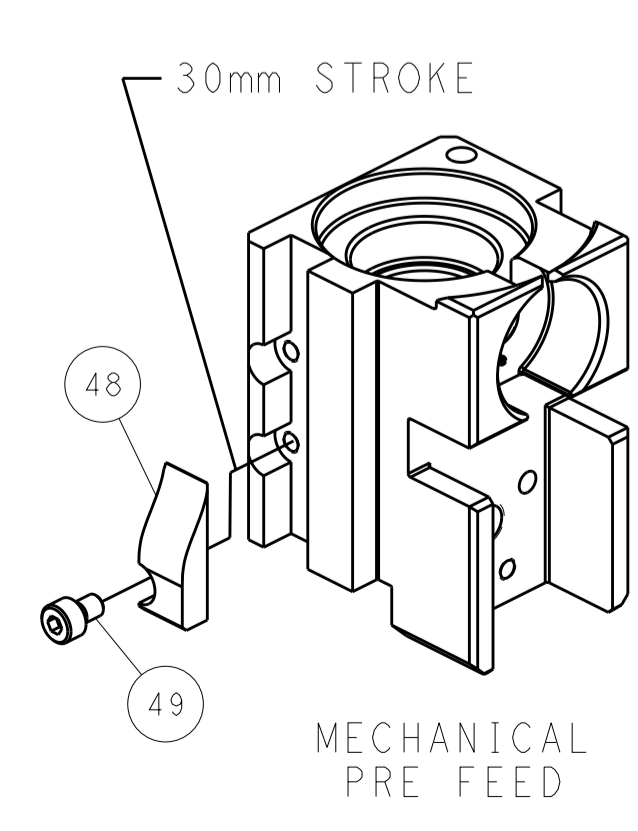


RAM SET-UP

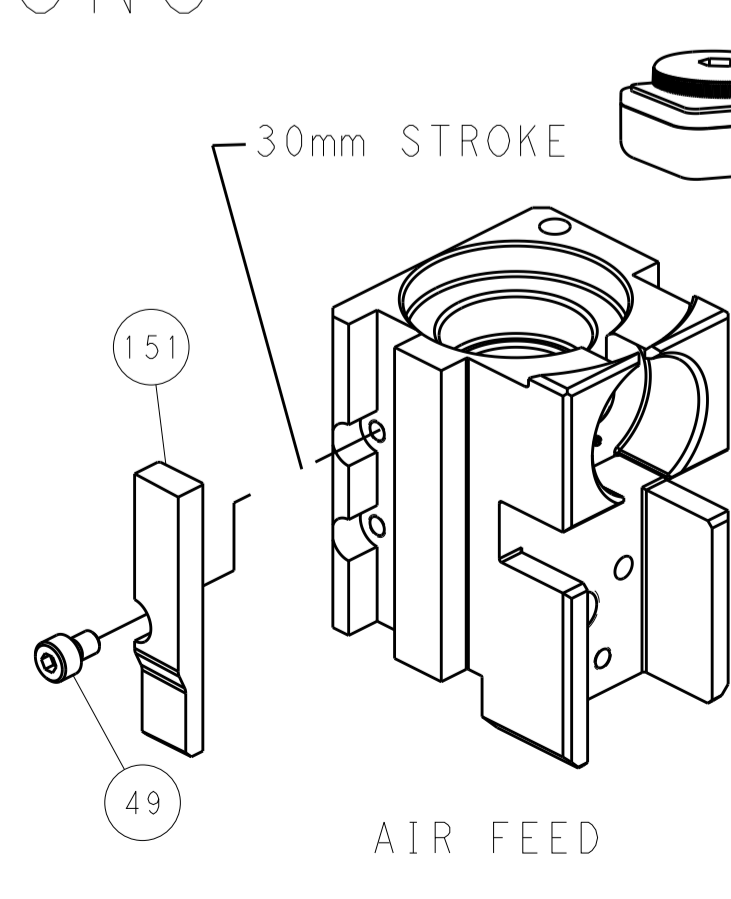
CAM POSITIONS



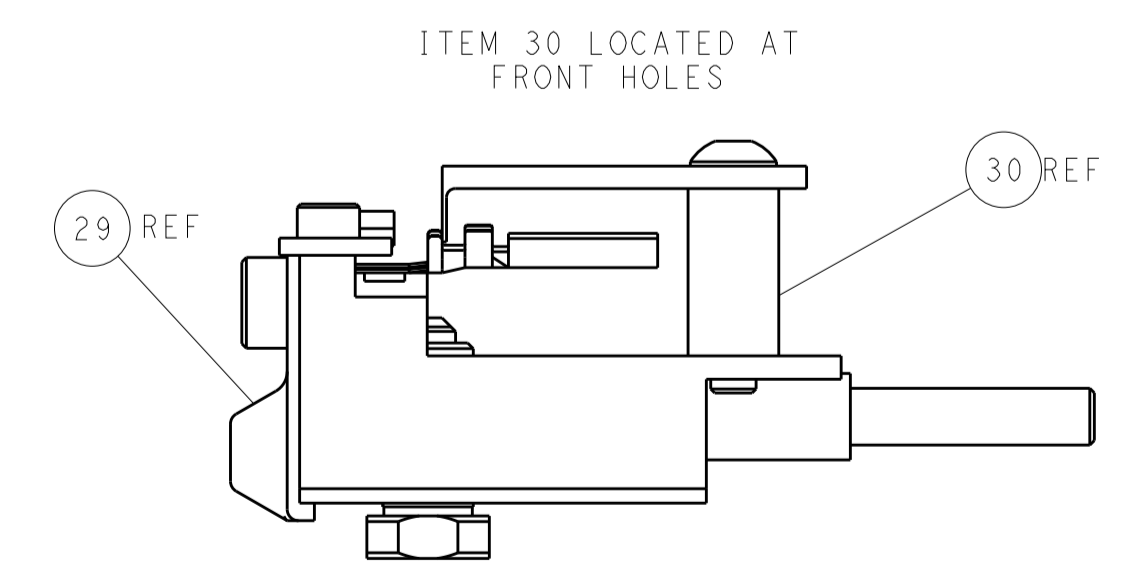
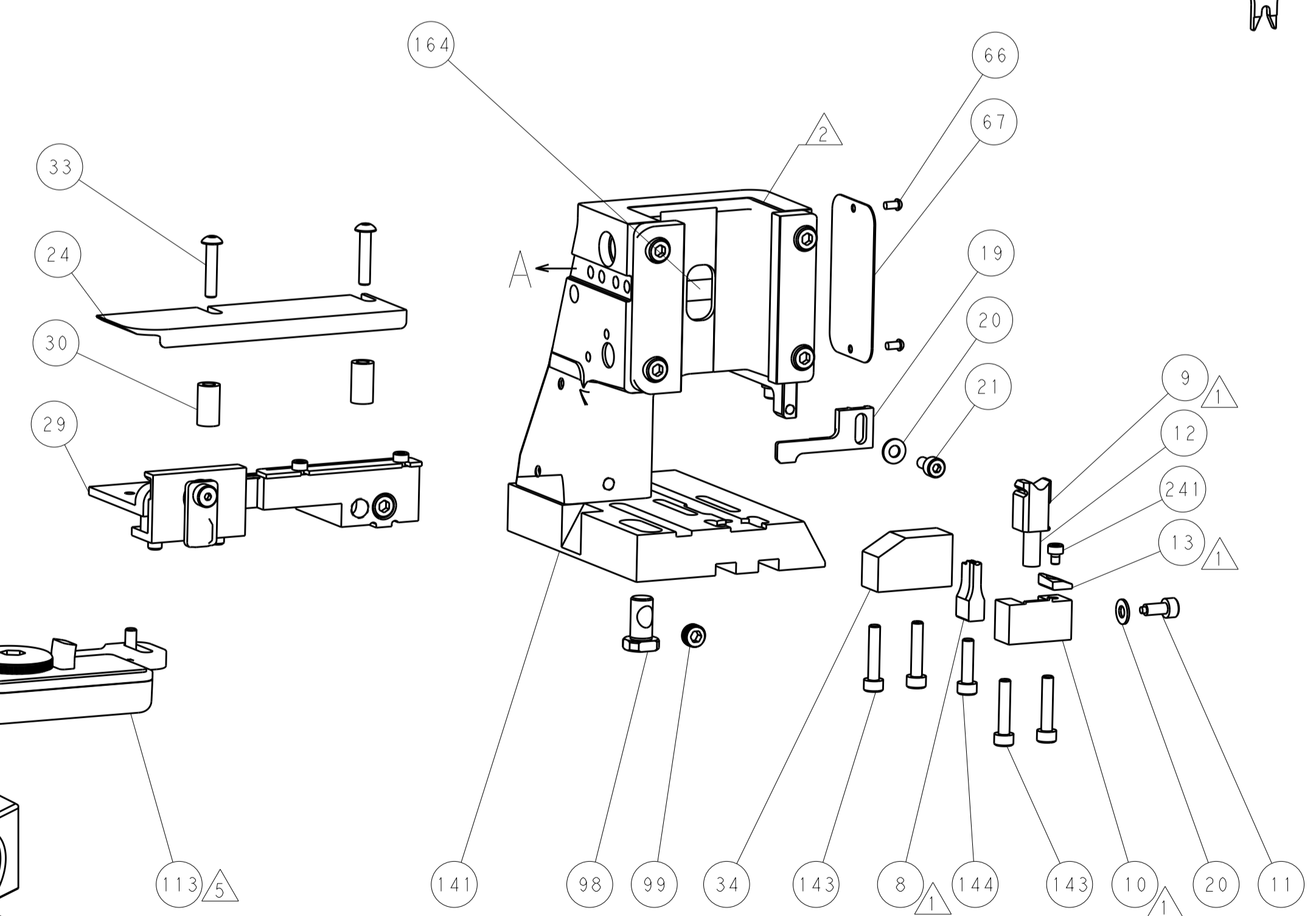
MECHANICAL
POST FEED



MECHANICAL
PRE FEED



AIR FEED



FEED TRACK POSITION
GUIDE BY INSULATION BARREL

PACIFIC VERSION
 Shown on sheets 3 of 4 & 4 of 4
 (Atlantic version shown on sheets 1 of 4 & 2 of 4)

DIMENSIONS:		TOLERANCES UNLESS OTHERWISE SPECIFIED:		DWN R. KNEPPER 23AUG2013		STE TE Connectivity	
mm	0 PLC ±	1 PLC ±	2 PLC ±	3 PLC ±	4 PLC ±	5 PLC ±	Harrisburg, PA 17105-3608
MATERIAL:		FINISH:		CHK G. BAILEY 23AUG2013		NAME Ocean Side Feed Applicator	
				APVD M. CLIFFORD 23AUG2013		SIZE CAGE CODE DRAWING NO RESTRICTED TO	
				PRODUCT SPEC		A1 00779 C=2266100	
				APPLICATION SPEC		Customer Accessible Production Drawing	
				WEIGHT		SCALE 1:2 SHEET 4 OF 4 REV C1	