

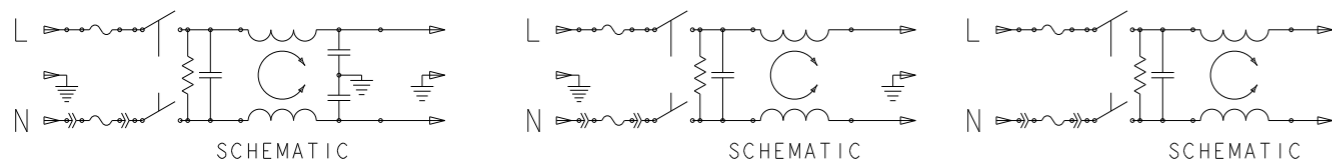
THIS DRAWING IS UNPUBLISHED.

RELEASED FOR PUBLICATION

REVISIONS

© COPYRIGHT BY - ALL RIGHTS RESERVED.

P	LTR	DESCRIPTION	DATE	DWN	APVD

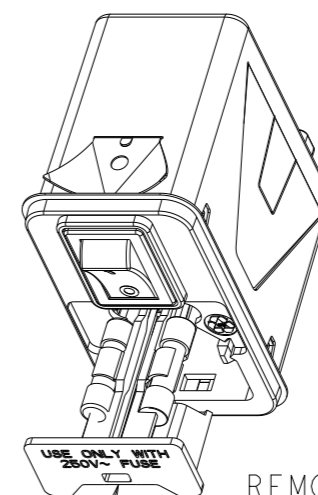
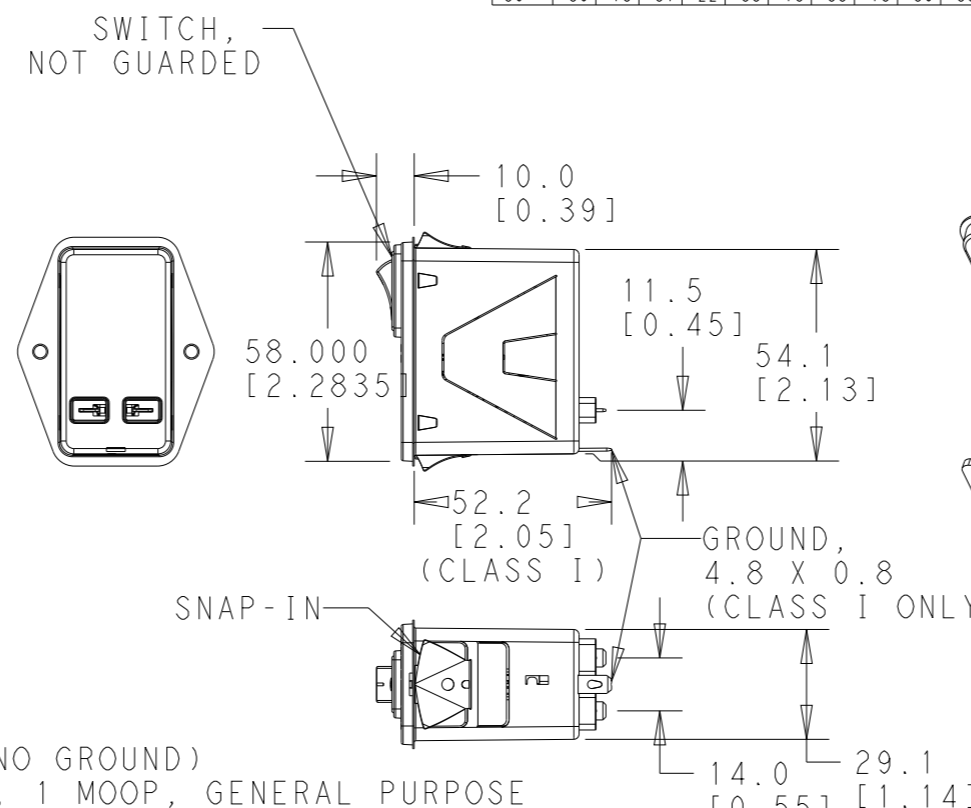
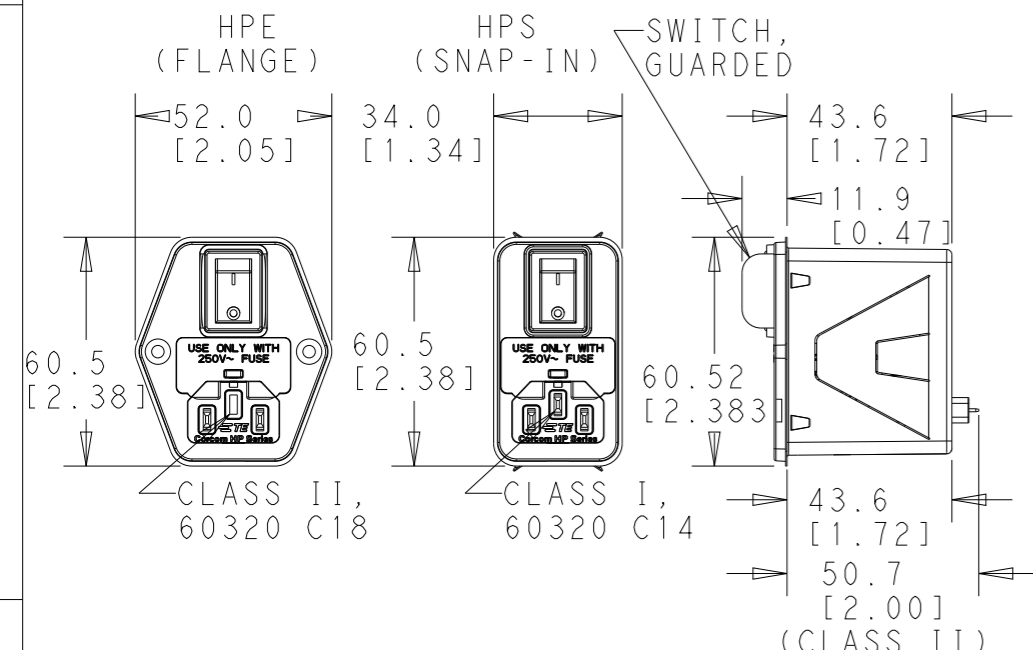


CLASS I, 1 MOOP GENERAL PURPOSE OPTION

CLASS I, 1 MOPP -HG OPTION

CLASS II, 2 MOOP -NG OPTION

		50 OHM - 50 OHM INSERTION LOSS (dB)															
		COMMON MODE				DIFFERENTIAL MODE				COMMON MODE				DIFFERENTIAL MODE			
		3A	6A	10A	12A	3A	6A	10A	12A	3A	6A	10A	12A	3A	6A	10A	12A
MHz	TYP MIN	TYP MIN	TYP MIN	TYP MIN	TYP MIN	TYP MIN	TYP MIN	TYP MIN	TYP MIN	TYP MIN	TYP MIN	TYP MIN	TYP MIN	TYP MIN	TYP MIN	TYP MIN	TYP MIN
0.05	9 3	0 0	0 0	0 0	0 0	14 8	13 7	14 8	14 8	14 8	14 8	14 8	14 8	14 8	14 8	14 8	14 8
0.15	18 12	3 0	1 0	1 0	1 0	23 17	23 17	23 17	23 17	23 17	23 17	23 17	23 17	23 17	23 17	23 17	23 17
0.3	24 18	7 1	3 0	3 0	3 0	29 23	29 23	29 23	29 23	29 23	29 23	29 23	29 23	29 23	29 23	29 23	29 23
0.5	29 23	12 6	6 0	6 0	6 0	33 27	34 28	34 28	34 28	34 28	34 28	34 28	34 28	34 28	34 28	34 28	34 28
1	34 24	17 7	10 0	10 0	10 0	37 27	39 29	40 30	40 30	40 30	40 30	40 30	40 30	40 30	40 30	40 30	40 30
3	45 35	26 16	19 9	19 9	19 9	38 28	47 37	56 46	56 46	56 46	56 46	56 46	56 46	56 46	56 46	56 46	56 46
5	53 43	30 20	24 14	24 14	24 14	44 34	47 37	56 46	56 46	56 46	56 46	56 46	56 46	56 46	56 46	56 46	56 46
10	49 34	36 21	30 15	30 15	30 15	60 45	59 44	35 20	35 20	35 20	35 20	35 20	35 20	35 20	35 20	35 20	35 20
30	30 15	37 22	33 18	33 18	33 18	50 35	49 34	47 32	47 32	47 32	47 32	47 32	47 32	47 32	47 32	47 32	47 32



CAUTION!
CORRECT FAULT BEFORE REPLACING BLOWN FUSES.
REMOVE PLUG TO INSTALL/REPLACE FUSE. USE TOOL TO GENTLY PRY FUSE DRAWER OPEN. PULL DRAWER STRAIGHT OUT TO POSITIVE STOP. DO NOT TWIST OR FLEX OR REMOVE DRAWER PAST POSITIVE STOP. INSERT/REPLACE FUSES AND GENTLY SLIDE FUSE DRAWER STRAIGHT IN.

40.00 [1.575]
31.50 [1.240]
56.60 [2.228]
R4.00
Ø 3.600 [0.157] [0.1417]
PANEL CUT-OUT THICKNESS: 1.0-2.0

3 HP S G D 1 - NG
CLASS (GROUND / NO GROUND)
[] - CLASS I, 1 MOOP, GENERAL PURPOSE
-HG - CLASS I, 1 MOPP
-NG - CLASS II, 2 MOOP*

OUTPUT STYLE
1 - 4.8 X 0.8 SPADE TERMINALS
FUSE HOLDER (Ø5 MM X 20 MM)
D - DUAL
S - SINGLE

SWITCH GUARD
G - GUARDED
N - NOT GUARDED
EXAMPLE: 12HPENS1
12 A
FLANGED
NO SWITCH GUARD
SINGLE-FUSE
GENERAL PURPOSE

STYLE
E - FLANGES
S - SNAP-IN
HP SERIES
FILTER CURRENT RATING: 3, 6, 10 OR 12A**

HIPOT RATING (FOR 2 S)
L-G CLASS I : 2250 VAC
L-G CLASS II: 3000 VAC (-NG)*
LINE TO LINE: 1500 VDC
OPERATING FREQUENCY: 50-60 Hz
RATED VOLTAGE: 120/250 VAC
OPERATING AMBIENT TEMP: -40°C TO 40°C
STORAGE TEMPERATURE : -40°C TO 85°C
COMPATIBLE WITH V-LOCK PLUG.

MAX LEAKAGE PER LINE TO GROUND (I, 1MOOP)@ 120V,60Hz/250V,50Hz: 70/140µA
-HG, -NG @ 120V,60Hz/250V,50Hz: 2 / 5µA
HUMIDITY: 21 DAYS, 40°C @ 95%RH
CURRENT OVERLOAD: 2X RATED FOR 8 SEC
SWITCH: DOUBLE INS, 10,000 CYCLES, 51 A
SAFETY AGENCIES: UL RECOGNIZED, CSA CERTIFIED. UL-EU AND ENEC APPROVED.
STANDARDS: EN60939-3, C22.2#8, EN60601-1*

USE 14 AWG POWER CORD FOR > 6 A.
LIMIT FAULT CURRENT TO 12 A AT 40C.

THE BEST WAY TO SELECT AND QUALIFY A FILTER IS FOR YOUR ENGINEERING STAFF TO TEST THE UNIT IN YOUR EQUIPMENT.

THIS DRAWING IS A CONTROLLED DOCUMENT.		DWN	06JUL22	TE Connectivity
		EC		
DIMENSIONS: mm		CHK	-	NAME HP SERIES CUSTOMER DRAWING
TOLERANCES UNLESS OTHERWISE SPECIFIED:		APVD	06JUL22	
0 PLC ±2		EC		PRODUCT SPEC - APPLICATION SPEC -
1 PLC ±1.0				
2 PLC ±0.40				SIZE A3
3 PLC ±0.200				
4 PLC ±0.1000				CAGE CODE -
ANGLES ±				
MATERIAL				DRAWING NO C-P-1609004-0
FINISH				
		WEIGHT	-	RESTRICTED TO -
		CUSTOMER DRAWING		SCALE
				1:2
				SHEET
				1 OF 1
				REV
				A

* CLASS II WITH INSULATED FASTONS.
** RATED 12A UL/CSA, 10A ULEU/ENEC.