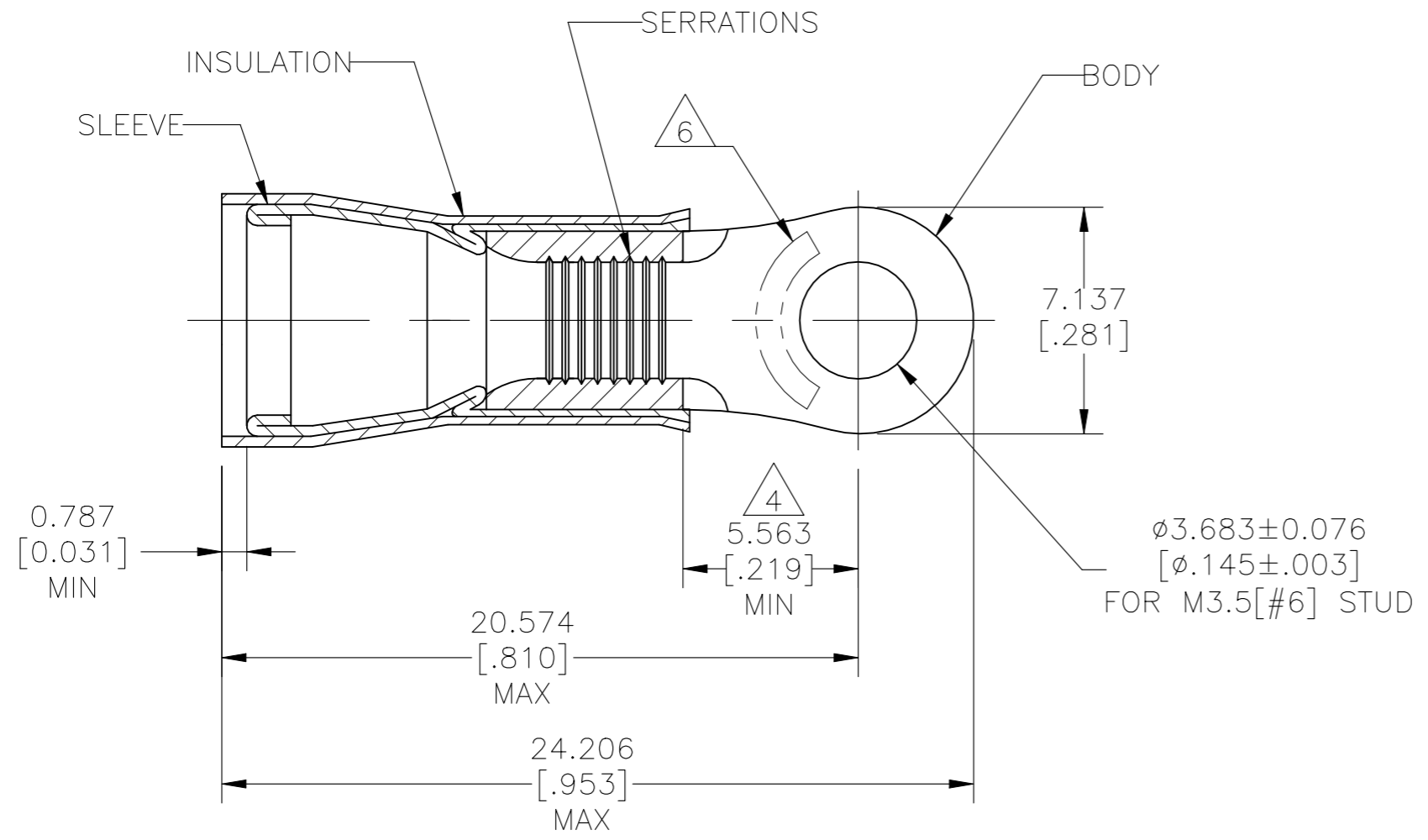


© - TE Connectivity. All Rights Reserved.

REVISIONS				
P	LTR	DESCRIPTION	DATE	APVD
	E5	REVISED PER ECR-22-155128	27OCT2022	BB DSC



- 1 WIRE INSULATION DIAMETER: ø3.810[.150] TO ø5.842[.230]
- 2 MATERIAL:  
BODY & SLEEVE - COPPER PER ASTM B152  
INSULATION - NYLON PER ASTM D4066, TYPE 1
- 3 FINISH:  
BODY & SLEEVE: TIN PLATE 0.00254[.000100]  
MIN EXT THK PER ASTM B545  
INSULATION COLOR - YELLOW
- 4 APPLIES FROM EDGE OF METAL WIRE BARREL TO CENTER OF STUD HOLE.
- 5 BODY MATERIAL THICKNESS: 0.991±0.051[.039±.002]
- 6 STAMP AMP 12-10\* APPROX AS SHOWN.

<b>AMP</b> WIRE RANGE	Listed FILE E13288	LR7189 Certified
12-10 AWG SOLID OR STRANDED	12-10 AWG SOLID OR STRANDED	12-10 AWG SOLID OR STRANDED

2000	ON TAPE	2-320634-1
500	LOOSE PIECE	320634
QTY	PACKAGE TYPE	PART NO

AMP INCORPORATED  
CUSTOMER SERVICE SYSTEMS

FOR ADDITIONAL PRODUCT INFORMATION OR COPIES OF DRAWINGS AND TECHNICAL DOCUMENTS	PRODUCT INFORMATION CENTER 1-800-522-6752
FOR APPLICATION TOOLING INFORMATION	TOOLING ASSISTANCE CENTER 1-800-722-1111
FOR ORDER ENTRY	1-800-526-5142

MAX RECOMMENDED OPERATING TEMPERATURE: 105°C [221°F]
VOLTAGE RATING: 300 V MAX
WIRE CROSS SECTIONAL AREA RANGE, 2.26-6.64mm²[5,180-13,100] SOLID OR STRANDED

THIS DRAWING IS A CONTROLLED DOCUMENT.	
DIMENSIONS: mm [INCHES]	TOLERANCES UNLESS OTHERWISE SPECIFIED:
	0 PLC ± -
	1 PLC ± -
	2 PLC ± -
	3 PLC ± 0.127[.005]
	4 PLC ± -
	ANGLES ± -
MATERIAL	FINISH
2	3

DWN	12JUN09
jr_ruth	
CHK	12JUN09
TOM MICHIELUTTI	
APVD	12JUN09
TOM MICHIELUTTI	
PRODUCT SPEC	
UL 486A-B	
APPLICATION SPEC	
114-2157	
WEIGHT	-
CUSTOMER DRAWING	

TE Connectivity			
NAME TERMINAL, RING TONGUE, PIDG, WIRE SIZE: 12-10 AWG			
SIZE	CAGE CODE	DRAWING NO	RESTRICTED TO
A3	00779	C-320634	-
SCALE 5:1		SHEET 1 OF 1	REV E5