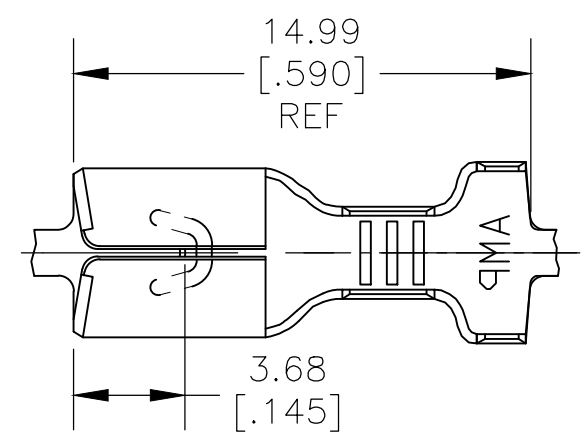
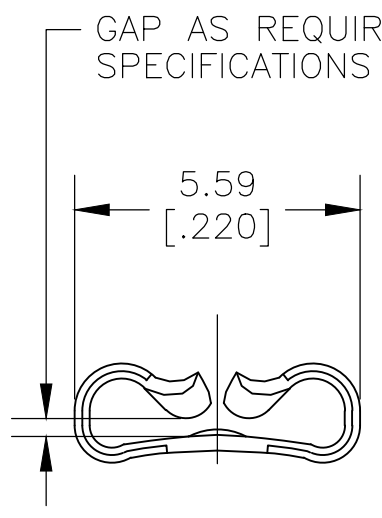


THIS DRAWING IS UNPUBLISHED. RELEASED FOR PUBLICATION  
 © COPYRIGHT - By - ALL RIGHTS RESERVED.

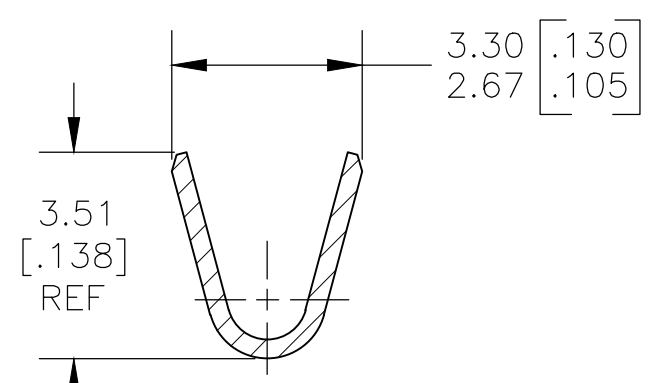
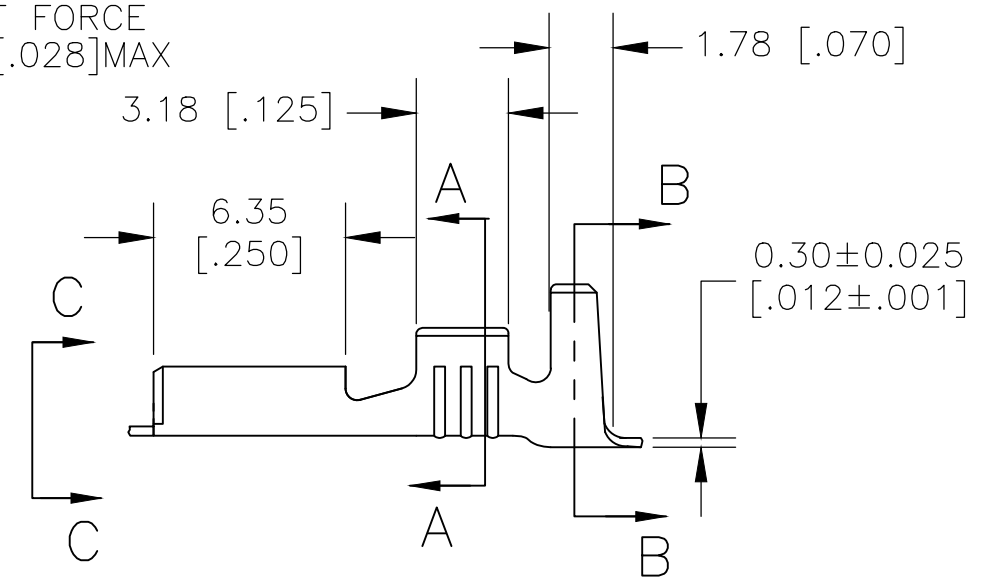
REVISIONS					
P	LTR	DESCRIPTION	DATE	DWN	APVD
	B	REVISED PER ECR-19-012503	06SEP2019	PC	DH
	B1	REVISED PER ECR-20-009164	13JULY2020	MK	DH



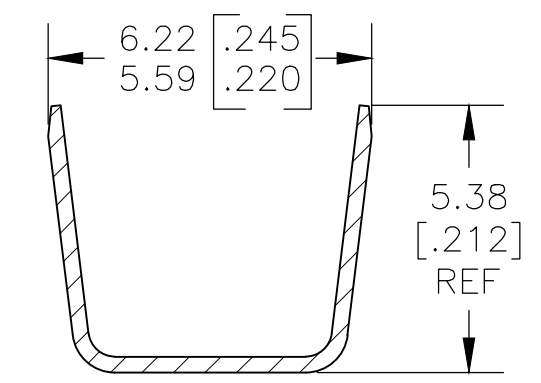
- CONTINUOUS STRIP ON REELS.
- WIRE SIZE #18-#16 OR TWO #18'S AWG
- INSULATION RANGE 2.67-5.33 [.105-.210] DIA OR TWO AT 2.67 MAX [.105] DIA
- MATING TAB THK 0.84-0.76 [.033-.030]
- AWG 18-16 & (2) AWG 18 UL APPROVAL
- PAPER INTERLEAVING ON FINAL PACKAGING. QTY/REEL = 15K/REEL.



VIEW C-C  
SCALE 8:1



SECTION A-A  
SCALE 8:1



SECTION B-B  
SCALE 8:1

OBSOLETE/SUPERSEDED BY PN 2238199-3	TIN	BRASS	1742899-3
	NICKEL	STEEL	1742899-1
	FINISH	MATERIAL	PART NO

THIS DRAWING IS A CONTROLLED DOCUMENT.		DWN jr ruth 15MAY11	<b>STE</b> TE Connectivity														
DIMENSIONS: MM [ INCHES ]		CHK PETE DESANTIS 15MAY11															
TOLERANCES UNLESS OTHERWISE SPECIFIED:		APVD PETE DESANTIS 15MAY11	NAME RECEPTACLE, FASTON, .187 SERIES														
<table border="0"> <tr><td>0 PLC</td><td>± -</td></tr> <tr><td>1 PLC</td><td>± -</td></tr> <tr><td>2 PLC</td><td>± 0.25 [.010]</td></tr> <tr><td>3 PLC</td><td>± -</td></tr> <tr><td>4 PLC</td><td>± -</td></tr> <tr><td>ANGLES</td><td>± 5°</td></tr> </table>		0 PLC	± -	1 PLC	± -	2 PLC	± 0.25 [.010]	3 PLC	± -	4 PLC	± -	ANGLES	± 5°	PRODUCT SPEC -	SIZE A3		
0 PLC	± -																
1 PLC	± -																
2 PLC	± 0.25 [.010]																
3 PLC	± -																
4 PLC	± -																
ANGLES	± 5°																
MATERIAL SEE TABLE		APPLICATION SPEC -	CAGE CODE 00779	DRAWING NO C-1742899	RESTRICTED TO -												
FINISH SEE TABLE		WEIGHT	SCALE 4:1 SHEET 1 OF 1 REV B1														
CUSTOMER DRAWING																	