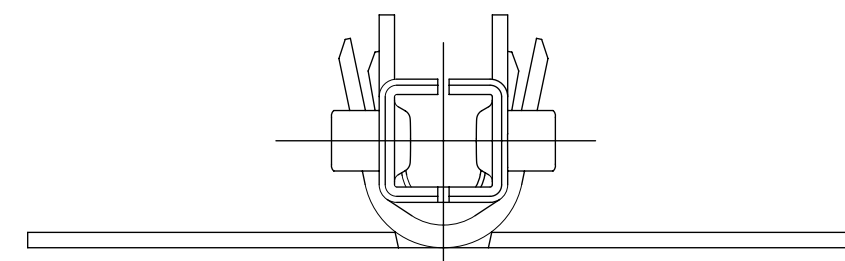
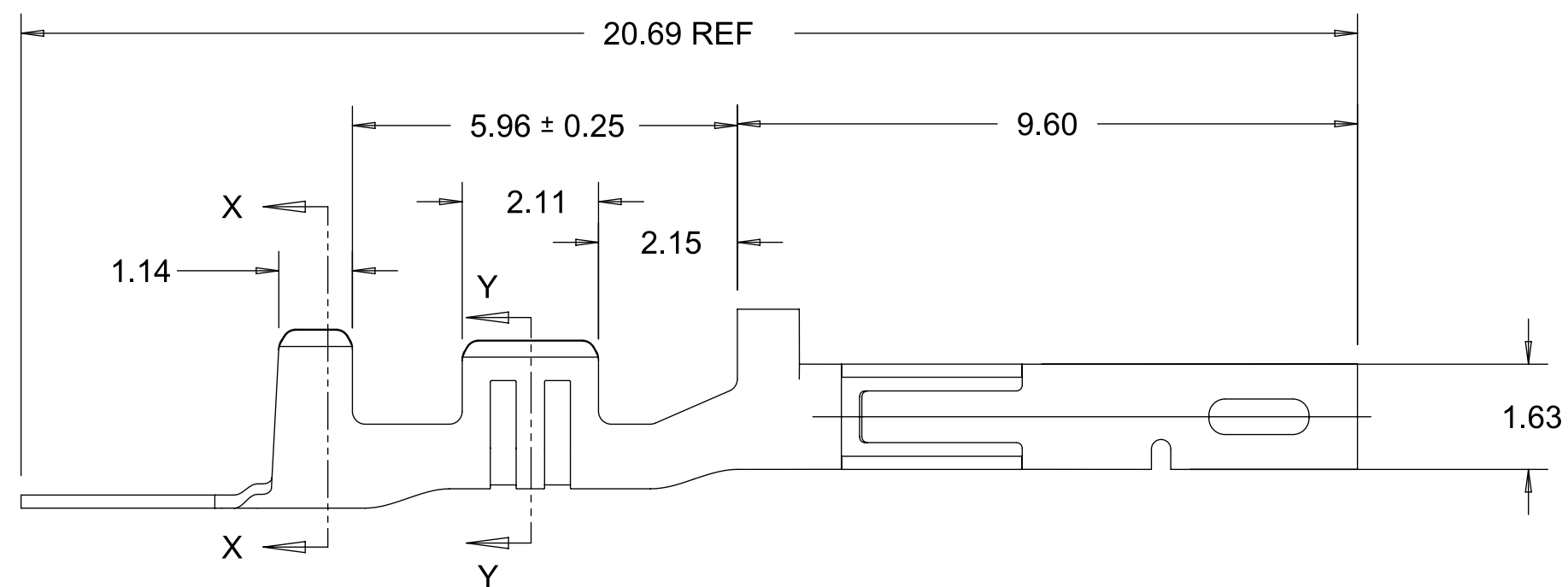
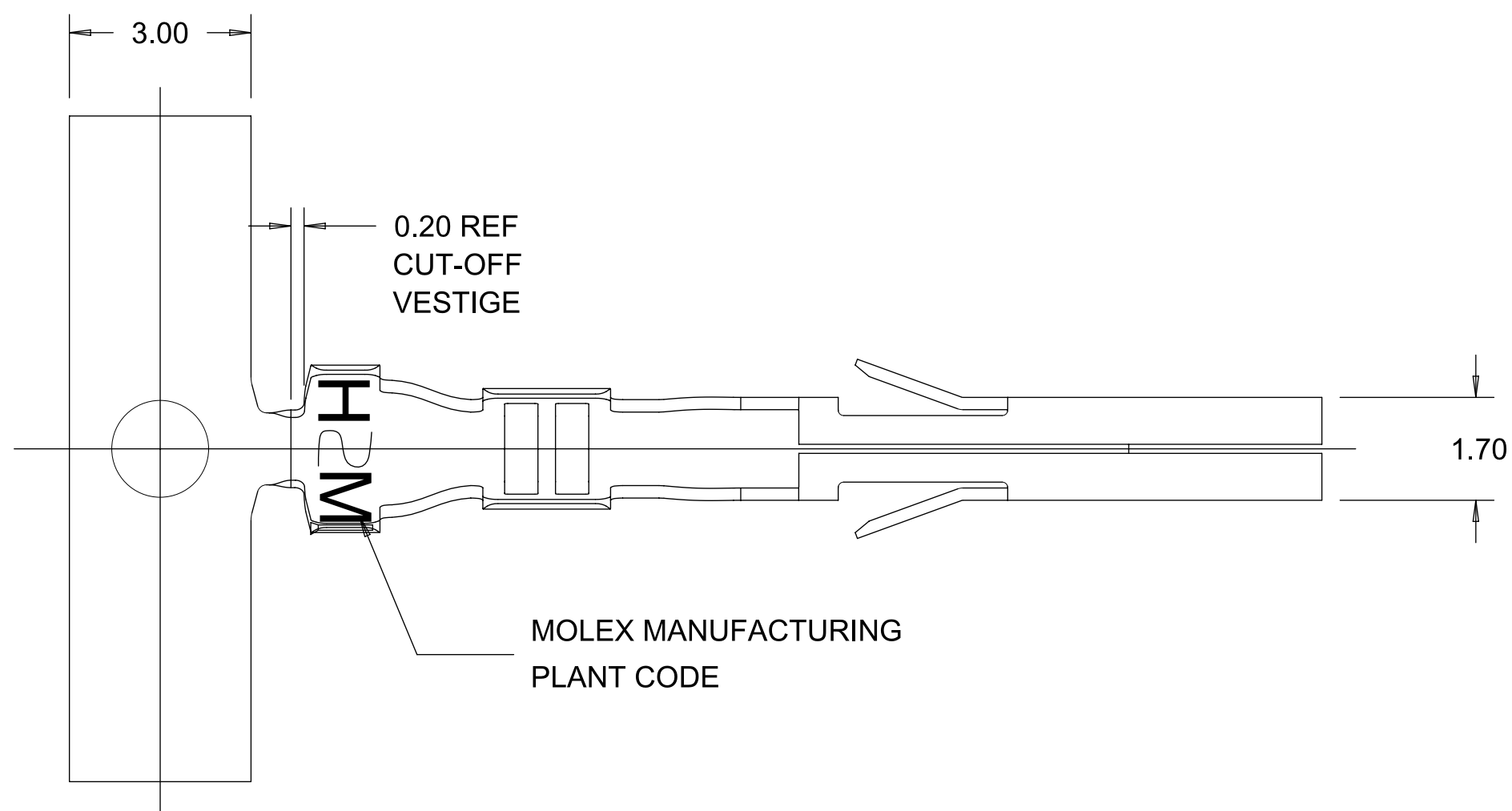


# PART LEGEND

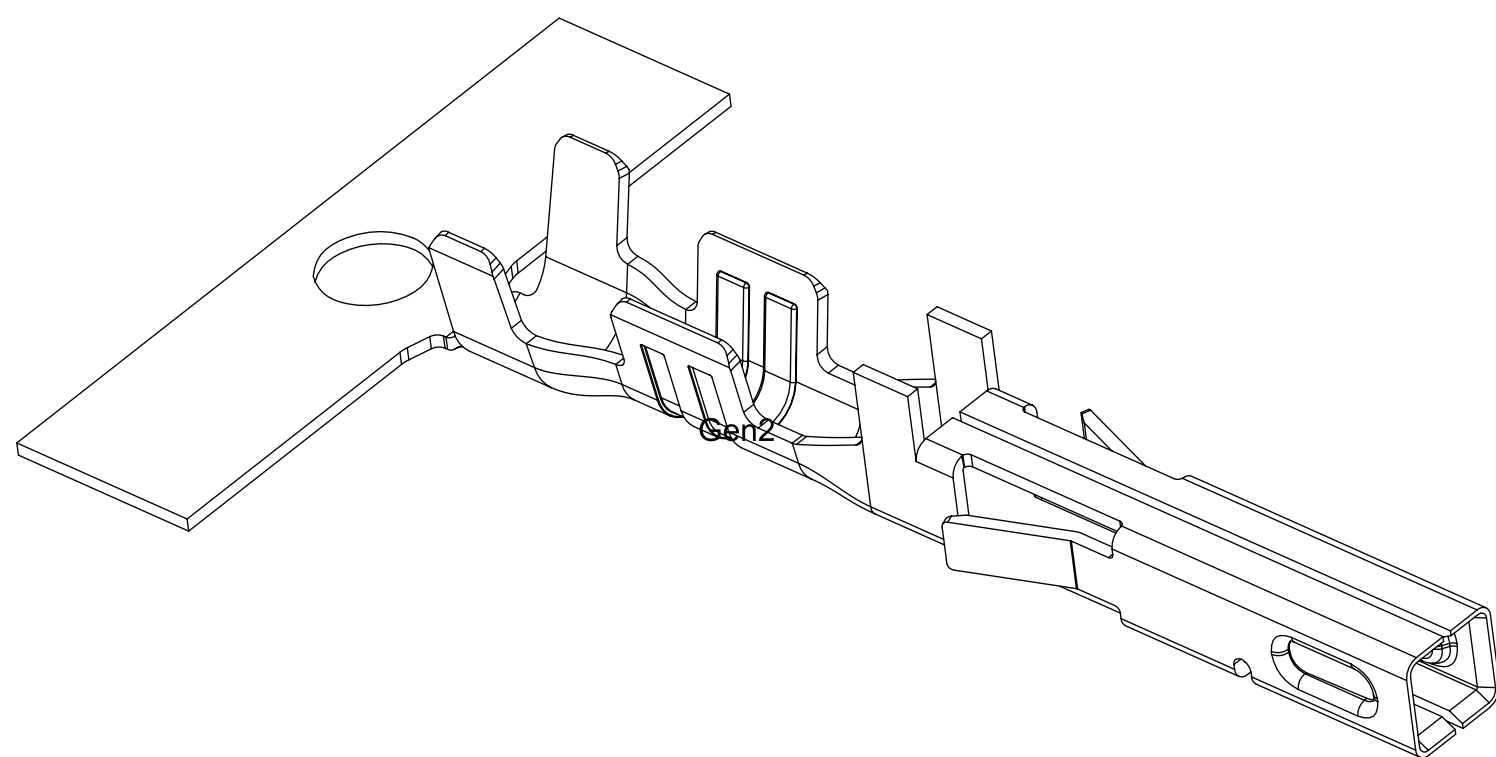
172718- \* \* \* \*

<b>SERIES</b>	<b>FORM</b>
<b>WIRE GAGE (INS OD RANGE)</b>	1 = CHAIN/UNLUBED
1 = 16 (Ø1.98-2.55)	2 = LOOSE/UNLUBED
2 = 16 (Ø2.55-3.14)	3 = CHAIN/LUBED
3 = 18-20 (Ø1.42-2.10)	4 = LOOSE/UNLUBED
4 = 18-20 (Ø2.10-2.85)	<b>MATERIAL</b>
5 = 22-24 (Ø1.07-1.65)	1 = PHOS BRONZE
6 = 22-24 (Ø1.65-2.38)	2 = BRASS
	<b>PLATING</b>
	1 = HOT TIN DIP (PRE-PLATE)



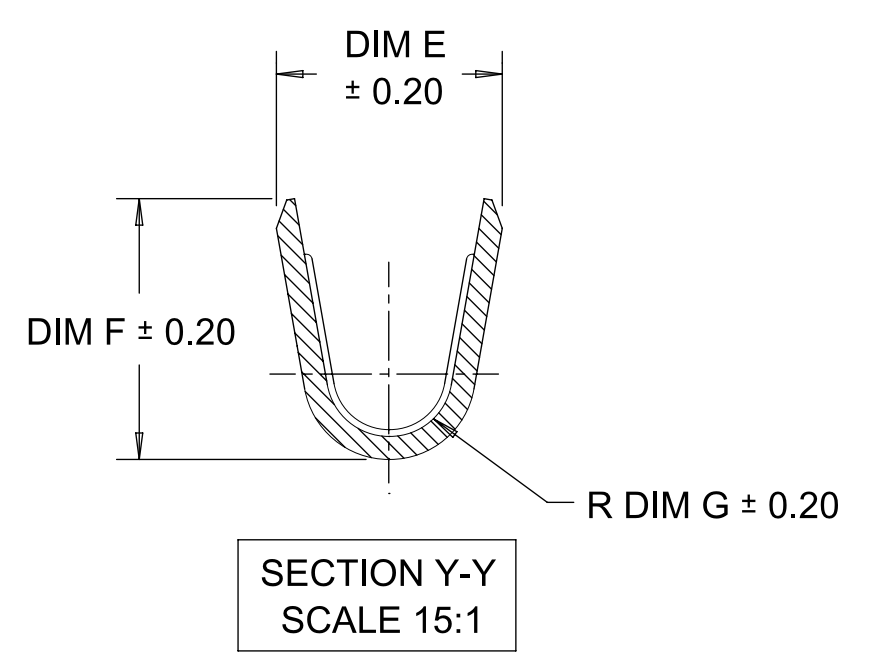
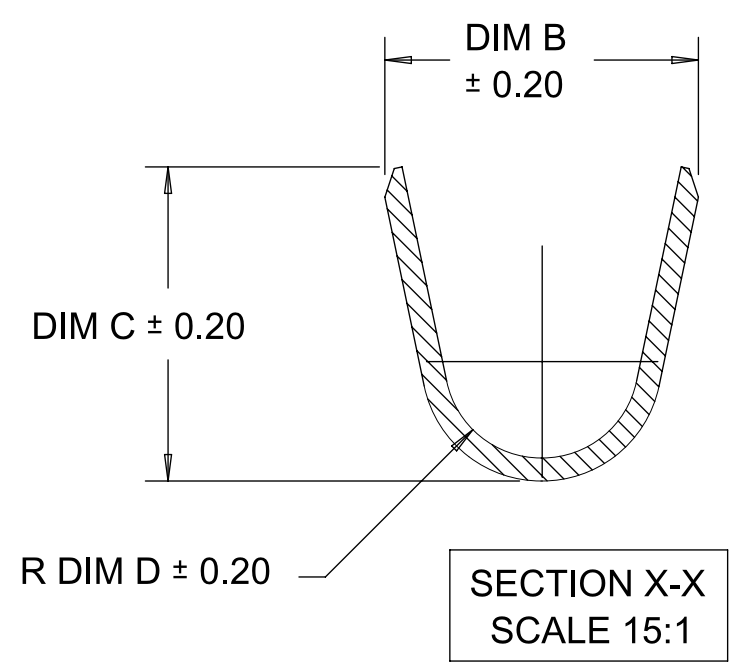
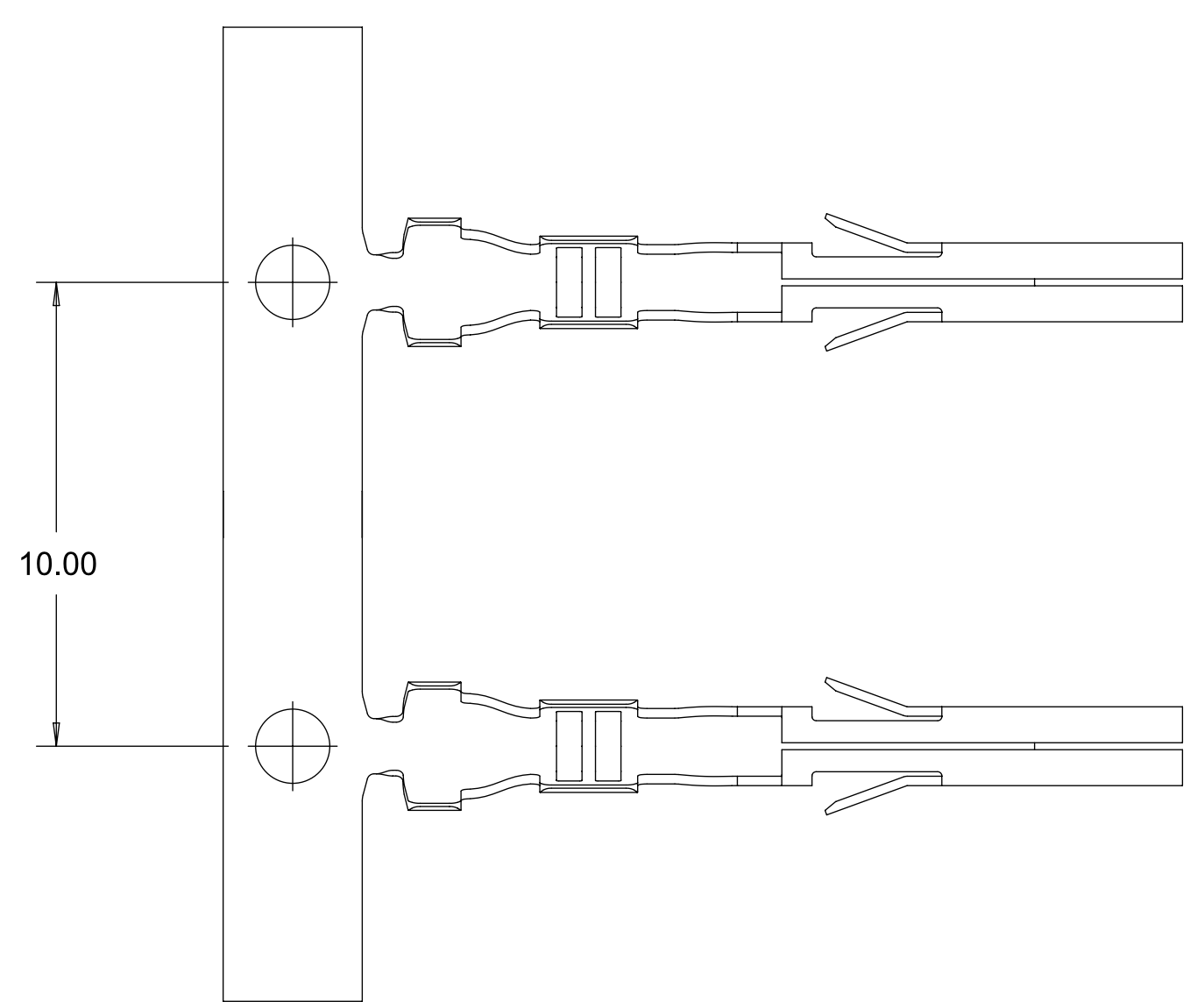
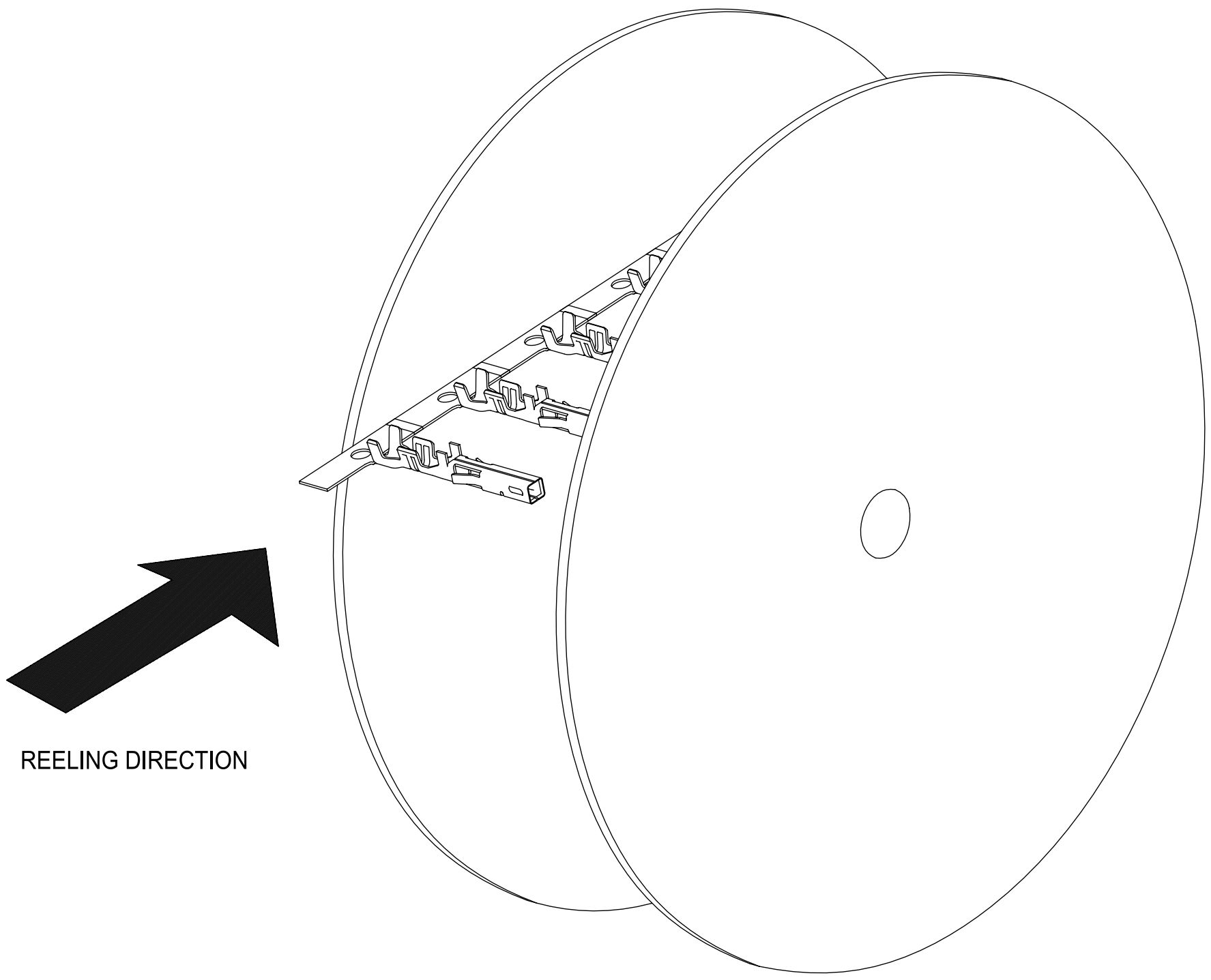
**NOTES:**

- MATERIALS:**  
PHOS BRONZE ALLOY  
BRASS ALLOY
- PRE-PLATED: HOT TIN DIP, OVERALL 2.5 m MIN. TIN.
- PRODUCT SPECIFICATION: PS-172718-0000  
APPLICATION SPECIFICATION: AS-172718-0000
- THIS TERMINAL TO BE USED WITH HOUSING SERIES 172708.
- THIS TERMINAL MATES WITH MALE CRIMP TERMINAL SERIES 5558, 46012 & 172765.
- THIS TERMINAL MATES WITH HEADER SERIES 5566 & 5569.
- PACKAGING: REELS TO BE PACKED PER PK-172718-0000  
LOOSE TERMINALS PER PK-172718-0001.
- PART CONFORMS TO CLASS 'B' REQUIREMENTS OF COSMETIC SPEC PS-45499-002.
- WHEN TERMINALS ARE INSTALLED IN THE HOUSING THE WIRE ARE TO BE DRESSED IN SUCH A MANNER TO ALLOW THE TERMINALS TO FLOAT FREELY IN THE HOUSING POCKET.
- THIS TERMINALS IS DESIGNED FOR SINGLE WIRE CRIMPING.
- LUBRICANT ADDED TO CONTACT INTERFACE



THIS DRAWING CONTAINS INFORMATION THAT IS PROPRIETARY TO MOLEX ELECTRONIC TECHNOLOGIES, LLC AND SHOULD NOT BE USED WITHOUT WRITTEN PERMISSION									
DIMENSION UNITS		SCALE		CURRENT REV DESC:				<b>molex</b>	
mm		NTS							
GENERAL TOLERANCES (UNLESS SPECIFIED)				EC NO: 746659				CRIMP TERMINAL RECEPTACLE MINI-FIT TPA2 AND SIGMA	
ANGULAR TOL ± °				DRWN: JERRYW8 2023/04/19					
4 PLACES ±				CHK'D: XQZHANG 2023/04/21				PRODUCT CUSTOMER DRAWING	
3 PLACES ±				APPR: XQZHANG 2023/04/21					
2 PLACES ± 0.2				INITIAL REVISION:				DOCUMENT NUMBER	
1 PLACE ± 0.2				DRWN: TGREGORI 2014/09/09					
0 PLACES ±				APPR: TGREGORI 2014/09/24				SD-172718-0000	
DRAFT WHERE APPLICABLE MUST REMAIN WITHIN DIMENSIONS		THIRD ANGLE PROJECTION		DRAWING		SERIES		SHEET NUMBER	
		C-SIZE		172718		GENERAL MARKET		1 OF 2	

	MOLEX PART NUMBER	BASE MAT'L	WIRE AWG	COMBINATIO N WIRE AWG	WIRE OD RANGE	DIM B	DIM C	DIM D	DIM E	DIM F	DIM G		
CHAIN	172718-1111	PHOS BOONZE	16	NA	1.98-2.55	3.27	3.43	1.00	2.35	2.90	0.70		
	172718-2111			NA	2.55-3.14	3.74	3.66	1.43					
	172718-3111		18-20	NA	1.42-2.10	2.77	2.77	0.85	2.00	2.30	0.55		
	172718-4111			22+22 AWG	2.10-2.85	3.36	3.37	1.25					
	172718-5111		22-24	NA	1.07-1.65	2.33	2.27	0.70	1.68	1.65	0.40		
	172718-6111			NA	1.65-2.38	3.14	3.09	1.00					
	LOOSE		172718-1121	BRASS	16	NA	1.98-2.55	3.27	3.43	1.00	2.35	2.90	0.70
			172718-2121			NA	2.55-3.14	3.74	3.66	1.43			
			172718-3121		18-20	NA	1.42-2.10	2.77	2.77	0.85	2.00	2.30	0.55
			172718-4121			22+22 AWG	2.10-2.85	3.36	3.37	1.25			
172718-5121		22-24	NA		1.07-1.65	2.33	2.27	0.70	1.68	1.65	0.40		
172718-5123			NA		1.07-1.65	2.33	2.27	0.70					
172718-6121		22-24	NA		1.65-2.38	3.14	3.09	1.00	1.68	1.65	0.40		
172718-1112			NA		1.98-2.55	3.27	3.43	1.00					
172718-2112		16	NA		2.55-3.14	3.74	3.66	1.43	2.35	2.90	0.70		
172718-3112			NA		1.42-2.10	2.77	2.77	0.85					
172718-4112	18-20	NA	2.10-2.85	3.36	3.37	1.25	2.00	2.30	0.55				
172718-5112		NA	1.07-1.65	2.33	2.27	0.70							
172718-6112	22-24	NA	1.65-2.38	3.14	3.09	1.00	1.68	1.65	0.40				
172718-1122		NA	1.98-2.55	3.27	3.43	1.00							
172718-2122	16	NA	2.55-3.14	3.74	3.66	1.43	2.35	2.90	0.70				
172718-3122		NA	1.42-2.10	2.77	2.77	0.85							
172718-4122	18-20	NA	2.10-2.85	3.36	3.37	1.25	2.00	2.30	0.55				
172718-5122		NA	1.07-1.65	2.33	2.27	0.70							
172718-6122	22-24	NA	1.65-2.38	3.14	3.09	1.00	1.68	1.65	0.40				



THIS DRAWING CONTAINS INFORMATION THAT IS PROPRIETARY TO MOLEX ELECTRONIC TECHNOLOGIES, LLC AND SHOULD NOT BE USED WITHOUT WRITTEN PERMISSION											
DIMENSION UNITS		SCALE		CURRENT REV DESC:							
mm		NTS									
GENERAL TOLERANCES (UNLESS SPECIFIED)				EC NO: 746659				<b>CRIMP TERMINAL RECEPTACLE MINI-FIT TPA2 AND SIGMA</b>			
ANGULAR TOL ± °				DRWN: JERRYW8 2023/04/19							
4 PLACES ±				CHK'D: XQZHANG 2023/04/21				<b>PRODUCT CUSTOMER DRAWING</b>			
3 PLACES ±				APPR: XQZHANG 2023/04/21							
2 PLACES ± 0.2				INITIAL REVISION:				DOCUMENT NUMBER: <b>SD-172718-0000</b>   DOC TYPE: PSD   DOC PART: 000   REVISION: D7			
1 PLACE ± 0.2				DRWN: TGREGORI 2014/09/09							
0 PLACES ±				APPR: TGREGORI 2014/09/24				MATERIAL NUMBER:   CUSTOMER: GENERAL MARKET   SHEET NUMBER: 2 OF 2			
DRAFT WHERE APPLICABLE MUST REMAIN WITHIN DIMENSIONS				THIRD ANGLE PROJECTION		DRAWING: C-SIZE					