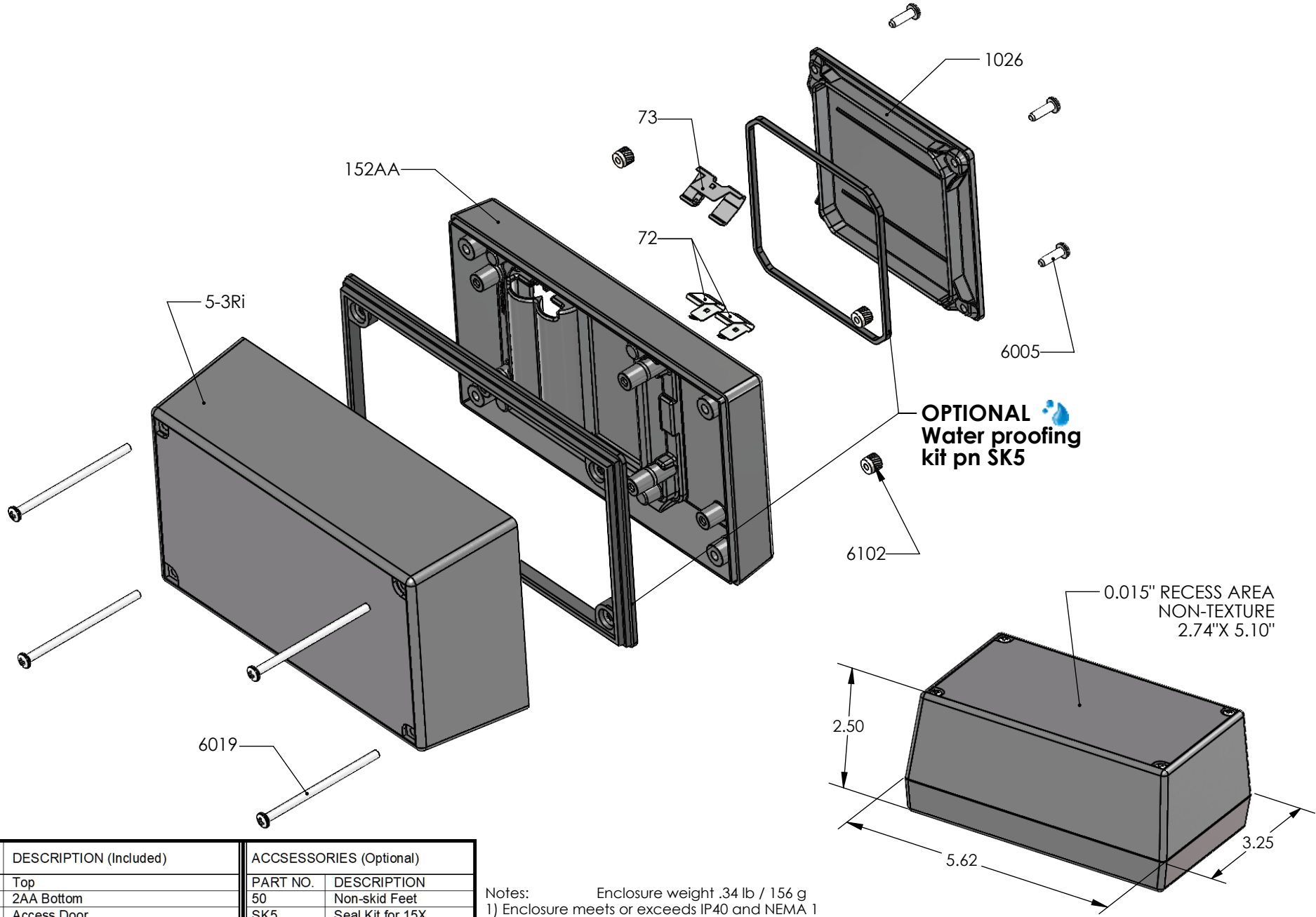


# SERPAC 153Ri2AA (exploded isometric)

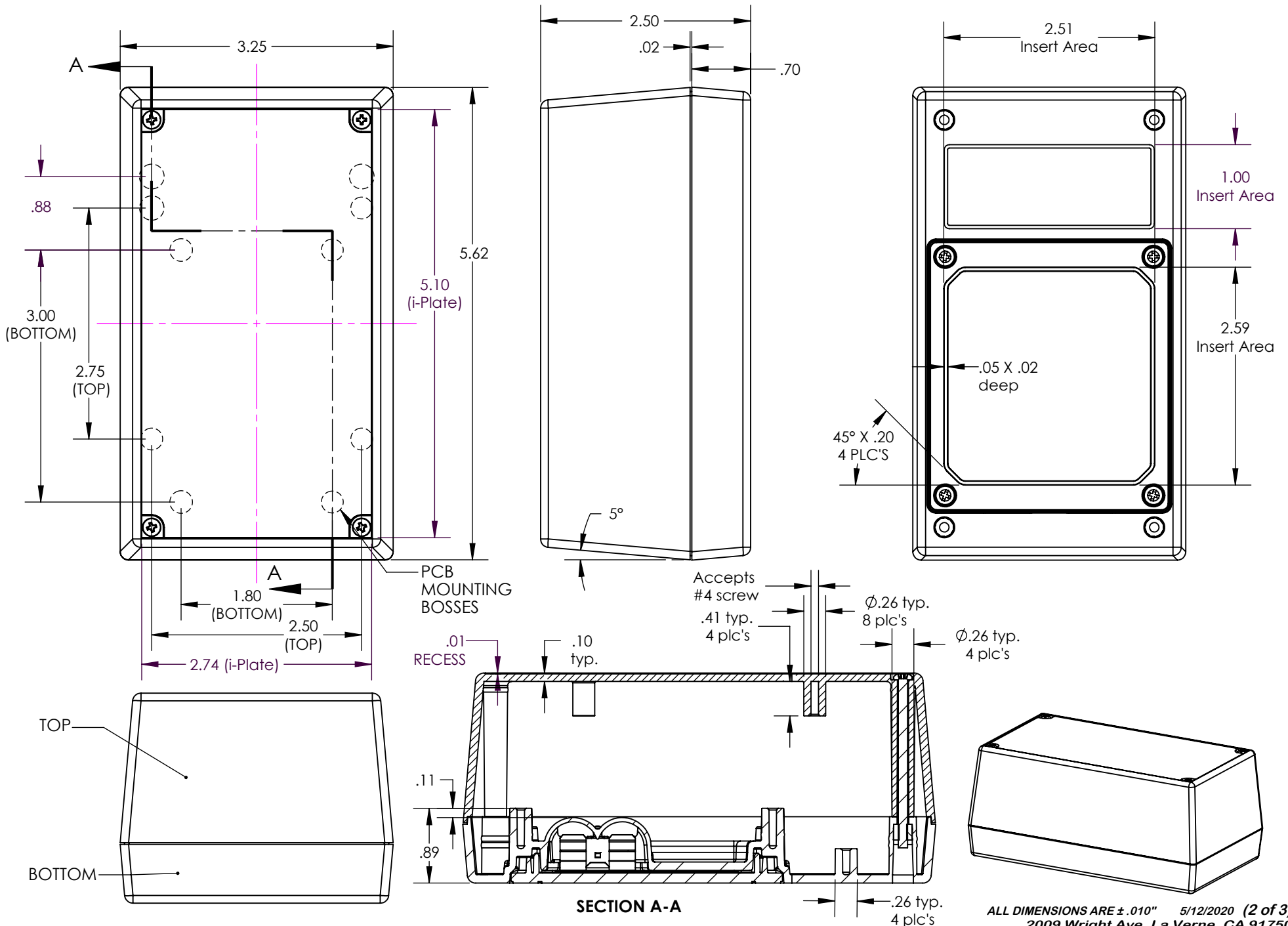
Electronic Enclosures



PART NO.	DESCRIPTION (Included)	PART NO.	DESCRIPTION (Optional)
5-3Ri	Top	50	Non-skid Feet
152AA	2AA Bottom	SK5	Seal Kit for 15X
1026	Access Door		
6005	#4X3/8" Self-Tapping Screw (4)		
6019	4-40 Screw (4)		
6102	4-40 Threaded Insert (4)		
73	Double Battery Contact (3)		
72	Single Battery Contact (2)		

Notes: Enclosure weight .34 lb / 156 g  
 1) Enclosure meets or exceeds IP40 and NEMA 1  
 2) When used with SK5 the enclosure meets or exceeds IP 67 and NEMA 4X, 12 and 13 MIL-STD-810G 506.5 (.02 lb / 11g)  
 3) Circuit Board drawings see sheet 3.  
 4) All components are RoHS Compliant.

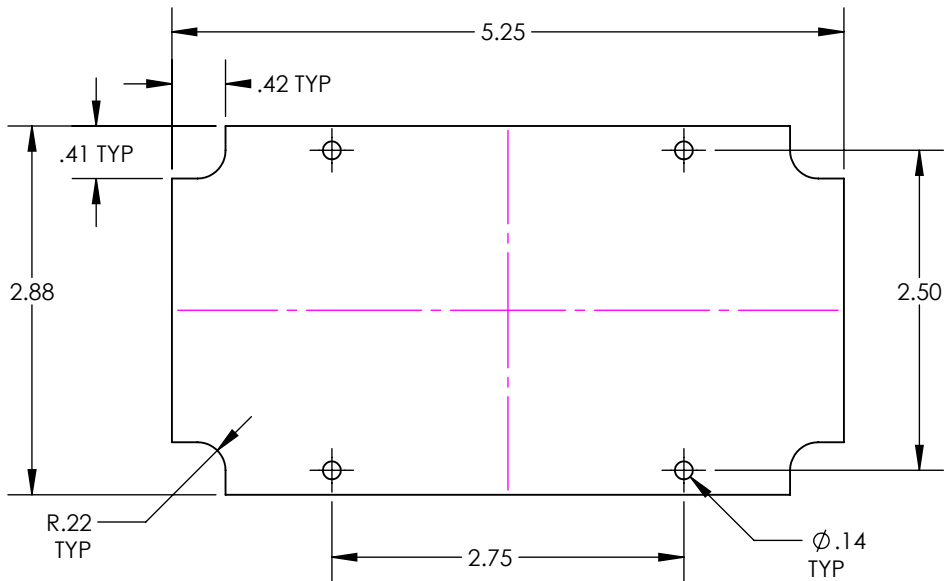
# 153Ri2AA



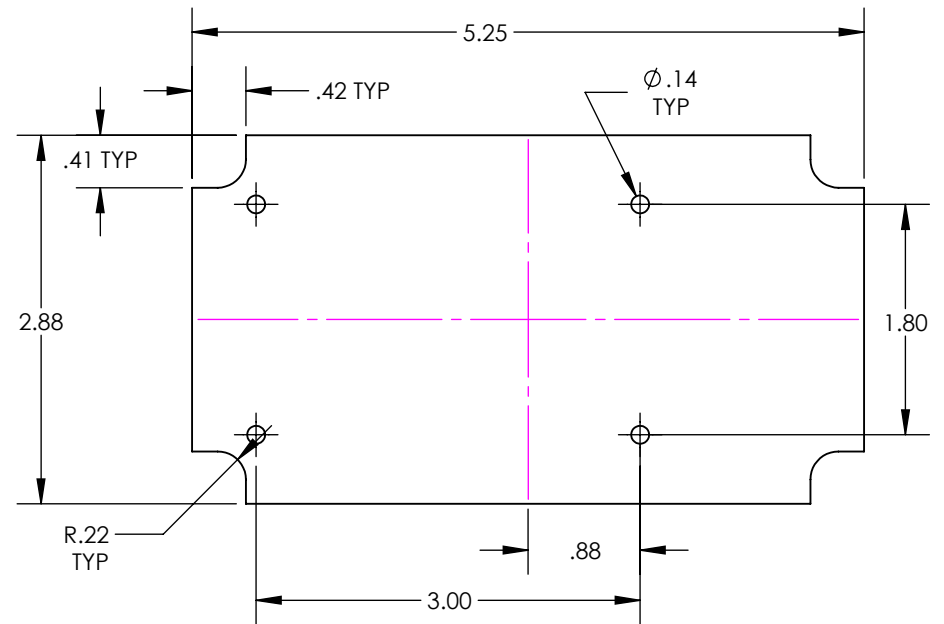
ALL DIMENSIONS ARE ±.010" 5/12/2020 (2 of 3)  
2009 Wright Ave. La Verne, CA 91750  
Ph. (626) 331-0517 Fx. (626) 331-8584 www.serpac.com

# PCB for 15X compartment enclosures

## CIRCUIT BOARD FOR TOP



## CIRCUIT BOARD FOR BOTTOM



## SMALL CIRCUIT BOARD FOR BOTTOM

