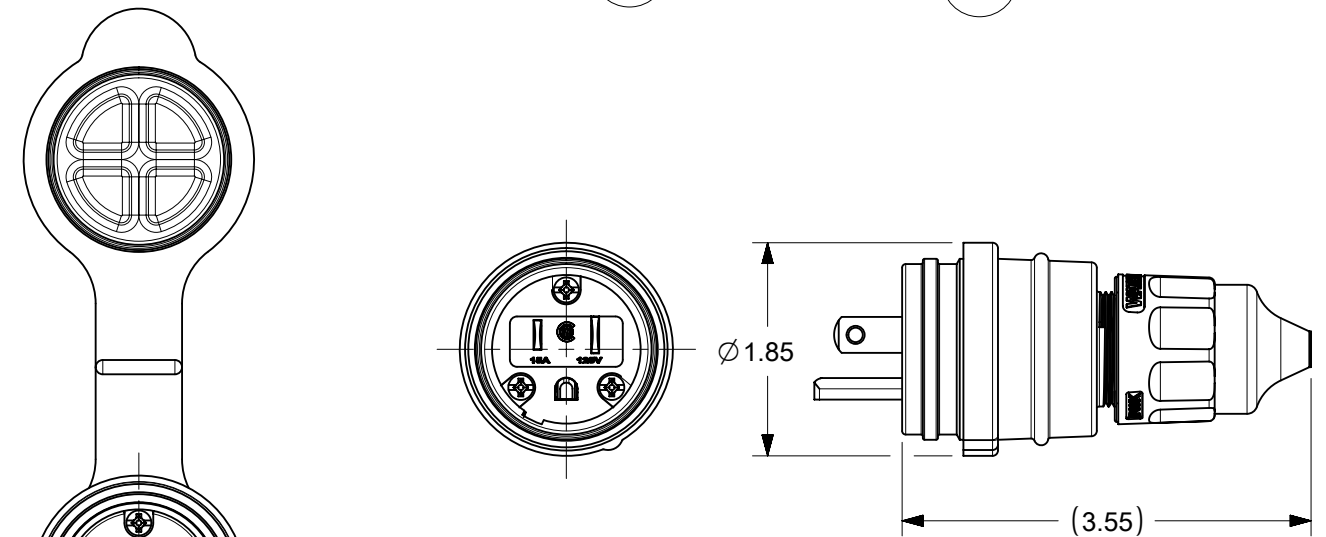
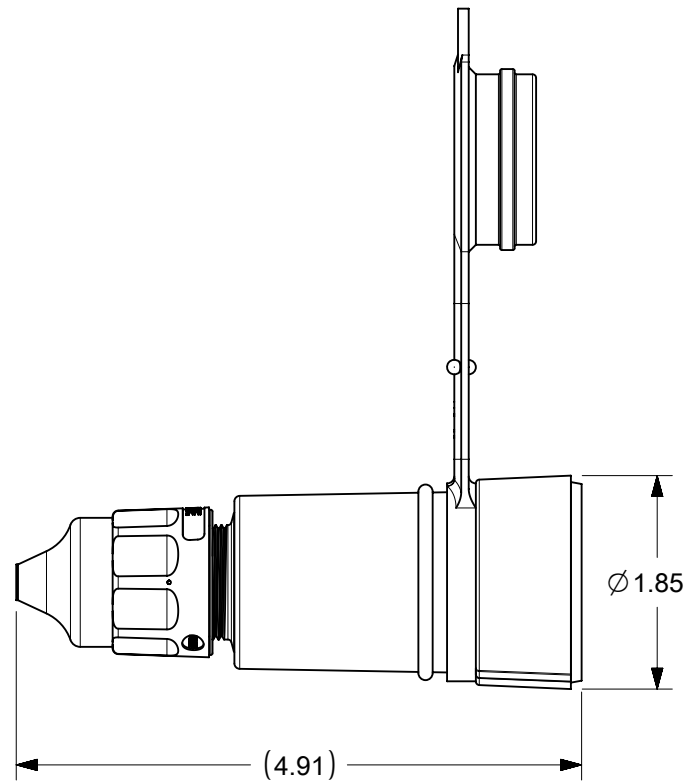
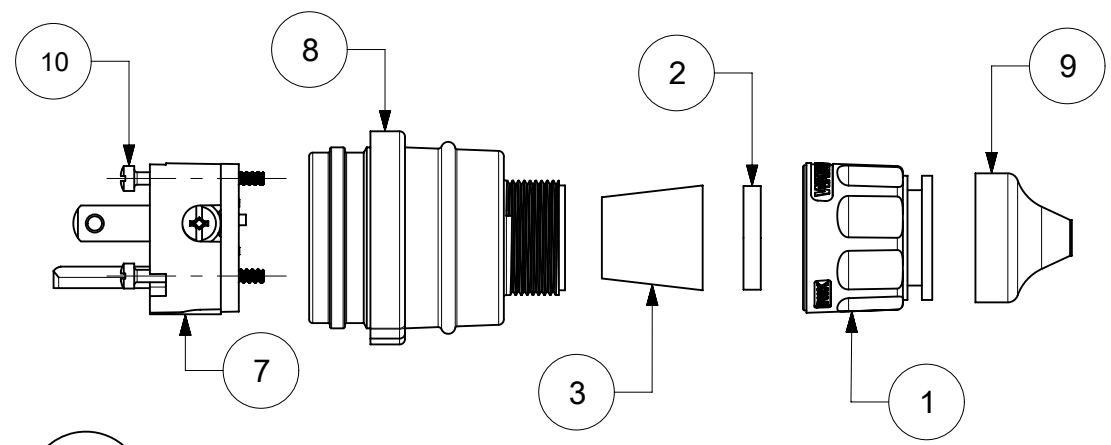
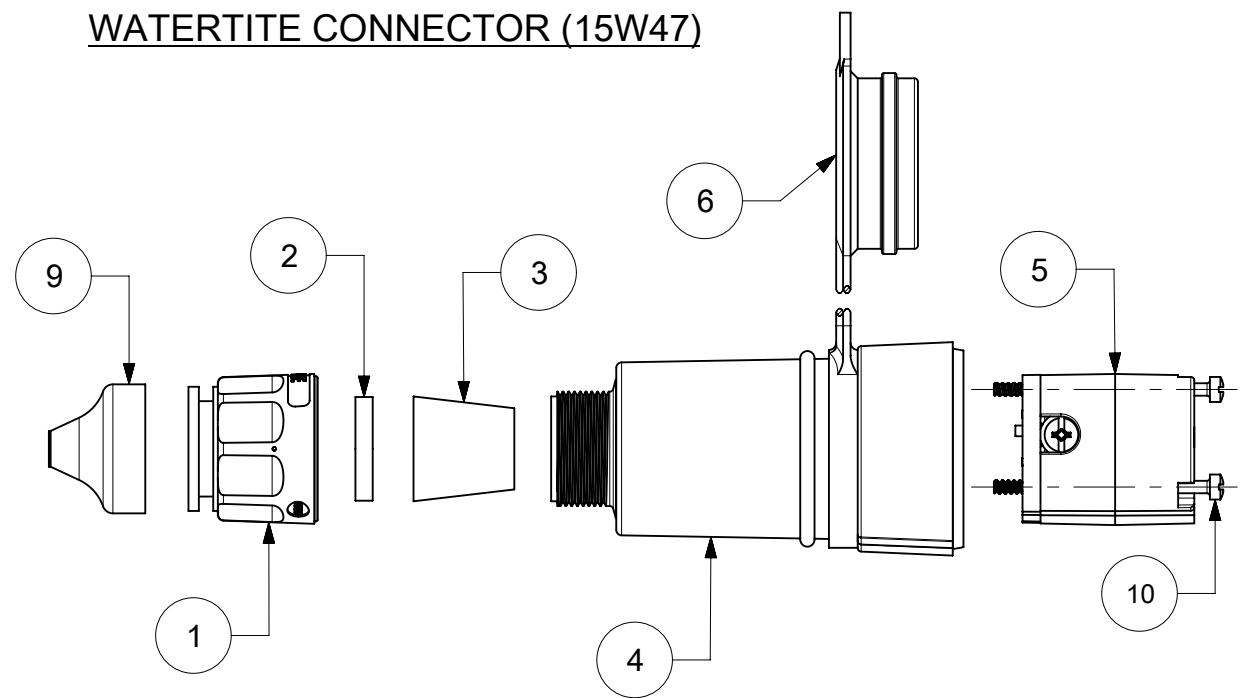


**WATERTITE CONNECTOR (15W47)**

**WATERTITE PLUG (14W47)**



PRE-RELEASE  
REFERENCE  
USE ONLY

ITEM NO.	DESCRIPTION	MATERIAL	QTY.
1	COMPRESSION NUT YELLOW	NYLON	2
2	FRICION RING	NYLON	2
3	GROMMET	RUBBER	11
4	WATERTITE - FEMALE HUSK	SILICONE	1
5	FEMALE INSERT ASSY.	NYLON, POLYCARBONATE, BRASS PLATING - NICKEL OR ZINC	1
6	CLOSURE CAP YELLOW	SILICONE	1
7	MALE INSERT ASSY.	NYLON, POLYCARBONATE, BRASS PLATING - NICKEL OR ZINC	1
8	WATERTITE - MALE HUSK	SILICONE	1
9	CABLE GLOVE	SILICONE	2
10	RETAINING SCREW	STAINLESS STEEL	6

MATERIAL NO.	ENGINEERING NO.	DESCRIPTION
1301460003	05630	14W47 & 15W47 W/1 EA 00-4940 PACKED IN PEB

THIS DRAWING CONTAINS INFORMATION THAT IS PROPRIETARY TO MOLEX ELECTRONIC TECHNOLOGIES, LLC AND SHOULD NOT BE USED WITHOUT WRITTEN PERMISSION			
SYMBOLS	DIMENSION UNITS	SCALE	CURRENT REV DESC: NEW RELEASE
▽ = 0	INCH	NTS	EC NO: 629190 DRWN: PPURSUTANDEL 2019/09/10 CHK'D: DNGUYEN62 2019/12/17 APPR: INITIAL REVISION: DRWN: PPURSUTANDEL 2019/09/10 APPR:
▽ = 0	GENERAL TOLERANCES (UNLESS SPECIFIED)		
▽ = 0	ANGULAR TOL ± °		
▽ = 0	4 PLACES	±	
▽ = 0	3 PLACES	±	
▽ = 0	2 PLACES	±	
▽ = 0	1 PLACE	±	
▽ = 0	0 PLACES	±	
■ = 0	DRAFT WHERE APPLICABLE MUST REMAIN WITHIN DIMENSIONS		THIRD ANGLE PROJECTION
▽ = 0			DRAWING SERIES
			B-SIZE 130146

PRODUCT CUSTOMER DRAWING			
DOCUMENT NUMBER	DOC TYPE	DOC PART	REVISION
1301460003	PSD	000	A

MATERIAL NUMBER	CUSTOMER	SHEET NUMBER
SEE CHART	GENERAL MARKET	1 OF 1