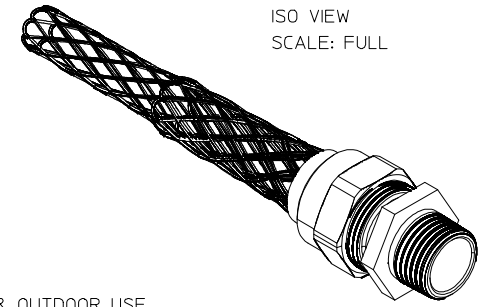


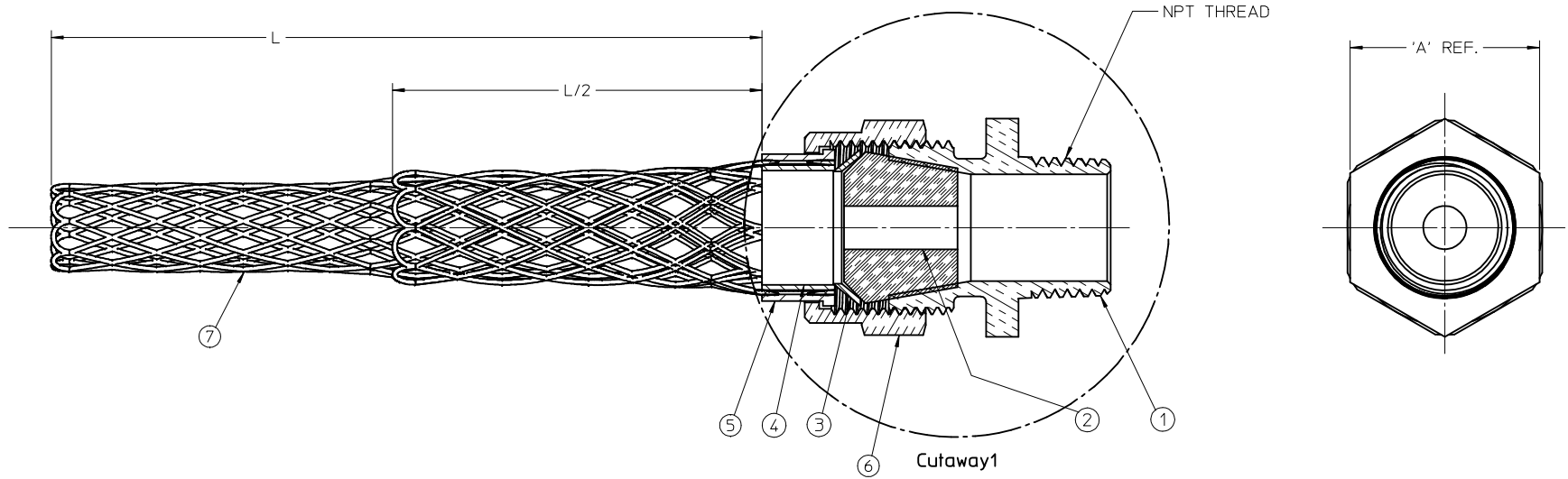
PART NO.	ENGINEERING NO.	CABLE RANGE	THREAD SIZE	'A' HEX	'L' LENGTH	L/2 LENGTH
1300970250	36490	.19-.25 / 4.8-6.4	3/8 NPT	.88 / 22.4	4.25 / 108.0	2.13 / 54.0
1300970225	36430	.25-.31 / 6.4-7.9				2.13 / 54.0
1300970226	36431	.31-.38 / 7.9-9.7				2.13 / 54.0
1300970227	36432	.38-.44 / 9.7-11.2			5.50 / 140.0	2.75 / 69.9
1300970160	36250	.19-.25 / 4.8-6.4	1/2 NPT	1.09 / 27.7	4.00 / 102.0	2.00 / 51.0
1300970161	36251	.25-.38 / 6.4-9.7			4.50 / 114.0	2.25 / 57.0
1300970163	36254	.38-.50 / 9.7-12.7			6.25 / 159.0	3.13 / 79.5
1300970165	36256	.50-.63 / 12.7-16.0			7.00 / 178.0	3.50 / 89.0
1300970156	36245	.63-.75 / 16.0-19.0				
1300970157	36246	.75-.88 / 19.0-22.4				
1300970166	36257	.25-.38 / 6.4-9.7	3/4 NPT	1.15 / 29.2	5.63 / 143.0	2.82 / 71.5
1300970167	36259	.38-.50 / 9.7-12.7			6.25 / 159.0	3.13 / 79.5
1300970168	36261	.50-.63 / 12.7-16.0			7.00 / 178.0	3.50 / 89.0
1300970170	36263	.63-.75 / 16.0-19.0			9.50 / 241.3	4.75 / 120.7
1300970158	36248	.75-.88 / 19.0-22.4			9.25 / 235.0	4.63 / 117.5



ISO VIEW
SCALE: FULL

NOTES:

1. MATERIAL: SEE TABLE
2. FINISHES: SEE TABLE
3. SUITABLE FOR INDOOR & OUTDOOR USE
4. SUITABLE FOR HAZARDOUS LOCATIONS
CLASS 1 DIV.2, CLASS2 DIV. 1 & 2
CLASS 3 DIV. 1 & 2
5. STAIN RELIEF FORCE: 35 LBS.
6. ASSEMBLY IS RoHS COMPLIANT



7	1	WIRE MESH	ST. STEEL	
6	1	COMPRESSION NUT	ALUMINUM	
5	1	OUTER RING	ALUMINUM	
4	1	INNER RING	ALUMINUM	
3	1	FRICTION RING	STEEL	ZINC PLATED
2	2	GROMMET	RUBBER	BLACK
1	1	CORD GRIP BODY	ALUMINUM	
ITEM	QTY.	DESCRIPTION	MATERIAL	FINISH

RELEASED	EC NO: WNA2009-0602
DRWNR:STONE	2009/03/24
CHKD:B. WOODMAN	
APPR:J.MURPHY	2009/04/01
REV	DESCRIPTION

QUALITY SYMBOLS
 ▽=0
 ▽=0

GENERAL TOLERANCES (UNLESS SPECIFIED)

	mm	INCH
4 PLACES ±	---	---
3 PLACES ±	---	---
2 PLACES ±	---	±.01
1 PLACE ±	0.3	---

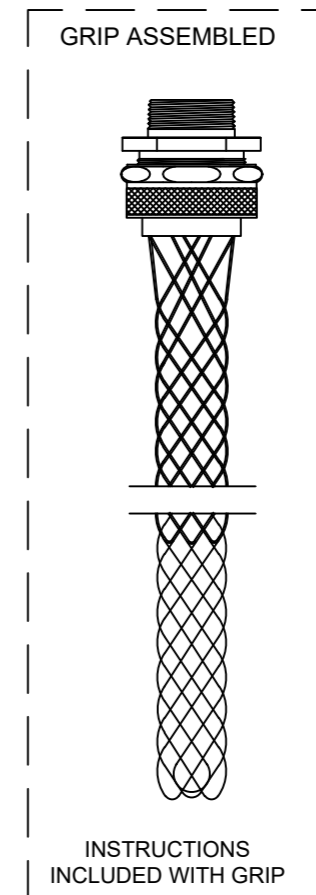
ANGULAR ±1/2°

DRAFT WHERE APPLICABLE
MUST REMAIN
WITHIN DIMENSIONS

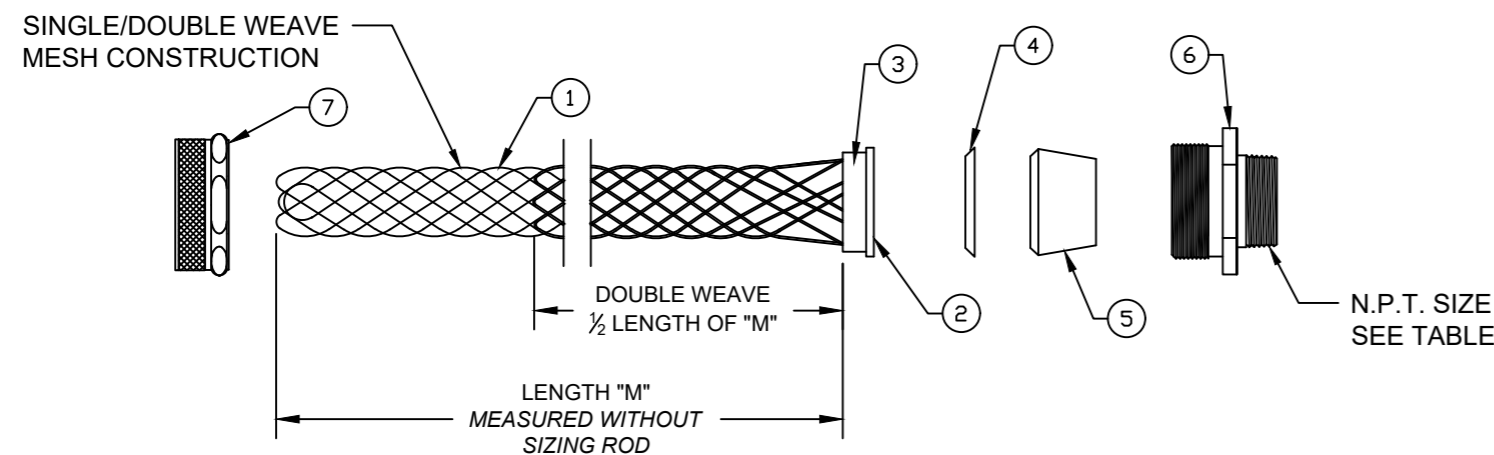
DIMENSION STYLE	
IN/MM	
DRAWN BY	DATE
R. STONE	2009/03/20
CHECKED BY	DATE
B. WOODMAN	2008/03/24
APPROVED BY	DATE
J. MURPHY	2009/03/26
MATERIAL NO.	
SEE CHART	
SIZE	

SCALE	DESIGN UNITS	THIRD ANGLE PROJECTION
2:1	INCH	☉
TITLE		
DELUXE CORD GRIP STRAIGHT, MALE THREAD		
MOLEX INCORPORATED		
DOCUMENT NO.	SD-130097-004	SHEET NO. 1 OF 1
THIS DRAWING CONTAINS INFORMATION THAT IS PROPRIETARY TO MOLEX INCORPORATED AND SHOULD NOT BE USED WITHOUT WRITTEN PERMISSION		

CATALOG NUMBER	MATERIAL NUMBER	CABLE RANGE	LENGTH "M"	N.P.T. FITTING SIZE	FORM SIZE	UL LISTED	CSA APPROVED	PRODUCT SELECTION NUMBER
36490	1300970250	.187-.250 / 4.75-6.35	4.250±0.500 / 107.95±12.70	3/8	1	UL	CSA	PG304
36430	1300970225	.250-.312 / 6.35-7.92	4.250±0.500 / 107.95±12.70					PG305
36431	1300970226	.312-.375 / 7.92-9.53	4.250±0.500 / 107.95±12.70					PG306
36432	1300970227	.375-.437 / 9.53-11.10	5.500±0.500 / 139.70±12.70					PG307
36250	1300970160	.187-.250 / 4.75-6.35	4.250±0.500 / 107.95±12.70	1/2	2	UL	CSA	PG404
36251	1300970161	.250-.375 / 6.35-9.53	4.250±0.500 / 107.95±12.70					PG406
36254	1300970163	.375-.500 / 9.53-12.70	6.250±0.500 / 158.75±12.70					PG408
36256	1300970165	.500-.625 / 12.70-15.88	6.500±0.500 / 165.10±12.70					PG410
36245	1300970156	.625-.750 / 15.88-19.05	8.500±1.000 / 209.55±25.40	3	---	---	CSA	PG412
36246	1300970157	.750-.875 / 19.05-22.23	9.250±1.000 / 234.95±25.40					PG414
36247	-----	.187-.250 / 4.75-6.35	4.250±0.500 / 107.95±12.70	3/4	2	---	---	PG604
36257	1300970166	.250-.375 / 6.35-9.53	4.250±0.500 / 107.95±12.70					PG606
36259	1300970167	.375-.500 / 9.53-12.70	6.250±0.500 / 158.75±12.70					PG608
36261	1300970168	.500-.625 / 12.70-15.88	6.250±0.500 / 158.75±12.70					PG610
36263	1300970170	.625-.750 / 15.88-19.05	8.500±1.000 / 209.55±25.40	3	UL	---	CSA	PG612
36248	1300970158	.750-.875 / 19.05-22.23	9.250±1.000 / 234.95±25.40					PG614
36249	1300970159	.437-.562 / 11.10-14.27	5.750±0.500 / 146.05±12.70	1	4	---	---	PG808
36275	1300970179	.562-.687 / 14.27-17.45	6.500±0.500 / 165.10±12.70					PG810
36265	1300970171	.625-.750 / 15.88-19.05	8.500±1.000 / 209.55±25.40					PG812
36267	1300970172	.750-.875 / 19.05-22.23	9.250±1.000 / 234.95±25.40					PG814
36269	1300970173	.875-1.000 / 22.23-25.40	8.125±1.000 / 206.38±25.40	5	---	---	CSA	PG816
36270	1300970174	1.000-1.125 / 25.40-28.58	9.000±1.000 / 228.60±25.40					PG818
36276	1300970180	1.125-1.250 / 28.58-31.75	10.000±1.000 / 254.00±25.40					PG820



ITEM	DESCRIPTION	MATERIAL
1	WIRE MESH	STAINLESS STEEL
2	INNER RING	ALUMINUM
3	OUTER RING	ALUMINUM
4	FRICTION RING	ZINC PLATED STEEL
5	GROMMET	RUBBER
6	THREADED BODY	ALUMINUM
7	COMPRESSION NUT	ALUMINUM



FUNCTIONAL SYMBOLS	THIS DRAWING CONTAINS INFORMATION THAT IS PROPRIETARY TO MOLEX ELECTRONIC TECHNOLOGIES, LLC AND SHOULD NOT BE USED WITHOUT WRITTEN PERMISSION										
	DIMENSION UNITS		SCALE		CURRENT REV DESC: UPDATE CABLE RANGE FOR 36249 AND 36275 NUMBERS						
	INCH/MM		NTS		EC NO: 699853						
	GENERAL TOLERANCES (UNLESS SPECIFIED)				DRWN: VOU 2022/03/16						
4 PLACES ±---		±---		CHK'D: DACHAMMER 2022/03/21							
3 PLACES ±---		±0.005		APPR: HKNEELAND 2022/03/25							
2 PLACES ±0.13		±0.01		INITIAL REVISION:							
1 PLACE ±0.25		±0.02		DRWN: HRUIZ01 2014/10/20							
0 PLACES ±---		±---		APPR: JFMURPHY 2016/05/04							
ANGULAR TOL ± 0.5 °				THIRD ANGLE PROJECTION							
DRAFT WHERE APPLICABLE MUST REMAIN WITHIN DIMENSIONS				DRAWING		SERIES		MATERIAL NUMBER		CUSTOMER	SHEET NUMBER
				B-SIZE		130097		SEE TABLE		GENERAL MARKET	1 OF 1