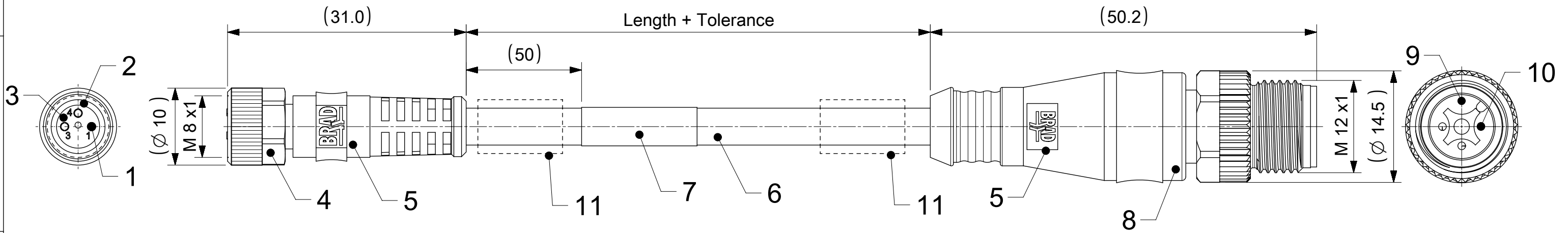
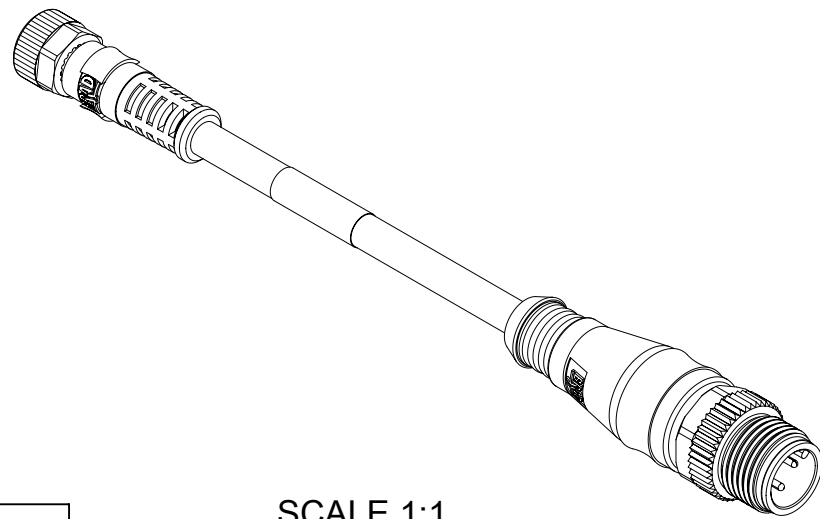


FEMALE PLUG M8 STRAIGHT TO MALE PLUG M12 STRAIGHT WSOR CABLES



NOTES:

- RATED VOLTAGE: 3 contacts 60V AC/DC
4 and 5 contacts 30V AC/DC
- CURRENT RATING: 3, 4, 5 contacts 3A
- PROTECTION CLASS: IP 67
- TEMPERATURE: -25°C / +80°C



SCALE 1:1

CONTACTS POSITION FRONT VIEW:

	3 CONTACTS		4 CONTACTS		5 CONTACTS	
M8 - FEMALE						
M12 - MALE						
CONNECTIONS	PIN	WIRE	PIN	WIRE	PIN	WIRE
	1	BROWN	1	BROWN	1	BROWN
	3	BLUE	2	WHITE	2	WHITE
	4	BLACK	3	BLUE	3	BLUE
			4	BLACK	4	BLACK
				5	GREY	

CODING M8 ACCORDING TO IEC 61076-2-104
CODING M12 ACCORDING TO IEC IEC 61076-2-101

FOR OPTIONS SEE - NUMERICAL CODE - ON SHEET 2

ITEM	QTY.	DESCRIPTION	MATERIAL	FINISH
11	0 / 2	ID CARRIER (SEE MATRIX)	PVC	-
10	3 / 4 / 5	CONTACT M8 MALE	COPPER	SELECTIVE Au OVER Ni
9	1	INSERT MALE M12 BLACK	TPU	---
8	1	COUPLING NUT M12 MALE SW13	BRASS	SEE PART LIST
7	1	LABEL YELLOW	VINYL	---
6	-	CABLE	SEE SHEET 2	---
5	-	OVERMOULDING	TPU	SEE MATRIX
4	1	COUPLING NUT M8 FEMALE SW9	BRASS	NICKEL
3	1	INSERT FEMALE M8 BLACK	TPU	---
2	1	O-RING RED	FKM	---
1	3 / 4 / 5	CONTACT M8 FEMALE	COPPER	SELECTIVE Au OVER Ni

SYMBOLS ▽ = 0 DIMENSION UNITS ▽ = 0 SCALE ▽ = 0 GENERAL TOLERANCES (UNLESS SPECIFIED) ▽ = 0 ANGULAR TOL ± 1.0° ▽ = 0 4 PLACES ± ▽ = 0 3 PLACES ± ▽ = 0 2 PLACES ± 0.05 ▽ = 0 1 PLACE ± 0.3 ▽ = 0 0 PLACES ± 0.5 ■ = 0 DRAFT WHERE APPLICABLE MUST REMAIN WITHIN DIMENSIONS ▽ = 0	THIS DRAWING CONTAINS INFORMATION THAT IS PROPRIETARY TO MOLEX ELECTRONIC TECHNOLOGIES, LLC AND SHOULD NOT BE USED WITHOUT WRITTEN PERMISSION CURRENT REV DESC: ADDED NEW PNS			
	EC NO: 616759 DRWN: MDHARMANTI 2019/05/06 CHK'D: RSILLER 2019/05/09 APPR: RSILLER 2019/05/09		CSE M8 M12 XP ACBC FE STR WSOR MA STR XM	
	INITIAL REVISION: DRWN: JMARSZALEK 2016/09/14 APPR: MIWASIECZKO 2017/11/28		PRODUCT CUSTOMER DRAWING	
	THIRD ANGLE PROJECTION		DRAWING A3-SIZE	SERIES 120087
MATERIAL NUMBER SEE SHEET 3		CUSTOMER GENERAL MARKET		SHEET NUMBER 1 OF 3

ENGINEERING NO. - NUMERICAL CODE (Available parts see PART LIST table. Other parts available upon request).

OPTIONS

4 8 X 0 3 0 B X X X X X X X

48=Nano-Change
M8x1 to
Micro-Change
M12x1

Poles:
3=3 Poles
4=4 Poles
5=5 Poles

Heads style:
030=Plug Female Straight
to Plug Male Straight

Cable type: See Table

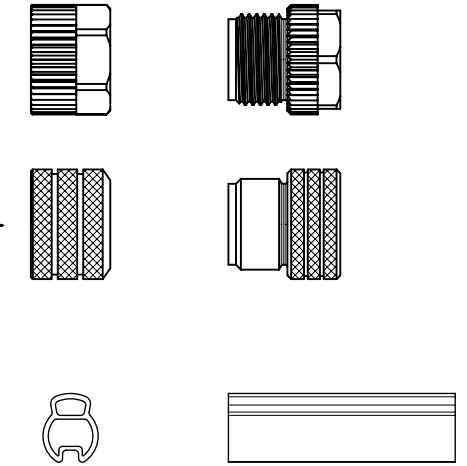
Units:
M=Meter

Length
Examples:
005=0.5 units
010=1 units
100=10 units

Overmold color:
Blank (Standard)=Black
Y = YELLOW

Coupling Nut:
Blank (Standard)= Knurled/Hex
Brass, Ni Plated
7= Knurled Brass Ni plated,
Teflon Coated

H= 2 pcs. of
I/D Carrier PVC Transparent
(Cables B36 always with 2 pcs,
I/D Carrier)



CABLE INFORMATION (for more information see Cable Data Sheet).

CABLE TYPE	NO. OF WIRES	CROSS SECTION	CABLE JACKET	UL	CSA	STATIC: TEMP. / BENDING RADIUS	DYNAMIC: TEMP. / BENDING RADIUS	DRAG CHAIN: TEMP. / BENDING RADIUS	DRAG CHAIN	CABLE PRODUCT SPECIFICATION	CABLE SPEC. DRAWING
B41	3 / 4 / 5	0.25mm ²	TPU Black	UL 21215/758	C22.2 I/II A/B 80°/600V	-40°C to +90°C >5xO.D.	-25°C to +80°C >7.5xO.D.	-5°C to +60°C >7.5xO.D.	up to 5 000 000 cycles at temp 20°C	1552200001	SD-120209-001
B55	3 / 4	0.34mm ²	TPU Yellow								n/a
B36	3/4	0.34mm ²	TPU Orange								SD-120209-001

CABLE LENGTH TOLERANCES

LENGTH	TOLERANCE
0m-1m	+40 mm
>1m-5m	+60 mm
>5m-10m	+80 mm
>10m-20m	+140 mm
>20m-30m	+160 mm
>30m	+1% length

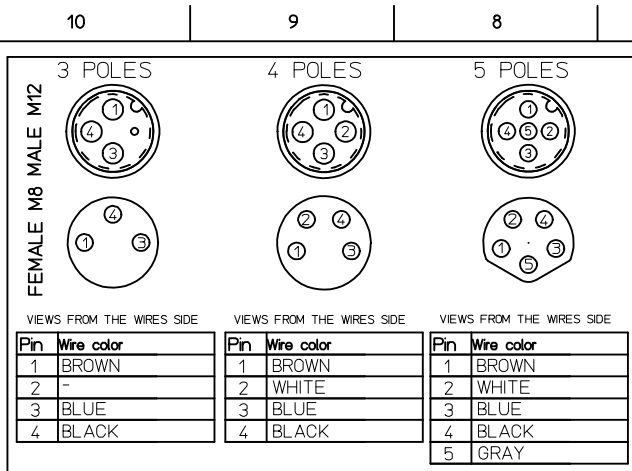
SYMBOLS ▽ = 0 ▽ = 0 ▽ = 0 ▽ = 0 ▽ = 0 ▽ = 0 ▽ = 0 ▽ = 0 ▽ = 0 ▽ = 0	THIS DRAWING CONTAINS INFORMATION THAT IS PROPRIETARY TO MOLEX ELECTRONIC TECHNOLOGIES, LLC AND SHOULD NOT BE USED WITHOUT WRITTEN PERMISSION	DIMENSION UNITS: mm SCALE: 2:1	CURRENT REV DESC: ADDED NEW PNS			
	GENERAL TOLERANCES (UNLESS SPECIFIED) ANGULAR TOL ± 1.0°	EC NO: 616759 DRWN: MDHARMANTI 2019/05/06 CHK'D: RSILLER 2019/05/09 APPR: RSILLER 2019/05/09	CSE M8 M12 XP ACBC FE STR WSOR MA STR XM			
	4 PLACES ± 3 PLACES ± 2 PLACES ± 0.05 1 PLACE ± 0.3 0 PLACES ± 0.5	INITIAL REVISION: DRWN: JMARSZALEK 2016/09/14 APPR: MIWASIECZKO 2017/11/28	PRODUCT CUSTOMER DRAWING			
	DRAFT WHERE APPLICABLE MUST REMAIN WITHIN DIMENSIONS	THIRD ANGLE PROJECTION 	DRAWING: A3-SIZE SERIES: 120087	MATERIAL NUMBER: 1200878806 CUSTOMER: GENERAL MARKET	DOC TYPE: PSD DOC PART: 000 REVISION: A2	SHEET NUMBER: 2 OF 3

PART LIST

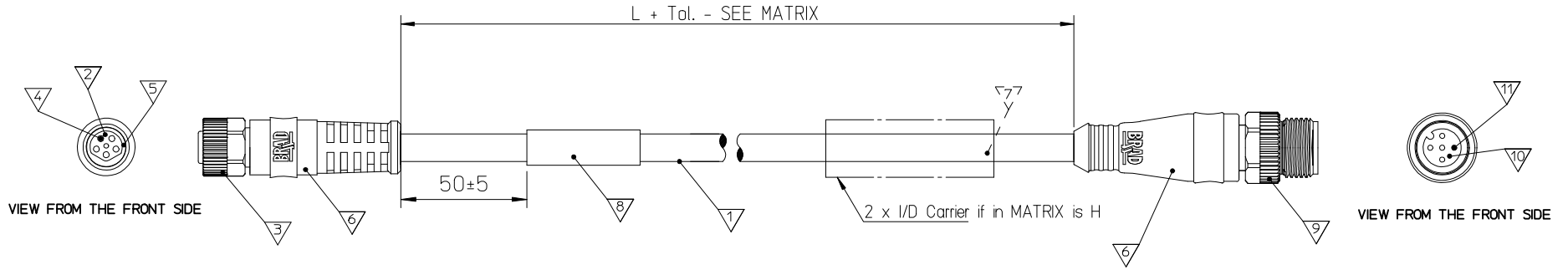
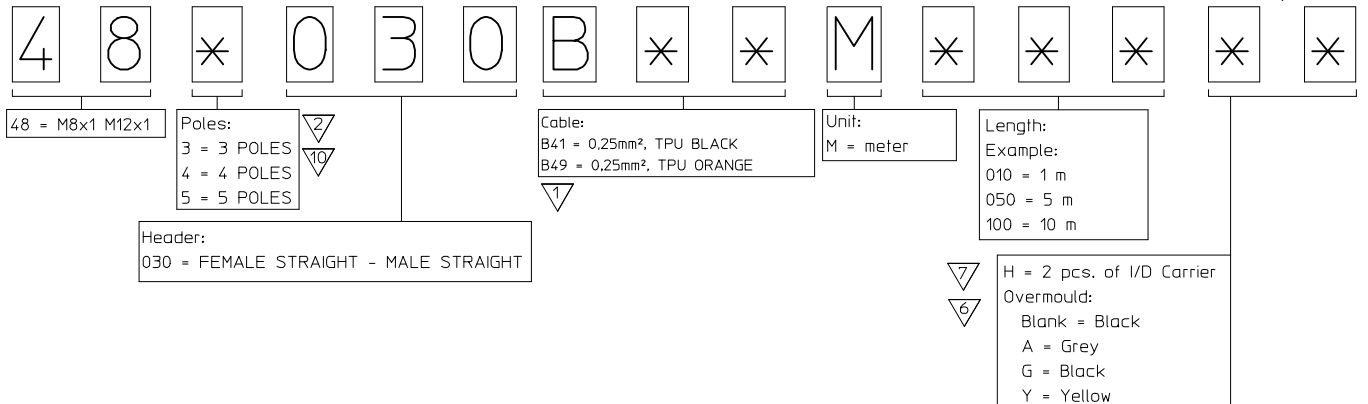
No	Part No	Engineering No	Cable Length (mm)
1	1200878784	483030B41M030	3000
2	1200878785	483030B41M050	5000
3	1200878786	483030B41M100	10000
4	1200878793	484030B41M006	600
5	1200878794	484030B41M010	1000
6	1200878795	484030B41M020	2000
7	1200878796	484030B41M030	3000
8	1200878797	484030B41M050	5000
9	1200878798	484030B41M100	10000
10	1200878805	483030B41M006	600
11	1200878806	483030B41M010	1000
12	1200878807	483030B41M020	2000
13	1200878922	483030B55M050	5000
26	1200878926	484030B41M040	4000
17	1200878929	483030B41M030H	3000
18	1200878930	483030B41M050H	5000
19	1200878931	483030B41M100H	10000
20	1200878932	484030B41M006H	600
21	1200878933	484030B41M010H	1000
22	1200878934	484030B41M020H	2000
23	1200878935	484030B41M030H	3000
24	1200878936	484030B41M050H	5000
25	1200878937	484030B41M100H	10000
14	1200878938	483030B41M006H	600
15	1200878939	483030B41M010H	1000
16	1200878940	483030B41M020H	2000
27	1200878959	483030B36M0037Y	300
28	1200878960	484030B36M0037Y	300
29	1200878958	483030B41M150	15000
30	1200878966	485030B41M005	500
31	1200878967	485030B41M010	1000
32	1200878968	485030B41M015	1500
33	1200878969	485030B41M020	2000
34	1200878970	485030B41M025	2500

SYMBOLS	THIS DRAWING CONTAINS INFORMATION THAT IS PROPRIETARY TO MOLEX ELECTRONIC TECHNOLOGIES, LLC AND SHOULD NOT BE USED WITHOUT WRITTEN PERMISSION	
	DIMENSION UNITS	SCALE
= 0	mm	2:1
= 0	GENERAL TOLERANCES (UNLESS SPECIFIED)	
= 0	ANGULAR TOL ± 1.0 °	
= 0	4 PLACES ±	CURRENT REV DESC: ADDED NEW PNS
= 0	3 PLACES ±	
= 0	2 PLACES ± 0.05	EC NO: 616759
= 0	1 PLACE ± 0.3	DRWN: MDHARMANTI 2019/05/06
= 0	0 PLACES ± 0.5	CHK'D: RSILLER 2019/05/09
= 0	DRAFT WHERE APPLICABLE MUST REMAIN WITHIN DIMENSIONS	APPR: RSILLER 2019/05/09
= 0	THIRD ANGLE PROJECTION	INITIAL REVISION:
= 0		DRWN: JMARSZALEK 2016/09/14
	DRAWING	APPR: MIWASIECZKO 2017/11/28
	SERIES	DOCUMENT NUMBER
	A3-SIZE	1200878806
	120087	DOC TYPE
	SEE PART LIST	PSD
	CUSTOMER	DOC PART
	GENERAL MARKET	000
	SHEET NUMBER	REVISION
	3 OF 3	A2

DOCUMENT STATUS	P1	RELEASE DATE	2019/05/09	09:26:07
-----------------	----	--------------	------------	----------



PART No MATRIX



Bill of Materials

ITEM	QTY.	DESCRIPTION	MATERIAL	FINISH
11	-	CONTACT MALE	SEE MATRIX	SEE MATRIX
10	1	INSERT M12 MALE	SEE MATRIX	SEE MATRIX
9	1	COUPLING NUT MALE M12	BRASS	Ni PLATED
8	1	LABEL	-	YELLOW
7	-	ID CARRIER	SEE MATRIX	SEE MATRIX
6	-	MOLDING MATERIAL	SEE MATRIX	SEE MATRIX
5	1	O-RING	FPM	RED
4	-	CONTACT FEMALE	SEE MATRIX	SEE MATRIX
3	1	COUPLING NUT FEMALE M8	BRASS	Ni PLATED
2	1	INSERT M8 FEMALE	SEE MATRIX	SEE MATRIX
1	-	CABLE	SEE MATRIX	SEE MATRIX

ADDED TABLE WITH PN SEE SHEET 2 EC NO: IPG2016-0473 DRW: AKONDRACIUK 2015/10/07 CHKD: MMAJGAT 2015/10/07 APPR: MIWASIECZKO 2015/11/03	QUALITY SYMBOLS 	GENERAL TOLERANCES (UNLESS SPECIFIED)		DIMENSION STYLE MM ONLY		SCALE ---	DESIGN UNITS METRIC	THIRD ANGLE PROJECTION		
			mm	INCH	DRAWN BY AKONDRACIUK DATE 2015/09/15	TITLE CSE M8 M12 XP AC FE MA TPU XM DE				
		4 PLACES	± ---	± ---	CHECKED BY MMAJGAT DATE 2015/09/15					
		3 PLACES	± ---	± ---	APPROVED BY MIWASIECZKO DATE 2015/09/29					
2 PLACES	± ---	± ---	MATERIAL NO. SEE TABLE 1		DOCUMENT NO. SD-120087-058		SHEET NO. 1 OF 2			
1 PLACE	± ---	± ---	DRAFT WHERE APPLICABLE MUST REMAIN WITHIN DIMENSIONS							
0 PLACE	± ---	± ---	THIS DRAWING CONTAINS INFORMATION THAT IS PROPRIETARY TO MOLEX INCORPORATED AND SHOULD NOT BE USED WITHOUT WRITTEN PERMISSION							

TABLE 1

MOLEX PN	ENGINEERING No	L [mm]
1200878784	483030B41M030	3000
1200878785	483030B41M050	5000
1200878786	483030B41M100	10000
1200878793	484030B41M006	600
1200878794	484030B41M010	1000
1200878795	484030B41M020	2000
1200878796	484030B41M030	3000
1200878797	484030B41M050	5000
1200878798	484030B41M100	10000
1200878805	483030B41M006	600
1200878806	483030B41M010	1000
1200878807	483030B41M020	2000

Table of length tolerances		
Over	Up to and including	Tolerance (+)
0	1000	+40 0
1000	5000	+60 0
5000	10000	+80 0
10000	20000	+140 0
20000	30000	+160 0
30000	>	+1 % of length

ADDED TABLE WITH PN SEE SHEET 2 EC NO: IPG2016-0473 DRWN: AKONDRACIUK 2015/10/20 CHKD: MMAJGAT 2015/10/20 APPR: MIWASIECZKO 2015/11/03	QUALITY SYMBOLS	GENERAL TOLERANCES (UNLESS SPECIFIED)		DIMENSION STYLE MM ONLY		SCALE ---	DESIGN UNITS METRIC	THIRD ANGLE PROJECTION		
	=0 =0		mm	INCH	DRAWN BY	DATE	TITLE			
		4 PLACES	± ---	± ---	AKONDRACIUK	2015/10/20	CSE M8 M12 XP AC FE MA			
		3 PLACES	± ---	± ---	CHECKED BY	DATE	TPU XM DE			
2 PLACES		± ---	± ---	MMAJGAT	2015/10/20					
1 PLACE	± ---	± ---	APPROVED BY	DATE	MATERIAL NO.					DOCUMENT NO.
0 PLACE	± ---	± ---	MIWASIECZKO	2015/11/03	SEE TABLE 1		SD-120087-058		SHEET NO.	
		ANGULAR ± 1 °		DRAFT WHERE APPLICABLE MUST REMAIN WITHIN DIMENSIONS		SIZE A3		THIS DRAWING CONTAINS INFORMATION THAT IS PROPRIETARY TO MOLEX INCORPORATED AND SHOULD NOT BE USED WITHOUT WRITTEN PERMISSION		