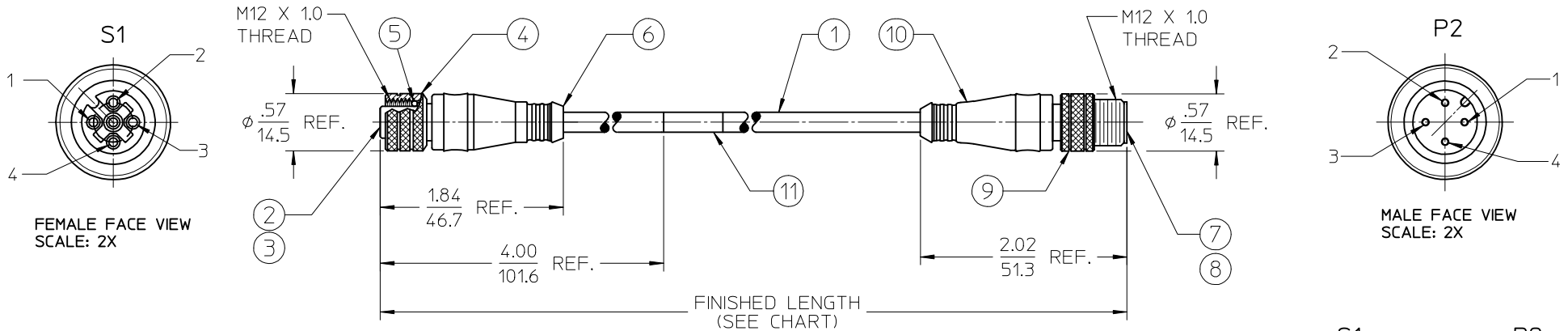


10	9	8	7
MATERIAL NO.	ENGINEERING NO.	FINISHED LENGTH	
1200661913	884030A14M010A	3' 4" +2.19-0 (1M +55.6mm-0)	
1200661914	884030A14M020A	6' 7" +3.50-0 (2M +88.9mm-0)	
1200661915	884030A14M030A	9' 10" +3.50-0 (3M +88.9mm-0)	
1200661916	884030A14M040A	13' 1" +6.50-0 (4M +165.1mm-0)	
1200661910	884030A14M050A	16' 5" +6.50-0 (5M +165.1mm-0)	
1200661917	884030A14M060A	19' 8" +6.50-0 (6M +165.1mm-0)	
1200661918	884030A14M080A	26' 3" +12.50-0 (8M +317.5mm-0)	
1200661911	884030A14M100A	32' 10" +12.50-0 (10M +317.5mm-0)	

CUSTOMER PRODUCTION APPROVAL  
 APPROVED BY:-----  
 DATE:-----  
 MUST BE SIGNED AND RETURNED BEFORE  
 PRODUCTION WILL BEGIN.

**RESTRICTED SALES DRAWING**



- NOTES:  
 1. MATERIAL: SEE TABLE  
 2. FINISHES: SEE TABLE  
 3. ELECTRICAL SPECIFICATIONS  
 VOLTAGE RATING: 250V AC/DC  
 CURRENT RATING: 4 AMPS  
 4. PROTECTION: IP67  
 5. ASSEMBLY IS RoHS COMPLIANT  
 BY EXEMPTION

S1		P2
1	BROWN	1
2	WHITE	2
3	BLUE	3
4	BLACK	4

**WIRING DIAGRAM**

ITEM	QTY.	DESCRIPTION	MATERIAL	FINISH
11	1	WRAP LABEL	VINYL	BLACK/YELLOW
10	1	OVERMOLD-MALE	PVC	GRAY
9	1	COUPLING, MALE THREAD	BRASS	NICKEL PLATED
8	4	CONTACT PIN	Cu ALLOY	GOLD PLATED
7	1	INSERT, 4P, MALE	PUR	BLACK
6	1	OVERMOLD-FEMALE	PVC	GRAY
5	1	O-RING	VITON	RED
4	1	COUPLING, FEMALE THREAD	BRASS	NICKEL PLATED
3	4	CONTACT SOCKET	Cu ALLOY	GOLD PLATED
2	1	INSERT, 4P FEMALE	PUR	BLACK
1	1	CABLE, 22-4, 300V, 105°C, PLTC	PVC JACKET	GRAY

RELEASED AS SD DOC  
 WAS RSD-120066-012  
 EC NO: IPGZ015-1245  
 DRWNRSTONE 2013/02/13  
 CHKDK JOZWIK 2013/02/27  
 APPR: JFMURPHY 2013/06/21

QUALITY SYMBOLS ▽=0 ▽=0	GENERAL TOLERANCES (UNLESS SPECIFIED)	DIMENSION STYLE IN/MM	SCALE 2:1	DESIGN UNITS INCH	THIRD ANGLE PROJECTION																	
	<table border="1"> <thead> <tr> <th></th> <th>mm</th> <th>INCH</th> </tr> </thead> <tbody> <tr> <td>4 PLACES</td> <td>± .10</td> <td>± .004</td> </tr> <tr> <td>3 PLACES</td> <td>± .15</td> <td>± .006</td> </tr> <tr> <td>2 PLACES</td> <td>± .20</td> <td>± .008</td> </tr> <tr> <td>1 PLACE</td> <td>± .30</td> <td>± .012</td> </tr> <tr> <td>0 PLACE</td> <td>± .50</td> <td>± .020</td> </tr> </tbody> </table>		mm	INCH	4 PLACES	± .10	± .004	3 PLACES	± .15	± .006	2 PLACES	± .20	± .008	1 PLACE	± .30	± .012	0 PLACE	± .50	± .020	DRAWN BY: RSTONE DATE: 2013/02/13 CHECKED BY: K JOZWIK DATE: 2013/02/27 APPROVED BY: JFMURPHY DATE: 2013/06/21	TITLE: MIC EXT CORD, M/F 4 POLE , 22/4 PLTC	
	mm	INCH																				
4 PLACES	± .10	± .004																				
3 PLACES	± .15	± .006																				
2 PLACES	± .20	± .008																				
1 PLACE	± .30	± .012																				
0 PLACE	± .50	± .020																				
DRAFT WHERE APPLICABLE MUST REMAIN WITHIN DIMENSIONS		MATERIAL NO.	DOCUMENT NO.	SHEET NO.																		
SIZE B		SEE CHART	SD-120066-051	1 OF 1																		
THIS DRAWING CONTAINS INFORMATION THAT IS PROPRIETARY TO MOLEX INCORPORATED AND SHOULD NOT BE USED WITHOUT WRITTEN PERMISSION																						