

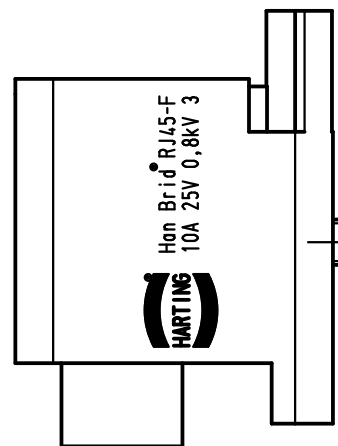
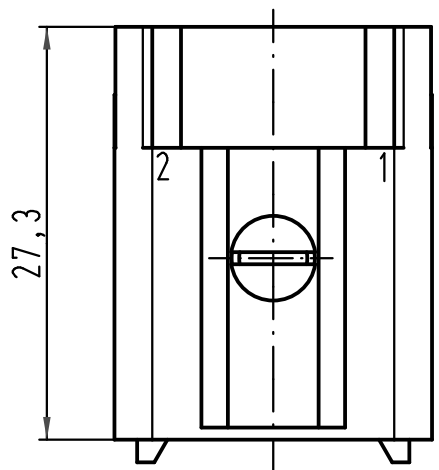
1 2 3 4 5 6

A

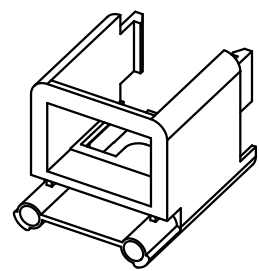
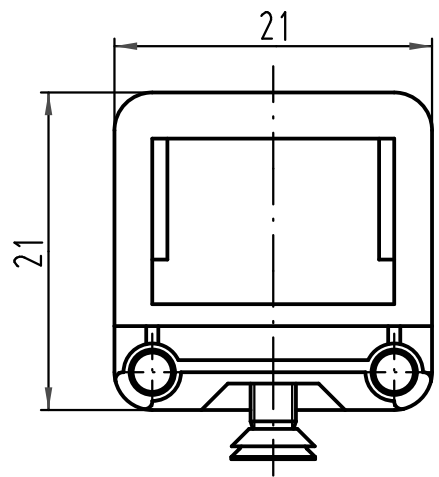
B

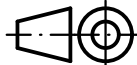

C

D



Senkschraube M3x6
lose beigelegt/
counter sunk screw M3x6
enclosed separately



| | | | | | | | | |
|---|----------|------|--------------------------------|----------|------|---|-------------------|--|
|  All Dimensions in mm Original Size DIN A 4 | | | Techn. Character. | | | Nicht tolerierte Masse/ Free size tolerances | | |
| | | | | Dat. | Name | Massstab/ Scale 2:1 | Han Brid RJ45-F | |
| | | | Detail. | 06.06.03 | DY | | | |
| | | | Insp. | | KR | | | |
| | | | Stand. | | | | | |
| 413016 | 26.06.07 | Ho | HARTING Electric GmbH & Co. KG | | |  | TB 09 12 003 2701 | |
| 410549 | | | D-32339 Espelkamp | | | | | |
| Mod. | Dat. | Name | | | | | Blatt/ page | |
| | | | | | | Sub. | | |