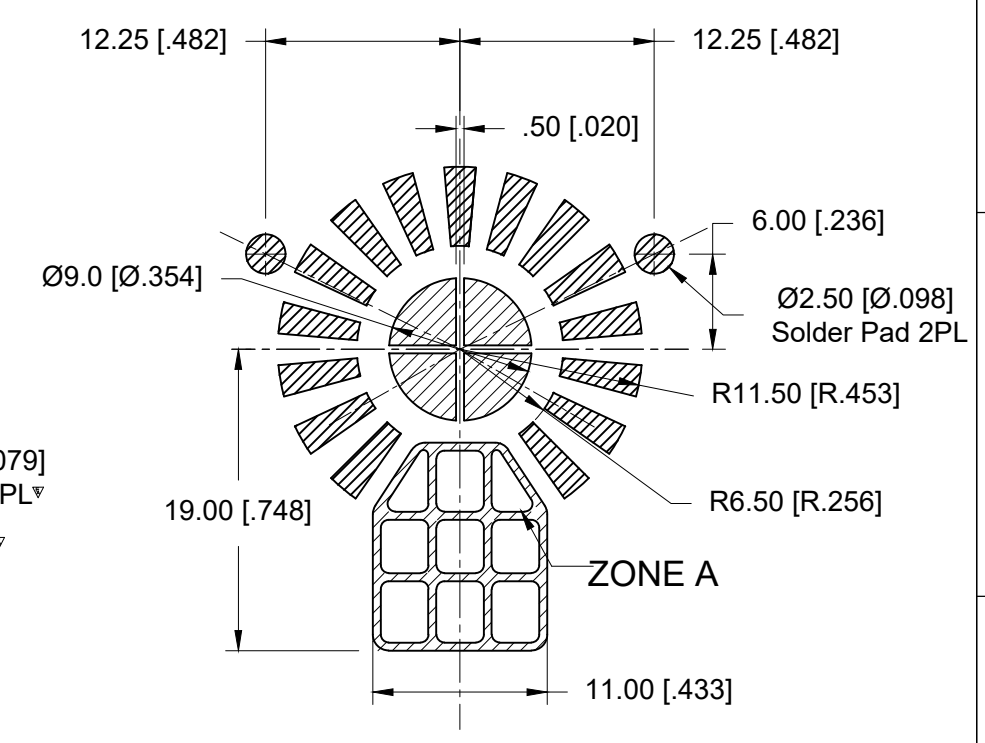
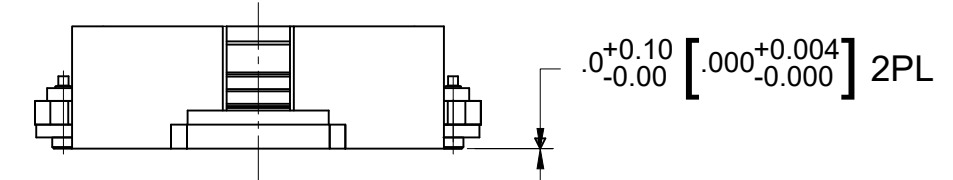


RECOMMENDED LAND PATTERN :
 Zone A must be attached to heat sink. Thermal conductivity of intermediate layers between Zone A and heat sink must be better than 0.1 W / [°C x mm].



PCB Material : RO 4350B , 20 mil THK



ELECTRICAL SPECIFICATION :
 Frequency range : 925 to 960 MHz
 Input power : 130 W
 Input power , peak: 2250 W
 Reflected power : 80 W
 Isolation (within frequency range, port 2 to 1) : 23 dB Min
 Return loss (Measured at port 1 and port 2) : 23 dB Min (0°C-115°C)
 (Measured at port 1 and port 2) : 20 dB Min (-40°C-0°C)
 Insertion loss (within frequency range, port 1 to 2) : 0.20 dB Max
 Intermodulation distortion, IM3(2 x 50 W) : -69 dBc Max
 IM5(2 x 50 W) : -79 dBc Max
 Harmonics: 2 x f (100W CW) : 0 dBm Max
 3-4 x f (100W CW) : -10 dBm Max
 5 x f (100W CW) : -35 dBm Max
 6 x f (100W CW) : -25 dBm Max
 Operating temperature range: -40°C to +115°C
 Storage temperature range : -40°C to +115°C
 Direction: CCW

BODY: STEEL, SILVER PLATED
RIGID PINS: COPPER, SILVER PLATED
NOTES :
 1. LEAD FREE, NO ND MATERIAL, BEO FREE
 2. ALL PARAMETERS ARE SPECIFIED IN OPERATING TEMP. RANGE
 3. THE DIMENSION OF THE DATA MATRIX IS 7.6MM*7.6MM, INFORMATION INCLUDED WORK ORDER NUMBER-SERIAL NUMBER-MATERIAL NUMBER
 4. THIS PART COMPLIES WITH ALL ROHS REQUIREMENTS

ENG PART#: 811-092-096-WB040

FUNCTIONAL SYMBOLS	THIS DRAWING CONTAINS INFORMATION THAT IS PROPRIETARY TO MOLEX ELECTRONIC TECHNOLOGIES, LLC AND SHOULD NOT BE USED WITHOUT WRITTEN PERMISSION			CURRENT REV DESC: RELEASE TO PROD			molex		
	DIMENSION UNITS	SCALE							
$F_A=0$	MM	1:1		EC NO: 696580			DOCUMENT NUMBER		
$F_P=0$	GENERAL TOLERANCES (UNLESS SPECIFIED)			DRWN: SREN05 2022/02/21			735912102		
$F_P=0$	mm INCH			CHK'D: JLI252 2022/02/23			RESTRICTED PRODUCT CUSTOMER DRAWING		
DIVISIONAL SYMBOLS	4 PLACES	±0.005	±----	APPR: HWANG186 2022/03/01			DOC TYPE DOC PART REVISION		
	3 PLACES	±0.025	±----	INITIAL REVISION:			PSD 000 A		
	2 PLACES	±0.13	±----	DRWN: SREN05 2021/12/09			MATERIAL NUMBER		
	1 PLACE	±0.25	±----	APPR: HWANG186 2022/03/01			CUSTOMER		
	0 PLACES	±0.4	±----	DRAFT WHERE APPLICABLE MUST REMAIN WITHIN DIMENSIONS			SHEET NUMBER		
	ANGULAR TOL ± 1.5 °			THIRD ANGLE PROJECTION			A3-SIZE		
	DRAFT WHERE APPLICABLE MUST REMAIN WITHIN DIMENSIONS			DRAWING			SERIES		
				73591			0735912102		
				CUSTOMER			COSTOM PART		
							1 OF 1		