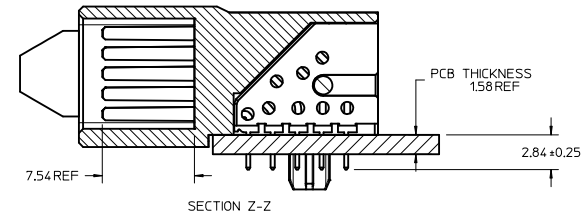
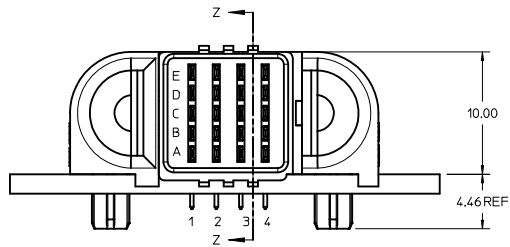


RECOMMENDED PCB LAYOUT AND KEEP-OUT ZONE



SECTION Z-Z

NOTES:

1. MATERIAL:

- HOUSINGS: LCP UL94 V-0, COLOR: BLACK
- TERMINALS: COPPER ALLOY
- PLATING: 0.000127 NICKEL OVERALL WITH 0.00254 SELECTIVE MATTE TIN ON TAILS AND 0.000762 SELECTIVE GOLD ON CONTACT AREA

2. PACKAGING ASSEMBLIES TO BE TRAY PACKED, STD QUANTITY: TBD

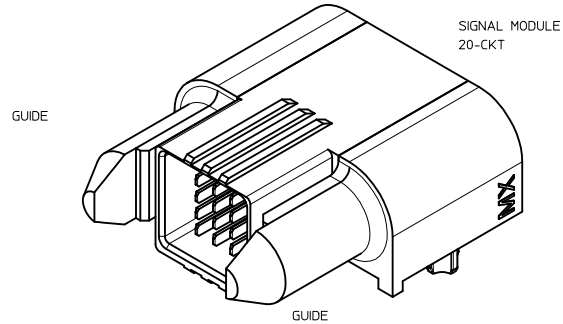
3. PCB BOARD REQUIRES SOLDER THRU HOLES. REFER TO PS-46436-100 FOR DETAILS

4. PRODUCT SPEC: PS-46436-100

5. APPLICATION SPEC: AS-46436-100

6. SEE PRODUCT SPEC FOR ROHS REQUIREMENTS

7. ASSEMBLY MATES WITH MOLEX R/A RECEPTACLE ASSEMBLY, P/N 46436-1230

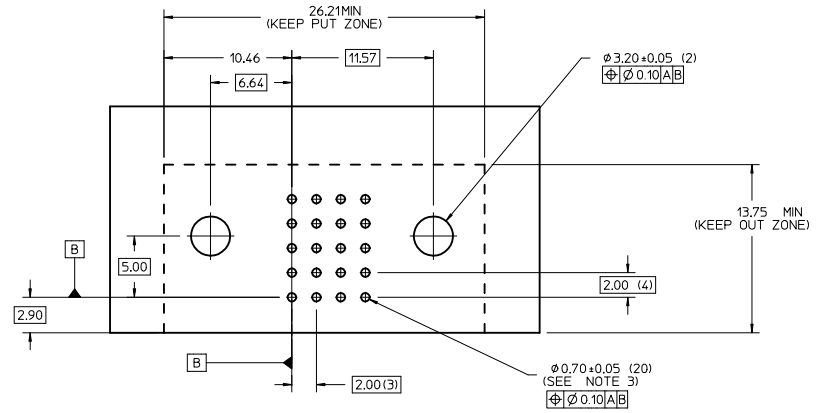
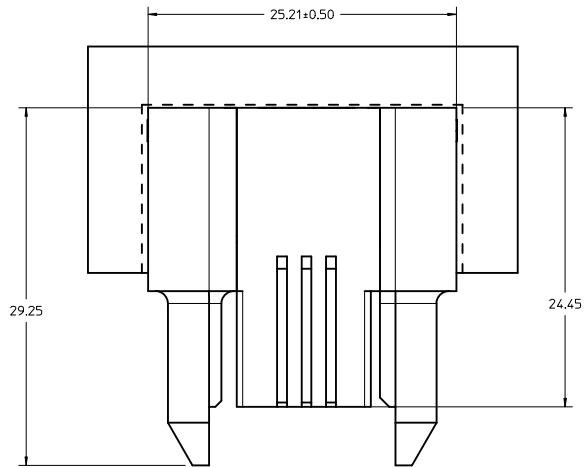


RELEASED IEC NO: UCP2011-3136 DRAWN BY: CHYDOR CHECKED BY: BKOSTIC APPR: RNELSON DATE: 2011/05/18	QUALITY SYMBOLS	GENERAL TOLERANCES (UNLESS SPECIFIED)	DIMENSION STYLE	SCALE	DESIGN UNITS	THIRD ANGLE PROJECTION	
	▽=0	mm INCH	MM ONLY	5:1	METRIC	☉	
	▽=0	4 PLACES ±--- ±---	BKOSTIC 2011/03/28				
	▽=0	3 PLACES ±--- ±---	BKOSTIC 2011/03/28				
	1 PLACE ±0.25 ±---	RNELSON 2011/05/18					
	ANGULAR ±1/2°						
	DRAFT WHERE APPLICABLE MUST REMAIN WITHIN DIMENSIONS		MATERIAL NO.	DOCUMENT NO.			
			46437-1230	SD-46437-1230			
			SIZE D				
			THIS DRAWING CONTAINS INFORMATION THAT IS PROPRIETARY TO MOLEX INCORPORATED AND SHOULD NOT BE USED WITHOUT WRITTEN PERMISSION				

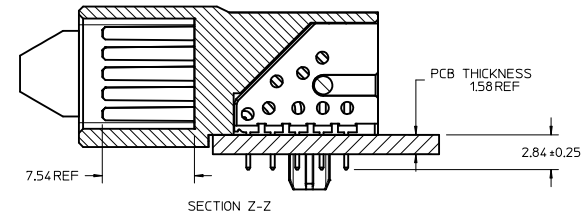
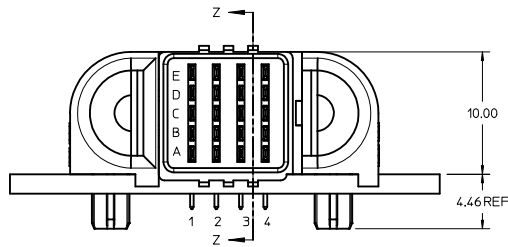
TITLE: R/A PLUG ASSY 20-CKT SIGNAL TEN60 POWER FAMILY

MOLEX INCORPORATED

SHEET NO. 1 OF 1

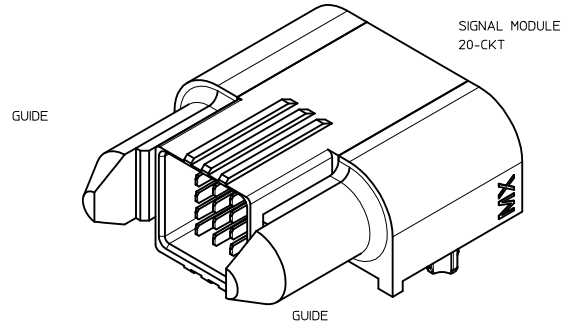


RECOMMENDED PCB LAYOUT AND KEEP-OUT ZONE



SECTION Z-Z

- NOTES:
- MATERIAL:
 - HOUSINGS: LCP UL94 V-0, COLOR: BLACK
 - TERMINALS: COPPER ALLOY
 - PLATING: 0.000127 NICKEL OVERALL WITH 0.00254 SELECTIVE MATTE TIN ON TAILS AND 0.000762 SELECTIVE GOLD ON CONTACT AREA
 - PACKAGING ASSEMBLIES TO BE TRAY PACKED, STD QUANTITY: TBD
 - PC BOARD REQUIRES SOLDER THRU HOLES. REFER TO PS-46436-100 FOR DETAILS
 - PRODUCT SPEC: PS-46436-100
 - APPLICATION SPEC: AS-46436-100
 - SEE PRODUCT SPEC FOR ROHS REQUIREMENTS
 - ASSEMBLY MATES WITH MOLEX R/A RECEPTACLE ASSEMBLY, P/N 46436-1230



RELEASED IEC NO: UCP2011-3136 DRAWN BY: DRWNRTHN 2011/04/12 CHECKED BY: CHYKBKOSTIC 2011/03/28 APPR:RNELSON 2011/05/18 REV DESCRIPTION	QUALITY SYMBOLS ∇=0 ∇=0 ∇=0		GENERAL TOLERANCES (UNLESS SPECIFIED) <table border="1"> <tr> <th></th> <th>mm</th> <th>INCH</th> </tr> <tr> <td>4 PLACES</td> <td>±.05</td> <td>±.002</td> </tr> <tr> <td>3 PLACES</td> <td>±.05</td> <td>±.002</td> </tr> <tr> <td>2 PLACES</td> <td>±0.25</td> <td>±.010</td> </tr> <tr> <td>1 PLACE</td> <td>±0.25</td> <td>±.010</td> </tr> <tr> <td colspan="3">ANGULAR ±1/2°</td> </tr> </table>			mm	INCH	4 PLACES	±.05	±.002	3 PLACES	±.05	±.002	2 PLACES	±0.25	±.010	1 PLACE	±0.25	±.010	ANGULAR ±1/2°			DIMENSION STYLE MM ONLY	SCALE 5:1	DESIGN UNITS METRIC	THIRD ANGLE PROJECTION
		mm	INCH																							
	4 PLACES	±.05	±.002																							
	3 PLACES	±.05	±.002																							
2 PLACES	±0.25	±.010																								
1 PLACE	±0.25	±.010																								
ANGULAR ±1/2°																										
DRAFT WHERE APPLICABLE MUST REMAIN WITHIN DIMENSIONS			MATERIAL NO: 46437-1230	DATE 2011/03/28	DATE 2011/03/28	MOLEX INCORPORATED																				
			DOCUMENT NO: SD-46437-1230			SHEET NO. 1 OF 1																				
THIS DRAWING CONTAINS INFORMATION THAT IS PROPRIETARY TO MOLEX INCORPORATED AND SHOULD NOT BE USED WITHOUT WRITTEN PERMISSION																										