



Wire-to-Wire Connectors



IMPORTANT INFORMATION/DISCLAIMER

All product specifications, statements, information and data (collectively, the “Information”) in this datasheet or made available on the website are subject to change. The customer is responsible for checking and verifying the extent to which the Information contained in this publication is applicable to an order at the time the order is placed. All Information given herein is believed to be accurate and reliable, but it is presented without guarantee, warranty, or responsibility of any kind, expressed or implied.

Statements of suitability for certain applications are based on KYOCERA AVX knowledge of typical operating conditions for such applications, but are not intended to constitute and KYOCERA AVX specifically disclaims any warranty concerning suitability for a specific customer application or use.

ANY USE OF PRODUCT OUTSIDE OF SPECIFICATIONS OR ANY STORAGE OR INSTALLATION INCONSISTENT WITH PRODUCT GUIDANCE VOIDS ANY WARRANTY.

The Information is intended for use only by customers who have the requisite experience and capability to determine the correct products for their application. Any technical advice inferred from this Information or otherwise provided by KYOCERA AVX with reference to the use of KYOCERA AVX products is given without regard, and KYOCERA AVX assumes no obligation or liability for the advice given or results obtained.

Although KYOCERA AVX designs and manufactures its products to the most stringent quality and safety standards, given the current state of the art, isolated component failures may still occur. Accordingly, customer applications which require a high degree of reliability or safety should employ suitable designs or other safeguards (such as installation of protective circuitry or redundancies) in order to ensure that the failure of an electrical component does not result in a risk of personal injury or property damage.

Unless specifically agreed to in writing, KYOCERA AVX has not tested or certified its products, services or deliverables for use in high risk applications including medical life support, medical device, direct physical patient contact, water treatment, nuclear facilities, weapon systems, mass and air transportation control, flammable environments, or any other potentially life critical uses. Customer understands and agrees that KYOCERA AVX makes no assurances that the products, services or deliverables are suitable for any high-risk uses. Under no circumstances does KYOCERA AVX warrant or guarantee suitability for any customer design or manufacturing process.

Although all product-related warnings, cautions and notes must be observed, the customer should not assume that all safety measures are indicated or that other measures may not be required.

Wire-to-Wire Connectors

Table of Contents

THRU-WIRE CONNECTORS 18-26 AWG: 00-9286

General Information	1
1 Position	2
2 Position	3
3 Position	4
4 Position	5
6 Position	6
8 Position	7

POKE-HOME – JUNCTION BOX 18-26 AWG: 00-9286

General Information	8
4 Position	9
6 Position	10
8 Position	11
Wire Insertion/Removal Process	12
Adhesive Mounting Tape.....	13

REDUCED THRU WIRE CONNECTOR 18-24 AWG: 9286-200

General Information	14
Wire Trim	16

REDUCED JUNCTION BOX CONNECTORS 18-24 AWG: 9286-250

General Information	17
---------------------------	----

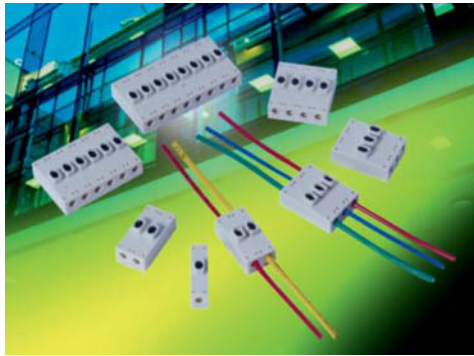
THRU WIRE CONNECTOR 12-18 AWG: WTW - 9286-300

General Information	20
---------------------------	----

Poke-Home Thru-Wire Connectors 18-26 AWG: 00-9286



General Information



Wire-to-Wire connectors have been used in the industrial market for years with traditional 2-Piece (plug and socket) connector systems which require crimp and poke wire terminations to connect electrical or electronic components. In the general wiring market (2-3 wires) there are a number of connector styles available, however, they are limited in sizes, expanded wire gauges and the ability to reuse them when repair or replacement is needed. Based on the existing success of "Poke-Home" wire-to-board connectors, KYOCERA AVX has developed a new family of wire-to-wire connectors to meet the cost, flexibility and ease-of-use targets in industrial wiring applications.

The 9286 series of Thru-Wire connectors provides a high spring force Beryllium Copper contact system that uses simple push button activation to insert and remove individual stripped wires in the connection process. There is a forward and aft shrouded (to prevent accidental activation) push button for each wire connection that can be operated individually or simultaneously with a simple plastic tool or ball point pen tip. Up to eight wires can be electrically connected in a single connector body which will support any combination of wire gauges from 18AWG up to 26 AWG. Wires can be removed or replaced up to 5 times so there is no need to replace the connector in a new installation.

APPLICATIONS

- Industrial/Machine Control; motors, solenoids, PLC's, pumps, valves, sensors, fans...
- Commercial/Building; fixtures, fire, security, surveillance, blinds, sensors, controls...
- Commercial/Industrial LED; retail, office, manufacturing, signage, displays...
- Application notes; refer to 201-01-135

FEATURES AND BENEFITS

- High spring force top contact provides a lance type retention to capture and retain the wire
- Shrouded dual push button activation for easy wire insertion/removal
- Accepts 18-26AWG Solid and Stranded wires; any combination
- Expanded size offering to maximize application potential; 1, 2, 3, 4, 6 & 8 positions
- Optional mounting tape to secure in panel mounting applications
- Molded in position numbers and schematic for easy identification

ELECTRICAL

- Current Rating: 8 Amps / Contact
- Voltage Rating: 300 VAC

ENVIRONMENTAL

- Operating Temperature: -40°C to +125°C

MECHANICAL

- Insulator Material: Glass-Filled Nylon 46; UL94V0
- Contact Material: Beryllium Copper / Phosphor Bronze
- Plating: Tin over Nickel
- Replacibility: 5 Cycles

HOW TO ORDER

00
Prefix

9286
Series

00X
Number of Ways

Code	No of Ways	Details
001	1	Page 3
002	2	Page 4
003	3	Page 5
004	4	Page 6
006	6	Page 7
008	8	Page 8

021
Wire Size

Code	Wire Gauge	Max Conductor	Max Insulation
021	18 to 26 AWG	1.05mm Diameter	2.10mm Diameter

9
Color Options
9 = UL White

06
Plating Option
06 = Pure Tin all over

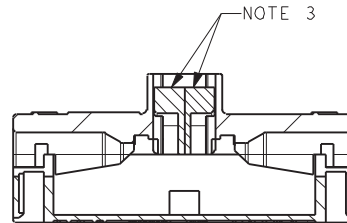
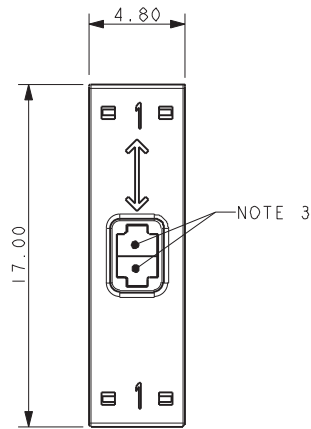


Certification: UL File #E90723

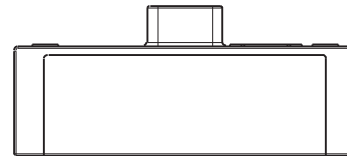
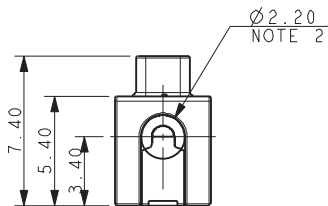


The Important Information/Disclaimer is incorporated in the catalog where these specifications came from or available online at www.avx.com/disclaimer/ by reference and should be reviewed in full before placing any order.

18-26 AWG 1 WAY POKE-HOME – THRU WIRE



SECTION ON A-A



NOTE 8

PACKING DETAILS

Pack 400 pieces in a clear plastic bag.

NOTES:

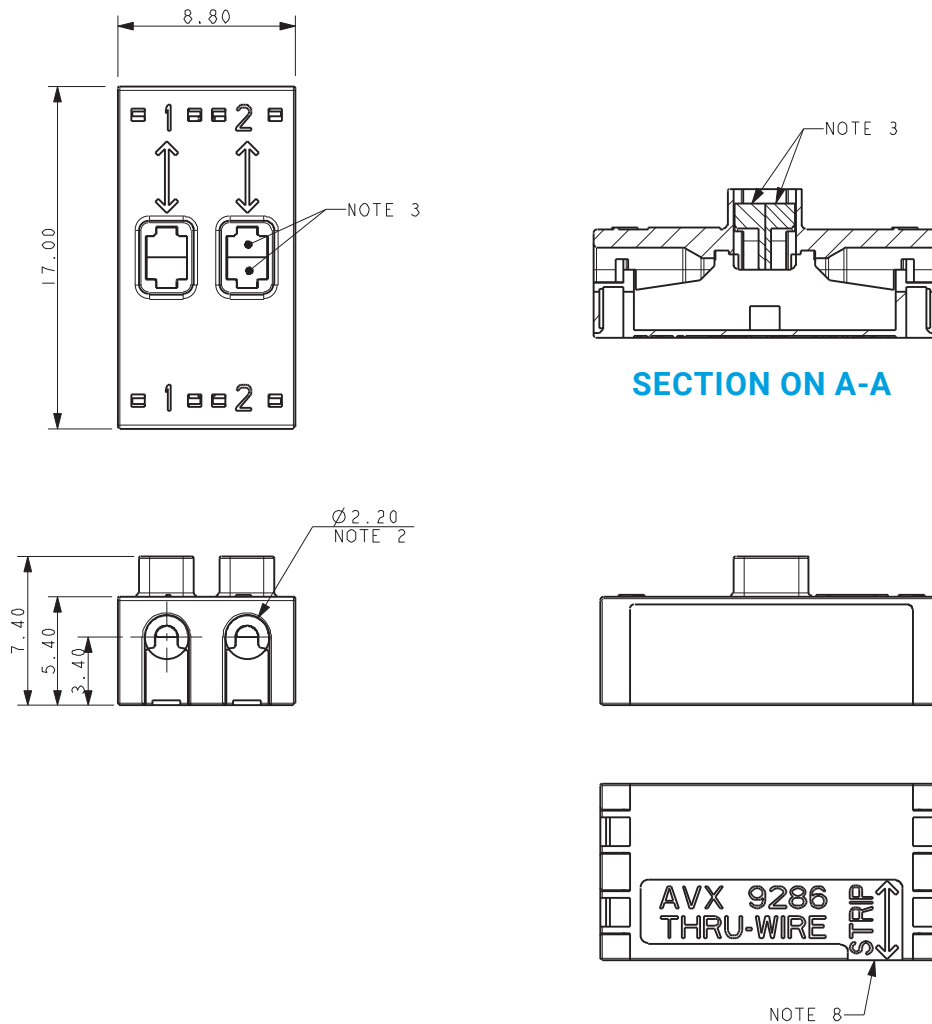
1. 1 WAY WIRE TO WIRE "POKE-HOME" CONNECTOR, BUTTON OPERATED.
2. WIRE SIZES 18-26 AWG, MAXIMUM INSULATION DIAMETER 2.10MM.
3. SPLIT BUTTON ALLOWS THE WIRES TO BE INSERTED/WITHDRAWN INDEPENDENTLY.
4. INSULATION MATERIAL: NYLON 46, GLASS FILLED, UL94 V-0. COLOR SEE PAGE 2.
5. CONTACT MATERIAL: TIN PLATED COPPER ALLOY.
6. FOR FULL SPECIFICATION REFER TO ELCO SPECIFICATION 201-01-132.
FOR APPLICATION NOTES REFER TO ELCO SPECIFICATION 201-01-135.
7. GENERAL TOLERANCE ± 0.20 MM.
8. WIRE LENGTH GUIDE, SEE PAGE 13.
9. ADHESIVE STRIP FOR PANEL MOUNTING REFER TO PAGE 14.
10. FOR UL PRODUCT CODES UL REFERENCE E90723 (US AND CANADA).

Poke-Home Thru-Wire Connectors 18-26 AWG: 00-9286



2 Position

18-26 AWG 2 WAY POKE-HOME – THRU WIRE



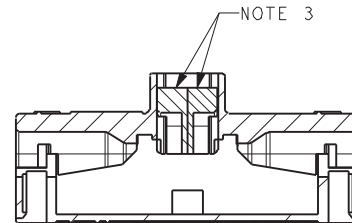
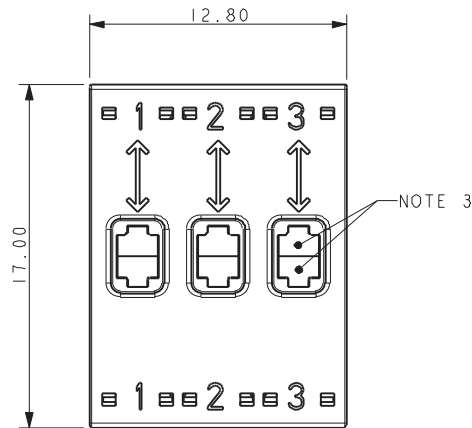
PACKING DETAILS

Pack 400 pieces in a clear plastic bag.

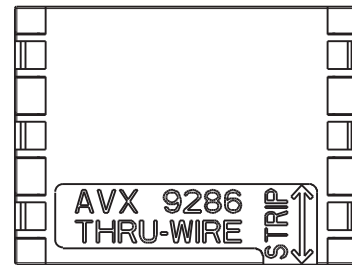
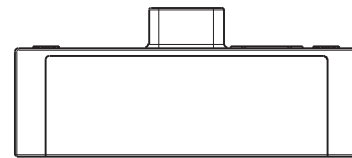
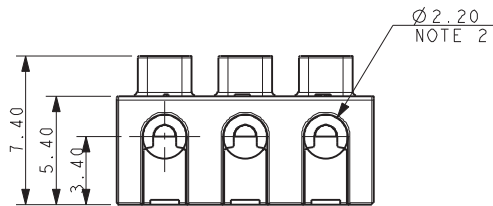
NOTES:

1. 2 WAY WIRE TO WIRE "POKE-HOME" CONNECTOR, BUTTON OPERATED.
2. WIRE SIZES 18-26 AWG, MAXIMUM INSULATION DIAMETER 2.10MM.
3. SPLIT BUTTON ALLOWS THE WIRES TO BE INSERTED/WITHDRAWN INDEPENDENTLY.
4. INSULATION MATERIAL: NYLON 46, GLASS FILLED, UL94 V-0. COLOR SEE PAGE 2.
5. CONTACT MATERIAL: TIN PLATED COPPER ALLOY.
6. FOR FULL SPECIFICATION REFER TO ELCO SPECIFICATION 201-01-132.
FOR APPLICATION NOTES REFER TO ELCO SPECIFICATION 201-01-135.
7. GENERAL TOLERANCE ± 0.20 MM.
8. WIRE STRIP LENGTH GUIDE, SEE PAGE 13.
9. ADHESIVE STRIP FOR PANEL MOUNTING REFER TO PAGE 14.
10. FOR UL PRODUCT CODES UL REFERENCE E90723 (US AND CANADA).

18-26 AWG 3 WAY POKE-HOME – THRU WIRE



SECTION ON A-A



NOTE 8

PACKING DETAILS

Pack 400 pieces in a clear plastic bag.

NOTES:

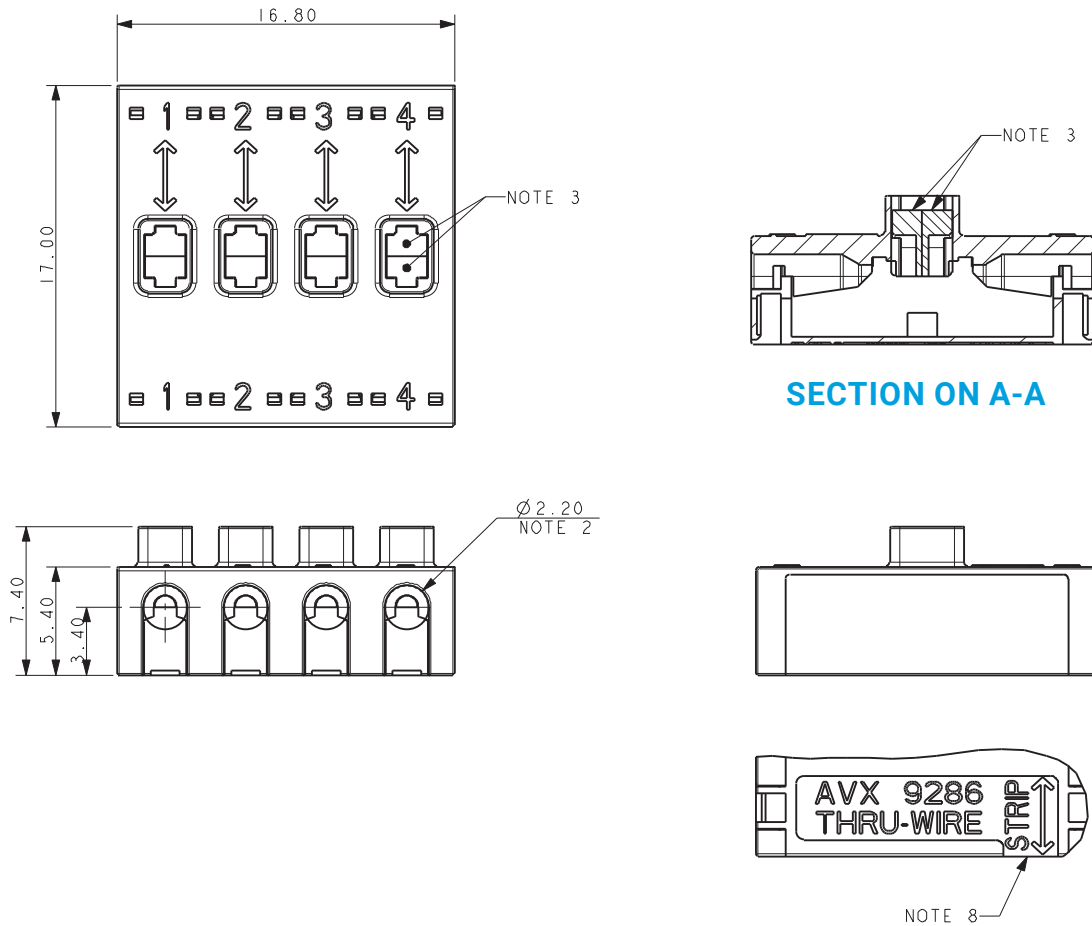
1. 3 WAY WIRE TO WIRE "POKE-HOME" CONNECTOR, BUTTON OPERATED.
2. WIRE SIZES 18-26 AWG, MAXIMUM INSULATION DIAMETER 2.10MM.
3. SPLIT BUTTON ALLOWS THE WIRES TO BE INSERTED/WITHDRAWN INDEPENDENTLY.
4. INSULATION MATERIAL: NYLON 46, GLASS FILLED, UL94 V-0. COLOR SEE PAGE 2.
5. CONTACT MATERIAL: TIN PLATED COPPER ALLOY.
6. FOR FULL SPECIFICATION REFER TO ELCO SPECIFICATION 201-01-132.
FOR APPLICATION NOTES REFER TO ELCO SPECIFICATION 201-01-135.
7. GENERAL TOLERANCE ± 0.20 MM.
8. WIRE STRIP LENGTH GUIDE, SEE PAGE 13.
9. ADHESIVE STRIP FOR PANEL MOUNTING REFER TO PAGE 14.
10. FOR UL PRODUCT CODES UL REFERENCE E90723 (US AND CANADA).

Poke-Home Thru-Wire Connectors 18-26 AWG: 00-9286



4 Position

18-26 AWG 4 WAY POKE-HOME – THRU WIRE



PACKING DETAILS

Pack 400 pieces in a clear plastic bag.

NOTES:

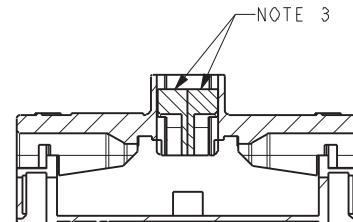
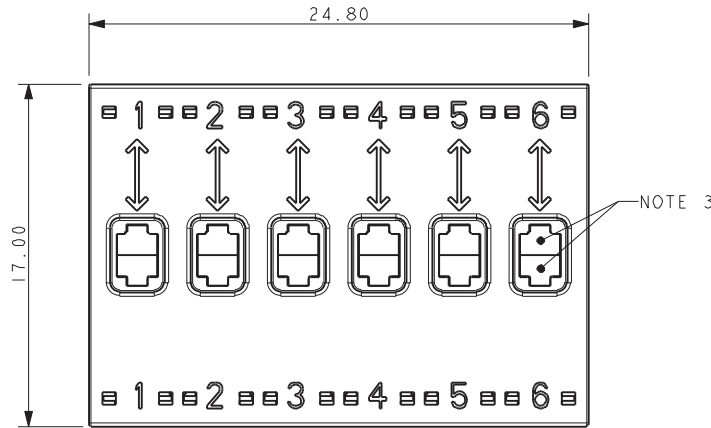
1. 4 WAY WIRE TO WIRE "POKE-HOME" CONNECTOR, BUTTON OPERATED.
2. WIRE SIZES 18-26 AWG, MAXIMUM INSULATION DIAMETER 2.10MM.
3. SPLIT BUTTON ALLOWS THE WIRES TO BE INSERTED/WITHDRAWN INDEPENDENTLY.
4. INSULATION MATERIAL: NYLON 46, GLASS FILLED, UL94 V-0. COLOR SEE PAGE 2.
5. CONTACT MATERIAL: TIN PLATED COPPER ALLOY.
6. FOR FULL SPECIFICATION REFER TO ELCO SPECIFICATION 201-01-132.
FOR APPLICATION NOTES REFER TO ELCO SPECIFICATION 201-01-135.
7. GENERAL TOLERANCE ± 0.20 MM.
8. WIRE STRIP LENGTH GUIDE, SEE PAGE 13.
9. ADHESIVE STRIP FOR PANEL MOUNTING REFER TO PAGE 14.
10. FOR UL PRODUCT CODES UL REFERENCE E90723 (US AND CANADA).

Poke-Home Thru-Wire Connectors 18-26 AWG: 00-9286

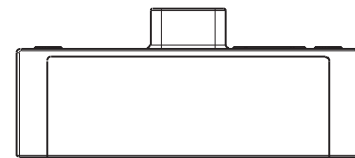
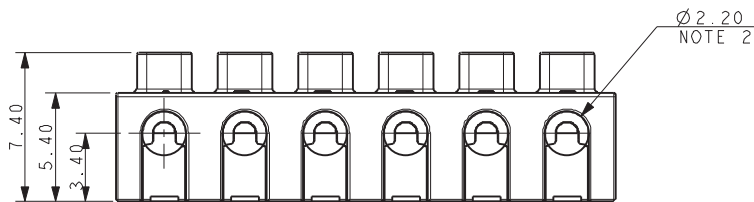


6 Position

18-26 AWG 6 WAY POKE-HOME – THRU WIRE



SECTION ON A-A



NOTE 8

PACKING DETAILS

Pack 400 pieces in a clear plastic bag.

NOTES:

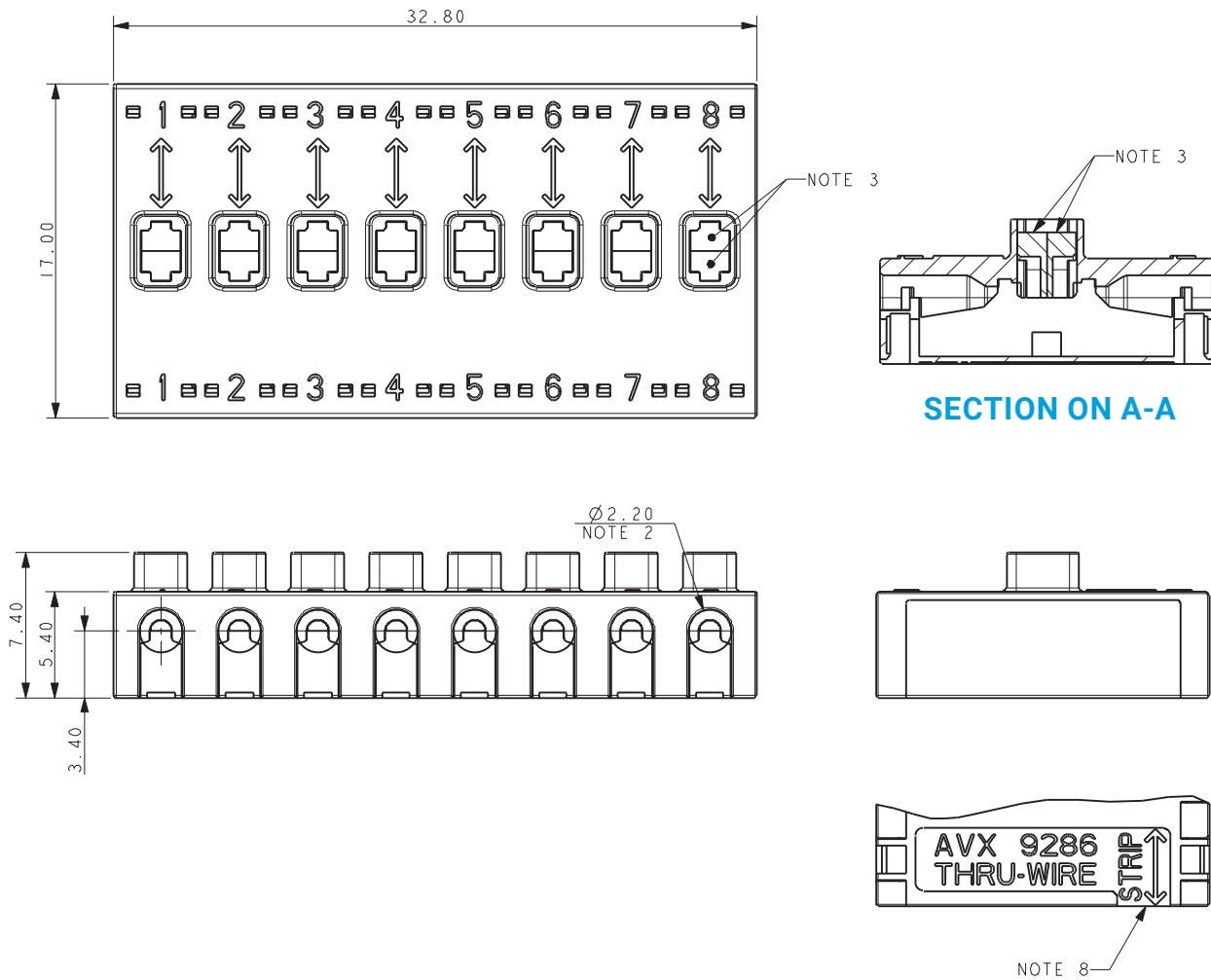
1. 6 WAY WIRE TO WIRE "POKE-HOME" CONNECTOR, BUTTON OPERATED.
2. WIRE SIZES 18-26 AWG, MAXIMUM INSULATION DIAMETER 2.10MM.
3. SPLIT BUTTON ALLOWS THE WIRES TO BE INSERTED/WITHDRAWN INDEPENDENTLY.
4. INSULATION MATERIAL: NYLON 46, GLASS FILLED, UL94 V-0. COLOR SEE PAGE 2.
5. CONTACT MATERIAL: TIN PLATED COPPER ALLOY.
6. FOR FULL SPECIFICATION REFER TO ELCO SPECIFICATION 201-01-132.
FOR APPLICATION NOTES REFER TO ELCO SPECIFICATION 201-01-135.
7. GENERAL TOLERANCE ± 0.20 MM.
8. WIRE STRIP LENGTH GUIDE, SEE PAGE 13.
9. ADHESIVE STRIP FOR PANEL MOUNTING REFER TO PAGE 14.
10. FOR UL PRODUCT CODES UL REFERENCE E90723 (US AND CANADA).

Poke-Home Thru-Wire Connectors 18-26 AWG: 00-9286

8 Position



18-26 AWG 8 WAY POKE-HOME – THRU WIRE



PACKING DETAILS

Pack 400 pieces in a clear plastic bag.

NOTES:

1. 8 WAY WIRE TO WIRE "POKE-HOME" CONNECTOR, BUTTON OPERATED.
2. WIRE SIZES 18-26 AWG, MAXIMUM INSULATION DIAMETER 2.10MM.
3. SPLIT BUTTON ALLOWS THE WIRES TO BE INSERTED/WITHDRAWN INDEPENDENTLY.
4. INSULATION MATERIAL: NYLON 46, GLASS FILLED, UL94 V-0. COLOR SEE PAGE 2.
5. CONTACT MATERIAL: TIN PLATED COPPER ALLOY.
6. FOR FULL SPECIFICATION REFER TO ELCO SPECIFICATION 201-01-132.
FOR APPLICATION NOTES REFER TO ELCO SPECIFICATION 201-01-135.
7. GENERAL TOLERANCE ± 0.20 MM.
8. WIRE STRIP LENGTH GUIDE, SEE PAGE 13.
9. ADHESIVE STRIP FOR PANEL MOUNTING REFER TO PAGE 14.
10. FOR UL PRODUCT CODES UL REFERENCE E90723 (US AND CANADA).

Poke-Home – Junction Box 18-26 AWG: 00-9286

General Information



Wire-to-Wire connectors have been used in the industrial market for years with traditional 2-Piece (plug and socket) connector systems which require crimp and poke wire terminations to connect electrical or electronic components. In the general wiring market (2-3 wires) there are a number of connector styles available, however, they are limited in sizes, expanded wire gauges and the ability to reuse them when repair or replacement is needed. Based on the existing success of “Poke-Home” wire-to-board connectors, KYOCERA AVX has developed a new family of wire-to-wire connectors to meet the cost, flexibility and ease-of-use targets in industrial wiring applications.

The 9286 series of Junction Box connectors provide a high spring force Beryllium Copper contact system that uses simple push button activation to insert and remove individual stripped wires in the connection process. There is a forward and aft shrouded (to prevent accidental activation) push button for each wire connection that can be operated individually or simultaneously with a simple plastic tool or ball point pen tip. This connector family has been designed to bring a single wire in and then have multiple output (bus structure) wires of the same power or signal. Four, Six or Eight wires can be electrically connected together in a single connector body which will support any combination of wire gauges from 18AWG up to 26 AWG. Wires can be removed or replaced up to 5 times so there is no need to replace the connector in a new installation.

APPLICATIONS

- Industrial/Machine Control; motors, solenoids, PLC's, pumps, valves, sensors, fans...
- Commercial/Building; fixtures, fire, security, surveillance, blinds, sensors, controls...
- Commercial/Industrial LED; retail, office, manufacturing, signage, displays...
- Application notes; refer to 201-01-135

FEATURES AND BENEFITS

- High spring force top contact provides a lance type retention to capture and retain the wire
- Shrouded dual push button activation for easy wire insertion/removal
- Accepts 18-26AWG Solid and Stranded wires; any combination
- Expanded size offering to maximize application potential; 4, 6 or 8 positions
- Optional mounting tape to secure in panel mounting applications
- Molded in position numbers and schematic for easy identification

ELECTRICAL

- Current Rating: 10 Amps total
- Voltage Rating: 300v AC

ENVIRONMENTAL

- Operating Temperature: -40°C to +125°C

MECHANICAL

- Insulator Material: Glass-Filled Nylon 46; UL94V0
- Contact Material: Beryllium Copper / Phosphor Bronze
- Plating: Tin over Nickel
- Replacibility: 5 Cycles

HOW TO ORDER

00
Prefix

9286
Series

00X
Number of Ways

Code	No of Ways	Details
004	4	Page 18
006	6	Page 19
008	8	Page 20

121
Wire Size

Code	Wire Gauge	Max Conductor	Max Insulation
121	18 to 26 AWG	1.05mm Diameter	2.10mm Diameter

9
Color Options
9 = UL Red

06
Plating Option
06 = Tin all over

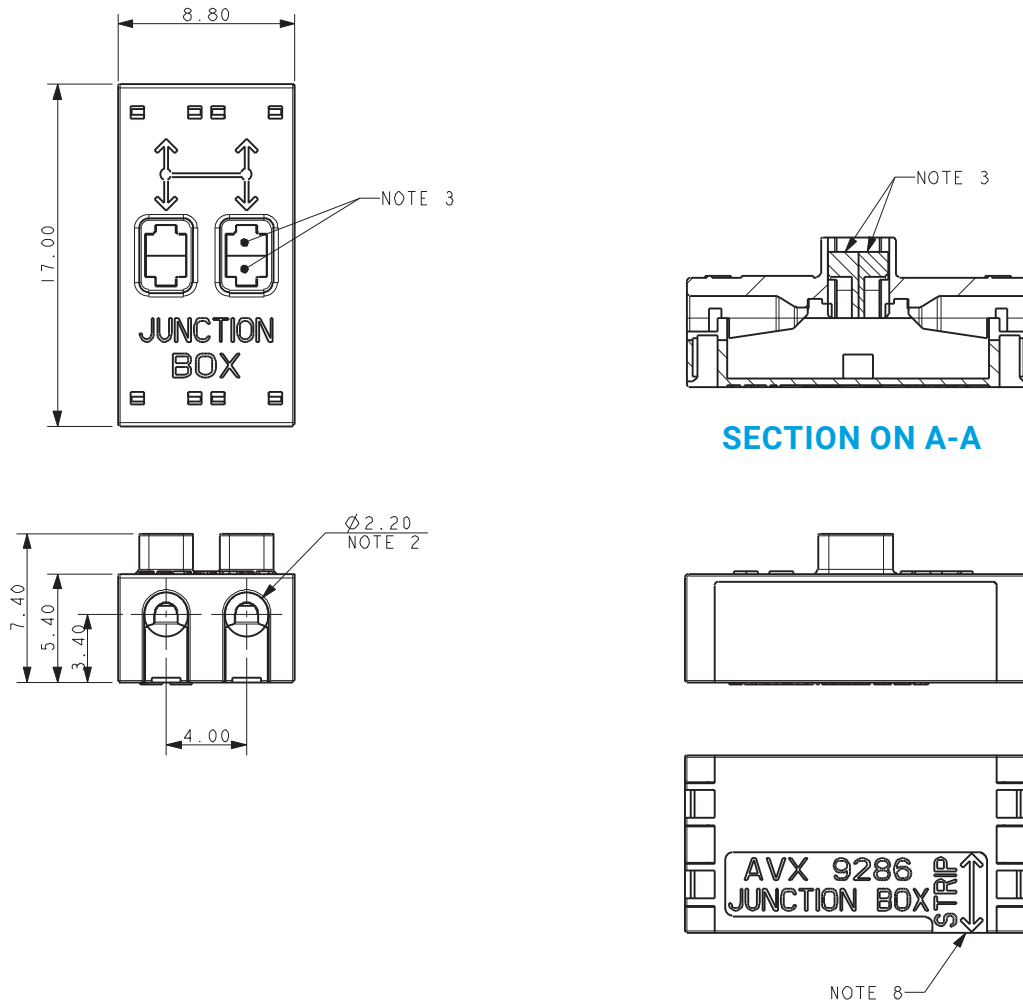


Certification: UL File #E90723

Poke-Home – Junction Box 18-26 AWG: 00-9286

4 Position

18-26 AWG 4 WAY POKE-HOME – JUNCTION BOX



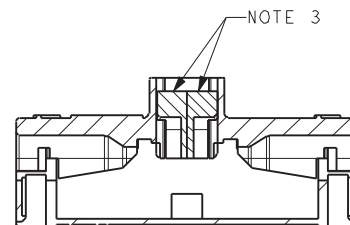
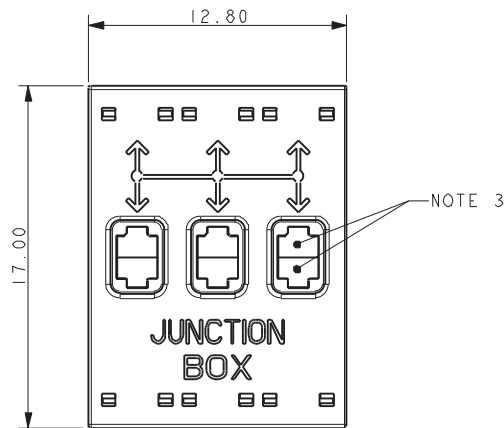
PACKING DETAILS

Pack 400 pieces in a clear plastic bag.

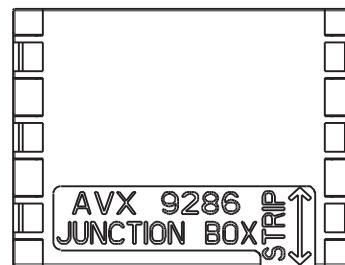
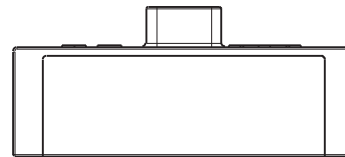
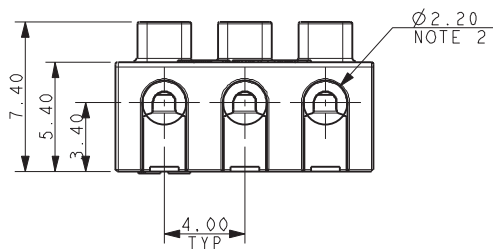
NOTES:

1. 4 WAY WIRE TO WIRE "POKE-HOME" CONNECTOR, BUTTON OPERATED. ALL TERMINALS INTERCONNECTED.
2. WIRE SIZES 18-26 AWG, MAXIMUM INSULATION DIAMETER 2.10MM.
3. SPLIT BUTTON ALLOWS THE WIRES TO BE INSERTED/WITHDRAWN INDEPENDENTLY.
4. INSULATION MATERIAL: NYLON 46, GLASS FILLED, UL94 V-0. COLOR SEE PAGE 17.
5. CONTACT MATERIAL: TIN PLATED COPPER ALLOY.
6. FOR FULL SPECIFICATION REFER TO ELCO SPECIFICATION 201-01-132. FOR APPLICATION NOTES REFER TO ELCO SPECIFICATION 201-01-135.
7. GENERAL TOLERANCE ± 0.20 MM.
8. WIRE STRIP LENGTH GUIDE, SEE PAGE 21.
9. ADHESIVE STRIP FOR PANEL MOUNTING REFER TO PAGE 22.
10. FOR UL PRODUCT CODES UL REFERENCE E90723 (US AND CANADA).

18-26 AWG 6 WAY POKE-HOME – JUNCTION BOX



SECTION ON A-A



NOTE 8

PACKING DETAILS

Pack 400 pieces in a clear plastic bag.

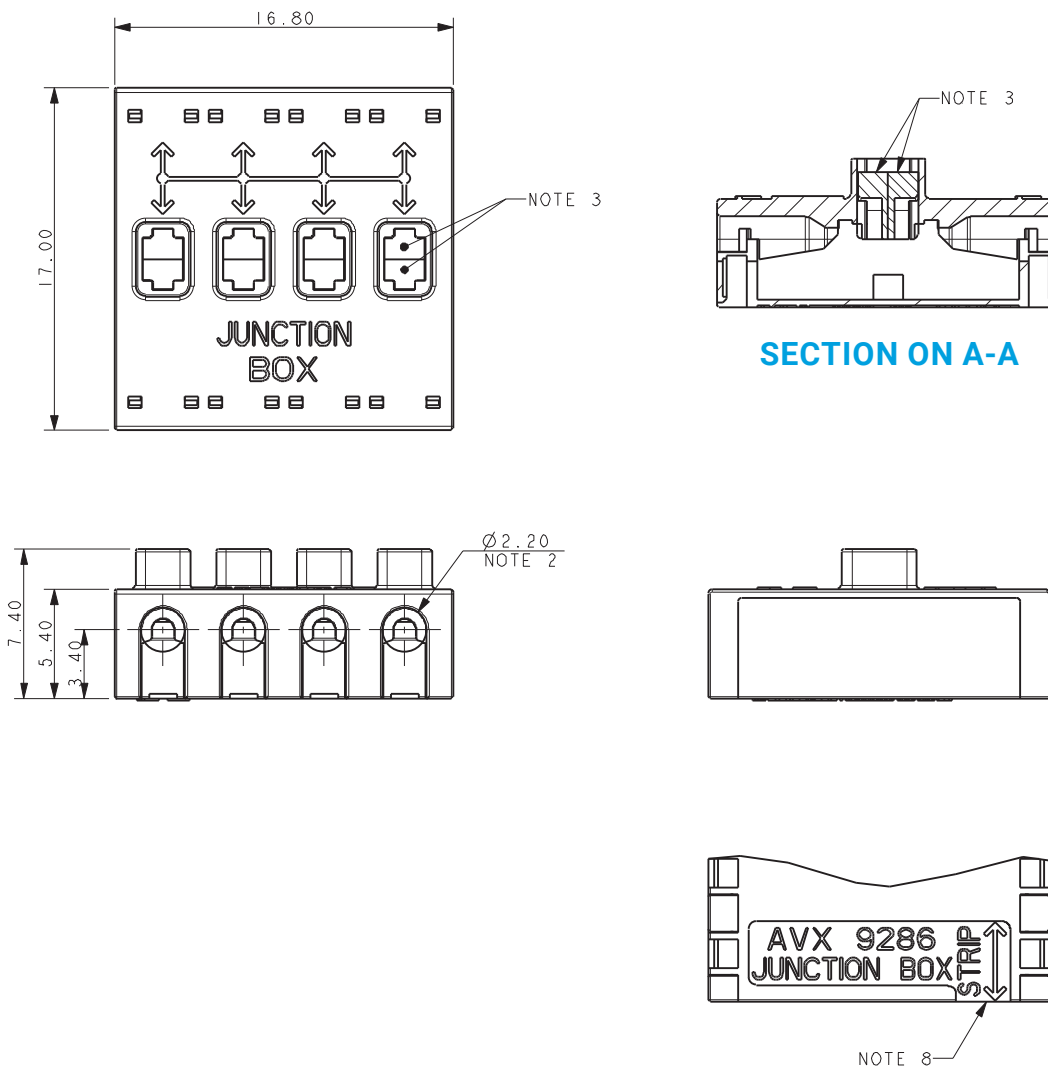
NOTES:

1. 6 WAY WIRE TO WIRE "POKE-HOME" CONNECTOR, BUTTON OPERATED. ALL TERMINALS INTERCONNECTED.
2. WIRE SIZES 18-26 AWG, MAXIMUM INSULATION DIAMETER 2.10MM.
3. SPLIT BUTTON ALLOWS THE WIRES TO BE INSERTED/WITHDRAWN INDEPENDENTLY.
4. INSULATION MATERIAL: NYLON 46, GLASS FILLED, UL94 V-0. COLOR SEE PAGE 17.
5. CONTACT MATERIAL: TIN PLATED COPPER ALLOY.
6. FOR FULL SPECIFICATION REFER TO ELCO SPECIFICATION 201-01-132. FOR APPLICATION NOTES REFER TO ELCO SPECIFICATION 201-01-135.
7. GENERAL TOLERANCE ± 0.20 MM.
8. WIRE STRIP LENGTH GUIDE, SEE PAGE 21.
9. ADHESIVE STRIP FOR PANEL MOUNTING REFER TO PAGE 22.
10. FOR UL PRODUCT CODES UL REFERENCE E90723 (US AND CANADA).

Poke-Home – Junction Box 18-26 AWG: 00-9286

8 Position

18-26 AWG 8 WAY POKE-HOME – JUNCTION BOX



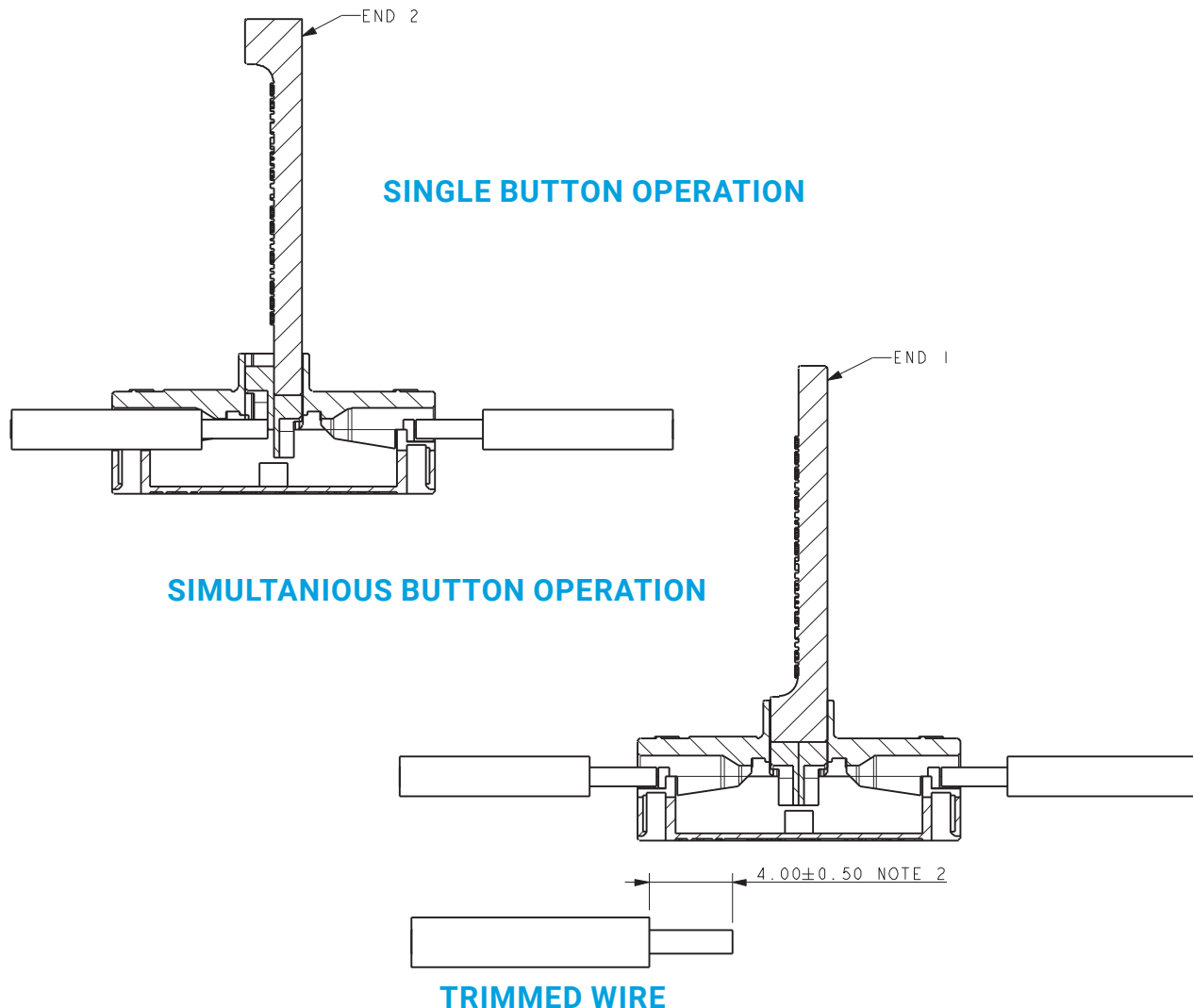
PACKING DETAILS

Pack 400 pieces in a clear plastic bag.

NOTES:

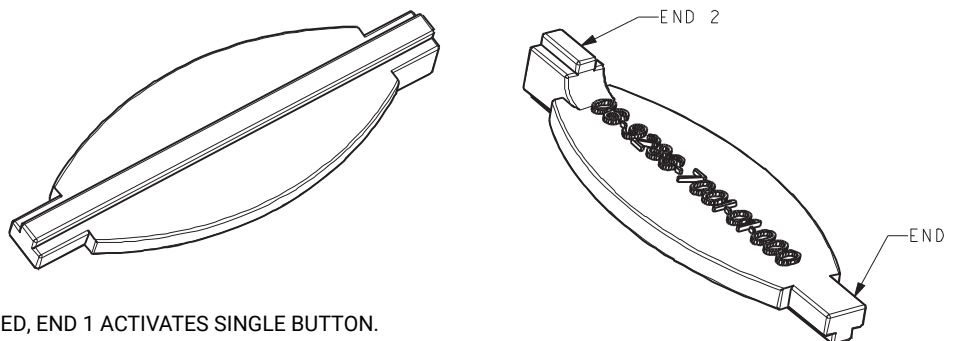
1. 8 WAY WIRE TO WIRE "POKE-HOME" CONNECTOR, BUTTON OPERATED. ALL TERMINALS INTERCONNECTED.
2. WIRE SIZES 18-26 AWG, MAXIMUM INSULATION DIAMETER 2.10MM.
3. SPLIT BUTTON ALLOWS THE WIRES TO BE INSERTED/WITHDRAWN INDEPENDENTLY.
4. INSULATION MATERIAL: NYLON 46, GLASS FILLED, UL94 V-0. COLOR SEE PAGE 17.
5. CONTACT MATERIAL: TIN PLATED COPPER ALLOY.
6. FOR FULL SPECIFICATION REFER TO ELCO SPECIFICATION 201-01-132.
FOR APPLICATION NOTES REFER TO ELCO SPECIFICATION 201-01-135.
7. GENERAL TOLERANCE ± 0.20 MM.
8. WIRE STRIP LENGTH GUIDE, SEE PAGE 21.
9. ADHESIVE STRIP FOR PANEL MOUNTING REFER TO PAGE 22.
10. FOR UL PRODUCT CODES UL REFERENCE E90723 (US AND CANADA).

POKE-HOME BUTTON ACTIVATION TOOL



9286 BUTTON ACTIVATION TOOL

06-9286-7001-01-000



NOTES:

1. TOOL IS DOUBLE ENDED, END 1 ACTIVATES SINGLE BUTTON.
END 2 FOR SIMULTANEOUS BUTTON ACTIVATION.
2. WIRE WHEN TRIMMED TO BE STRAIGHT WITH NO BURRS.
3. FOR FULL ASSEMBLY DETAILS REFER TO APPLICATION NOTES 201-01-135.
4. SUPPLIED IN PACKS OF 100 PIECES.



The Important Information/Disclaimer is incorporated in the catalog where these specifications came from or available online at www.avx.com/disclaimer/ by reference and should be reviewed in full before placing any order.

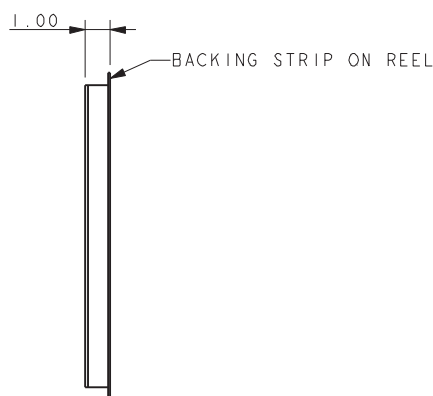
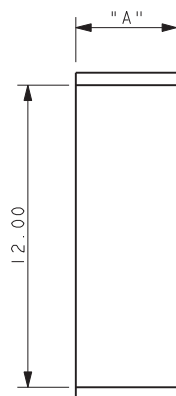
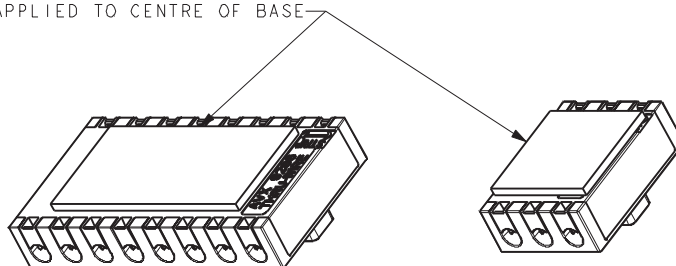
Poke-Home – Junction Box: 00-9286

Adhesive Mounting Tape

08-9286-400X-00-000 ADHESIVE MOUNTING TAPE

ACCESSORY NOT SUPPLIED WITH CONNECTORS

TAPE APPLIED TO CENTRE OF BASE



Part Number	Dimension "A"	Matching Connectors	
		00-9286-00X-021-X06 Thru Wire	00-9286-00X-121-X06 Junction Box
80-9286-4001-00-000	4.00	1 Way	N/A
80-9286-4002-00-000	8.00	2 Way	4 Way
80-9286-4003-00-000	12.00	3 and 4 Way	6 and 8 Way
80-9286-4006-00-000	24.00	6 and 8 Way	N/A

NOTES:

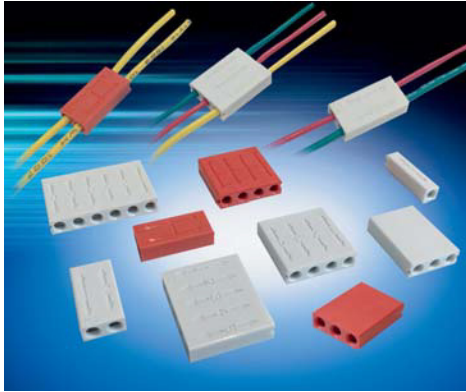
1. DOUBLE SIDED FOAM FILLED ADHESIVE TAPE.
2. WIDTH FOR 1 WAY, 2 WAY, 3 WAY AND 6 WAY CONNECTORS, FOR LENGTH SEE TABLE.
3. USED FOR ADHERE A 9286 CONNECTOR TO A FLAT SURFACE.
4. SOME SURFACES MAY REQUIRE THE USE OF A CLEANING SOLVENT TO ACHIEVE BEST RESULTS.
5. SUPPLIED CUT TO SIZE ON A REEL ON AN OVERSIZE BACKING STRIP PARTS 400 PER REEL.

Reduced Thru Wire Connector

18-24 AWG: 9286-200



General Information



Wire-to-Wire (WTW) connectors have been used in the industrial market for years with traditional 2-Piece (plug & socket) connector systems. These require crimp and poke wire terminations to connect discrete wires together. While these provide repeated pluggability and latching, they are often size and cost prohibited in applications where the wires may only need to be replaced once or twice during their life.

The reduced 9286-200 series of thru wire connectors expands on the already proven 9286 poke-home discrete WTW family of connectors, but in a smaller package size. The development of an active stainless steel spring contact eliminates the need for push button activation to insert and remove wires which offers a significant cost savings. The mechanical properties of this contact provide maximum wire retention across a broad range of solid and stranded wire gauges, making this connector very versatile in field installations.

APPLICATIONS

- Industrial Machine Controls; motors, drives, solenoids, sensors, fans, pumps, etc...
- Commercial Buildings; controls, security, fire and sensors
- Smart Grid; meters, breakers and panels
- SSL/LED; fixtures, signage and streetlights
- Application notes; refer to 201-01-17

FEATURES AND BENEFITS

- Simple strip and poke-home wire insertion with twist and pull wire extraction
- High spring force stainless steel contact maximizes cost, strength and flexibility
- Accepts 18-24 AWG solid and stranded wires
- Expanded size offering to cover multiple power and signal applications: 1p-6p

ELECTRICAL

- Voltage Rating: 300 VAC
- Current Rating: See matrix below

ENVIRONMENTAL

- Operating Temperature: -40°C to +130°C

MECHANICAL

- Insulator Material: Glass-Filled Nylon 46; UL94V0
- Fixed Contact Material: Copper Alloy
- Flexing Contact: Stainless Steel
- Fixed Contact Plating; Tin over Nickel
- Durability: 5 Cycles

HOW TO ORDER

00	9286	00X	203	X	X	6
Prefix	Series	Number of Ways	Wire Size	Insulator Color	Internal Wire Stop and UL Approval	Plating Option
Code Type Details	Code No of POS. DIM. A	Code Wire Gauge Max Insulation	Code Housing Color Availability	Code Housing Color UL Approved	6 = Tin all over	
00 Poke Home Wire-to-Wire	001 1 4.0/4.5 002 2 8.0/8.5 003 3 12.0/12.5 004 4 16.0/16.5 005 5 20.0/20.5 006 6 24.0/24.5	203 18 - 24 AWG 2.10mm DIA.	9 White Standard	0 No Wire Stop Yes 1 With Wire Stop Yes		



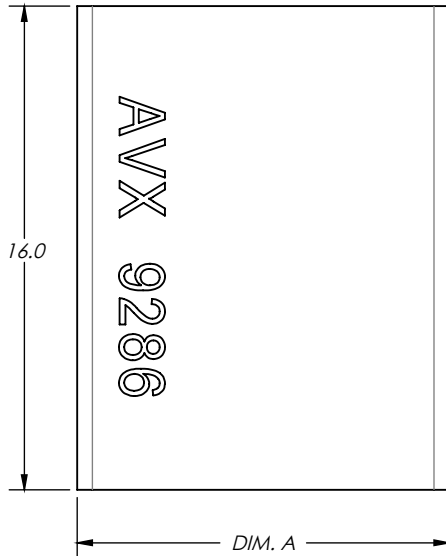
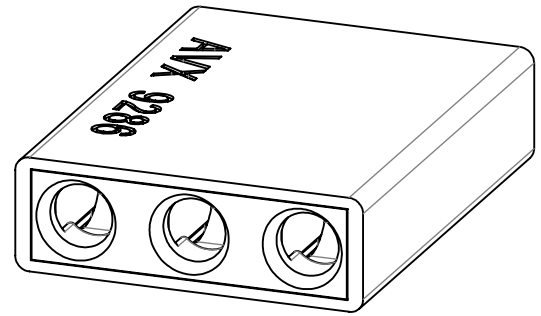
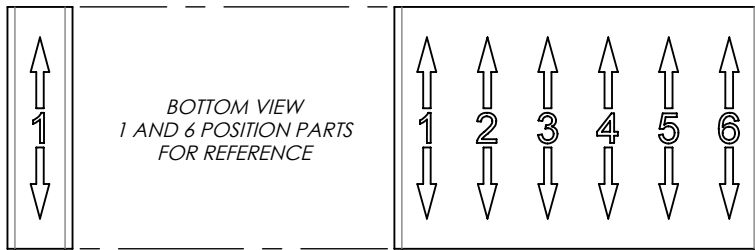
CURRENT RATING

Wire gauge	Maximum approved current (amps)	
	UL (USA)	UL (Canada)
18AWG	8	8
20AWG	6	4
22AWG	5	4
24AWG	3	2

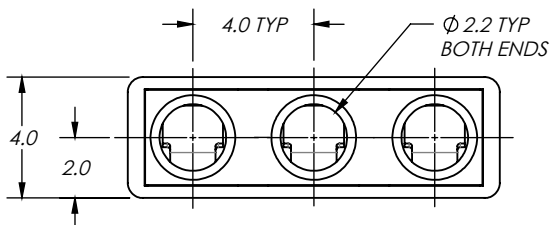
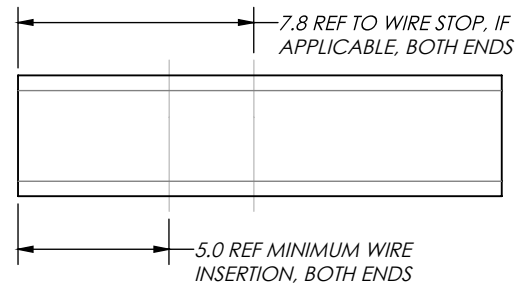
UL File #E90723

Reduced Thru Wire Connector

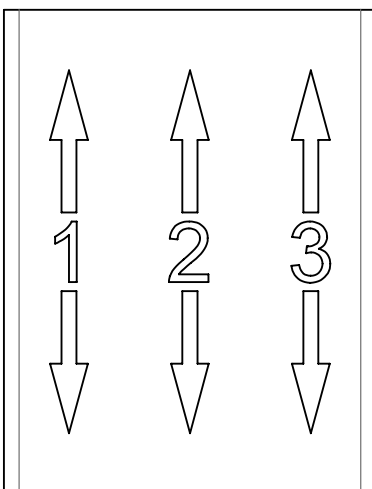
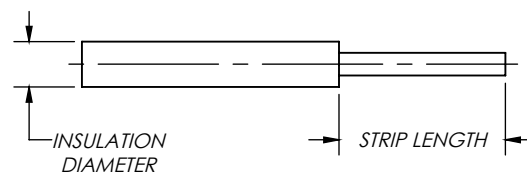
18-24 AWG: 9286-200



Code	No of POS.	DIM. A
001	1	4.0/4.5
002	2	8.0/8.5
003	3	12.0/12.5
004	4	16.0/16.5
005	5	20.0/20.5
006	6	24.0/24.5



Wire Stripping Guidelines	
Insulation Diameter	Strip Length
<=2.10mm	4.0 ± 0.5
>2.10mm (NOTE 7)	7.0 ± 0.5



NOTES:

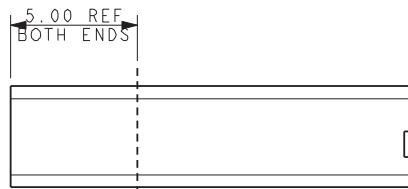
1. WIRE-TO-WIRE POKE HOME CONNECTOR. AVAILABLE WITH OR WITHOUT INTERNAL WIRE STOP
2. WIRE CONDUCTOR SIZES 18-24AWG (SOLID OR STRANDED). MAXIMUM INSULATION 2.10MM DIAMETER.
3. HOUSING MATERIAL: GLASS-FILLED STANYL 46, UL94V-0. COLOR PER P.N. CODE AT LEFT
4. FIXED CONTACT: TIN PLATED COPPER ALLOY.
5. FLEXING CONTACT: STAINLESS STEEL.
6. PACKAGING TO BE IN BULK; 1,000 PARTS PER BAG.
7. FOR FURTHER DETAILS, REFER TO SPECIFICATION 201-01-171 AND APPLICATION NOTES 201-01-172
8. UL APPROVED. UL REFERENCE E90723 (US AND CANADA)

**POKE HOME – THRU WIRE
WIRE TRIM**

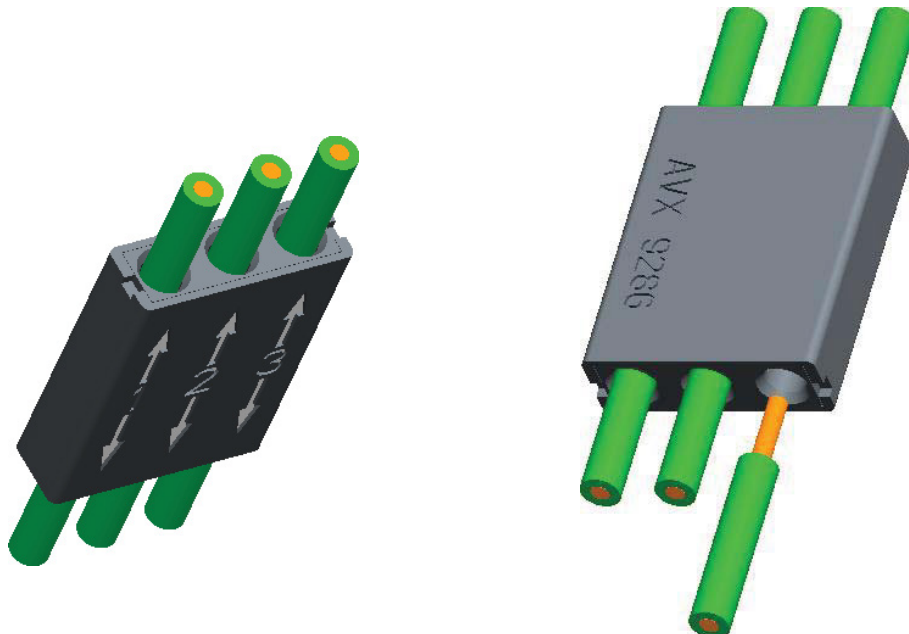


Insulation Diameter	Wire Trim Length X
Up to 2.10 Diameter	4.00 ± 0.50
Above 2.10mm Diameter See Application Notes 201-01-172	7.00 ± 0.50

REST POSITION OF CONTACT TIP



**POKE HOME – THRU WIRE
ASSEMBLY**



FOR FULL ASSEMBLY DETAILS REFER TO APPLICATION NOTE 201-01-172

Reduced Junction Box Connectors

18-24 AWG: 9286-250



General Information



Wire-to-Wire (WTW) connectors have been used in the industrial market for years with traditional 2-Piece (plug & socket) connector systems. These require crimp and poke wire terminations to connect discrete wires together. While these provide repeated pluggability and latching, they are often size and cost prohibited in applications where the wires may only need to be replaced once or twice during their life.

The reduced 9286-250 series of junction connectors expands on the already proven 9286 poke-home discrete WTW family of connectors, but in a smaller package size. Junction box connectors electrically connect each of the inserted wires together, similar to a branch or splitter application but with multiple outputs. The development of an active stainless steel spring contact eliminates the need for push button activation to insert and remove wires which offers a significant cost savings. The mechanical properties of this contact provide maximum wire retention across a broad range of solid and stranded wire gauges, making this connector very versatile in field installations.

APPLICATIONS

- Industrial Machine Controls; motors, drives, solenoids, sensors, fans, pumps, etc...
- Commercial Buildings; controls, security, fire and sensors
- Smart Grid; meters, breakers and panels
- SSL/LED; fixtures, signage and streetlights
- Application notes; refer to 201-01-172

FEATURES AND BENEFITS

- Simple strip and poke-home wire insertion with twist and pull wire extraction
- High spring force stainless steel contact maximizes cost, strength and flexibility
- Accepts 18-24 AWG solid and stranded wires
- Expanded size offering to allow up to 8 wires to be connected together

ELECTRICAL

- Voltage Rating: 300 VAC
- Current Rating: See matrix below

ENVIRONMENTAL

- Operating Temperature: -40°C to +130°C

MECHANICAL

- Insulator Material; Glass-Filled Nylon 46; UL94V0
- Fixed Contact Material; Copper Alloy
- Flexing Contact; Stainless Steel
- Fixed Contact Plating; Tin over Nickel
- Durability; 5 Cycles

HOW TO ORDER

00	9286	00X	253	X	X	06
Prefix	Series	Number of Ways	Wire Size	Insulator Color	Internal Wire Stop and UL Approval	Plating Option
Code	Type	Code	Accepted Wire Gauge	Standard	Code	06 = Tin All Over
00	Poke Home	No of Ways	18 – 24 AWG	9 = UL White	0	No wire stop
	Wire-to-Wire	DIM. A	Solid or Stranded	Specal Order Only	1	With wire stop
				0 = UL Black		
				2 = UL Brown		
				3 = UL Blue		
				4 = UL Yellow		
				6 = UL Green		
				7 = UL Orange		

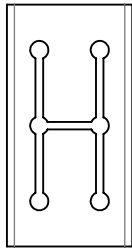
CURRENT RATING

Wire gauge	Maximum approved current (amps)	
	UL (USA)	UL (Canada)
18AWG	8	7
20AWG	8	7
22AWG	6	6
24AWG	4	4

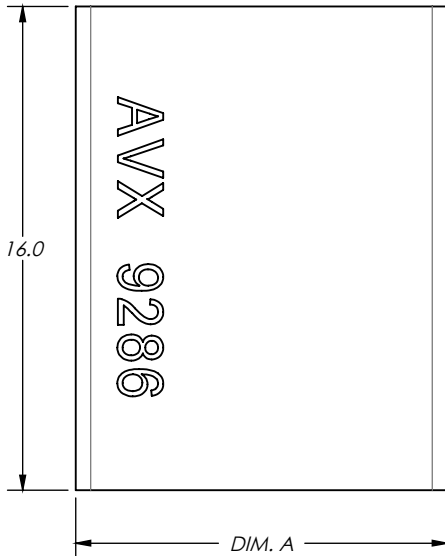
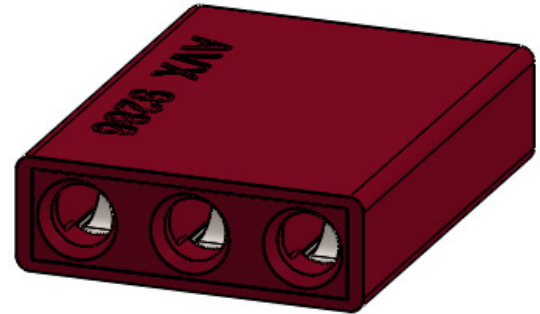
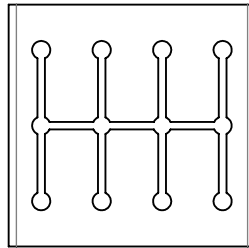
UL File #E90723

Reduced Junction Box Connectors

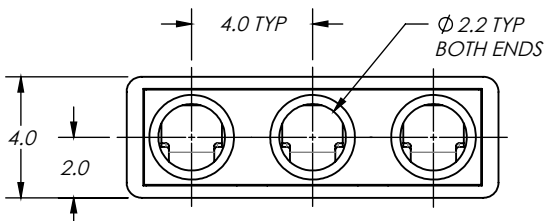
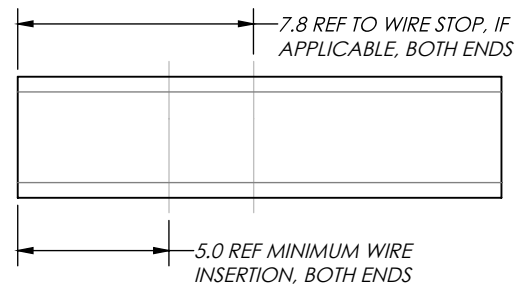
18-24 AWG: 9286-250



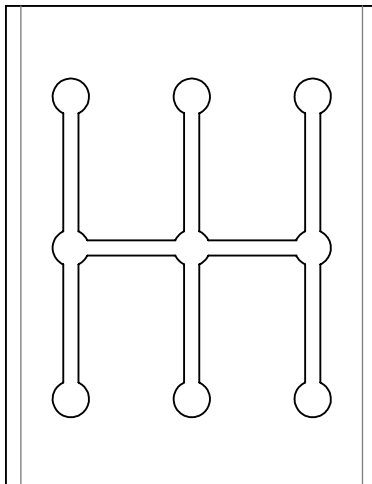
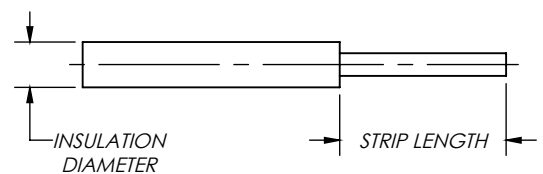
BOTTOM VIEW
4 AND 8 POSITION PARTS
FOR REFERENCE



Code	No of Ways	DIM. A
004	4	8.0/8.5
006	6	12.0/12.5
008	8	16.0/16.5



Wire Stripping Guidelines	
Insulation Diameter	Strip Length
$\leq 2.10\text{mm}$	4.0 ± 0.5
$> 2.10\text{mm}$ (NOTE 7)	7.0 ± 0.5



NOTES:

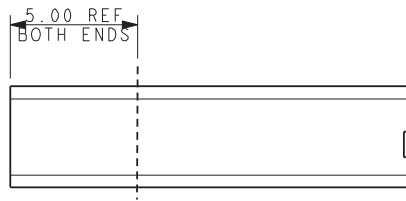
1. WIRE-TO-WIRE POKE HOME CONNECTOR, JUNCTION BOX (ALL WIRES CONNECTED). AVAILABLE WITH OR WITHOUT INTERNAL WIRE STOP.
2. WIRE CONDUCTOR SIZES: 18-24AWG, SOLID AND STRANDED. SEE ABOVE FOR WIRE STRIPPING GUIDELINES.
3. HOUSING MATERIAL: GLASS-FILLED STANYL 46, UL94V-0. COLOR PER P.N. CODE AT LEFT.
4. FIXED CONTACT: TIN PLATED COPPER ALLOY.
5. FLEXING CONTACT: STAINLESS STEEL.
6. PACKAGING TO BE IN BULK; 1,000 PARTS PER BAG.
7. FOR FURTHER DETAILS, REFER TO SPECIFICATION 201-01-171 AND APPLICATION NOTES 201-01-172.
8. UL APPROVED. UL REFERENCE E90723 (US AND CANADA)

**POKE HOME – JUNCTION BOX
WIRE TRIM**

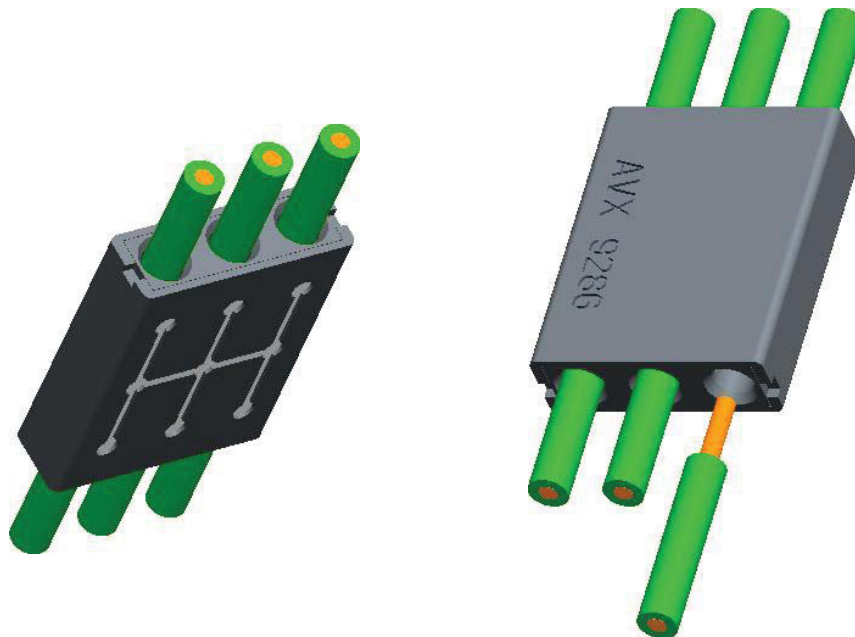


Insulation Diameter	Wire Trim Length X
Up to 2.10 Diameter	4.00 ± 0.50
Above 2.10mm Diameter See Application Notes 201-01-172	7.00 ± 0.50

REST POSITION OF CONTACT TIP



**POKE HOME – THRU WIRE
ASSEMBLY**



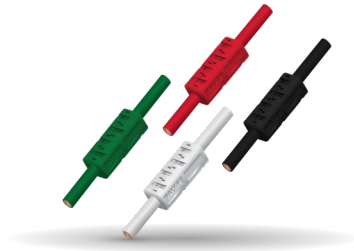
FOR FULL ASSEMBLY DETAILS REFER TO APPLICATION NOTE 201-01-172

Thru Wire Connector

12-18 AWG: WTW - 9286-300



General Information



GENERAL DESCRIPTION

Poke-Home wire-to-wire connectors have been proven to be very simple and reliable over the past several years. Until today, they have been focused on the light industrial wire gauge ranges of 18AWG to 24AWG.

The latest product has just been developed to address the heavier 12AWG to 18AWG. This new 300 series of connectors employs a single, phosphor bronze contact technology with a center wire stop. Accepting both solid and stranded wires, pre-stripped wires can be easily inserted and then twist and pulled to be removed.

APPLICATIONS

- Industrial Machine Controls: motors, drives, solenoids, pumps, coils or transformers
- Commercial Building: controls, security and fire
- Smart Grid: meters, breakers and panels
- SSL: fixtures and wiring
- Application notes: refer to 201-01-218

FEATURES AND BENEFITS

- Simple strip and poke-home wire insertion with twist and pull wire extraction
- One-Piece contact with high force contact beams provide mechanical stability and wire retention
- Integral wires stop prevents over insertion
- -316 product will accept both 16AWG and 18AWG solid and stranded wires

ELECTRICAL

- Current Rating:

Connector	Wire Gauge	Solid Wire
16 AWG	18 AWG	10A
16 AWG	16 AWG	11A
14 AWG	14 AWG	13A
12 AWG	12 AWG	15A

- Voltage Rating: 600 V

ENVIRONMENTAL

- Operating Temperature: -40°C to +130°C

MECHANICAL

- Contact Material: Phosphor Bronze
- Plating: Pure Tin Over Nickel
- Durability: 5 Cycles

HOW TO ORDER

00	9286	001	3XX	X	06
Prefix	Series	Number of Ways	Wire Size*	Housing Color	Plating Option
00 = Standard Products		001 = 1	312 = 12AWG/3.3 – 3.9mm ² 314 = 14AWG/2.0 – 2.5mm ² 316 = 16AWG/1.3 – 1.6mm ² 18AWG/0.8 – 1.0mm ²	Standard 9 = UL White/ NaturalSpecial 8 = UL Black 0 = UL Gray 1 = UL Violet 2 = UL Brown 3 = UL Blue 4 = UL Yellow 5 = UL Red 6 = UL Green 7 = UL Orange	06 = Lead-Free Tin All Over

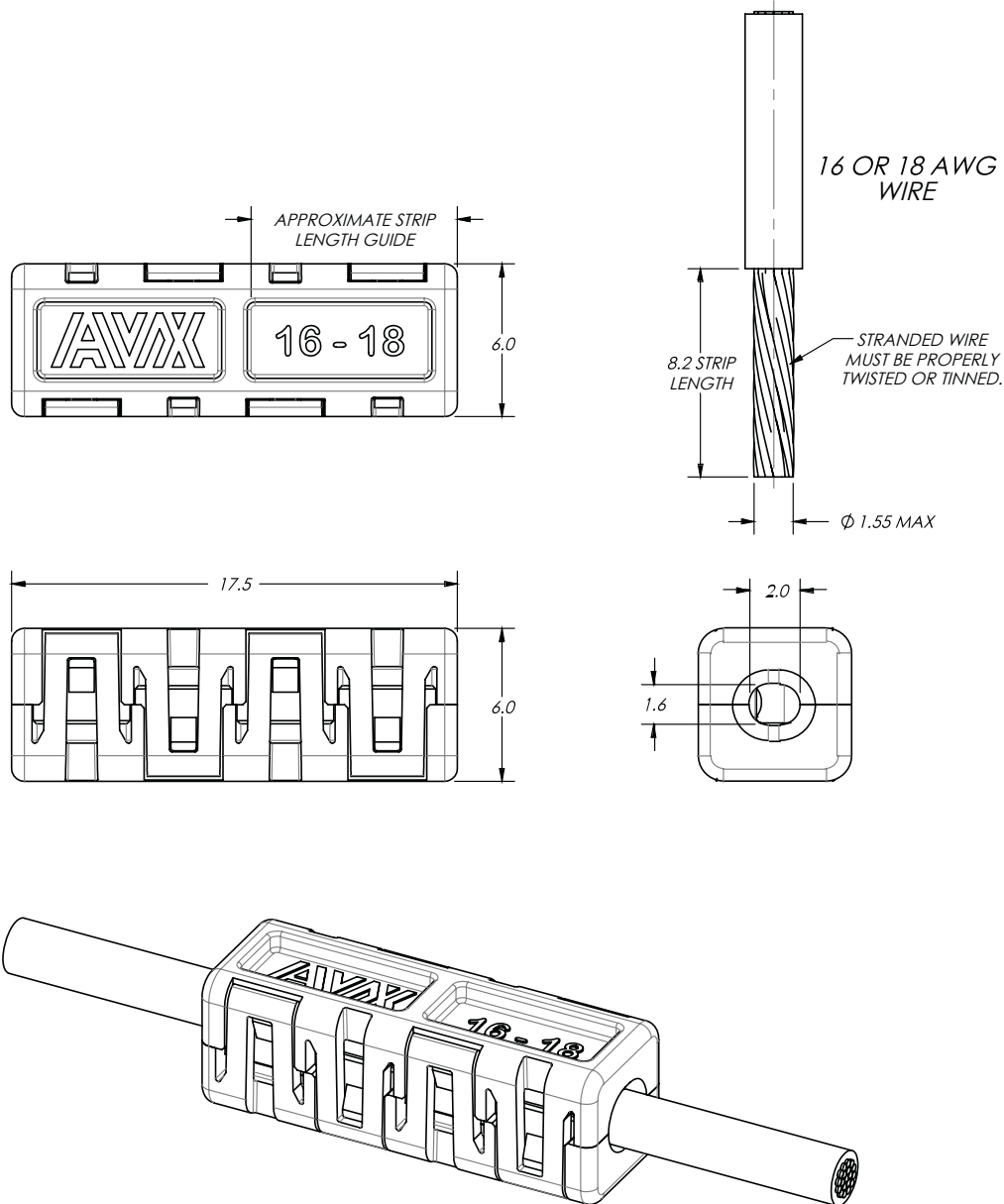
*Solid or Standed wire accepted:
more than 19 strands per wire not recommended

Certification: UL File #E90723

Thru Wire Connector

12-18 AWG: WTW - 9286-300

00-9286-001-316-X06



NOTES:

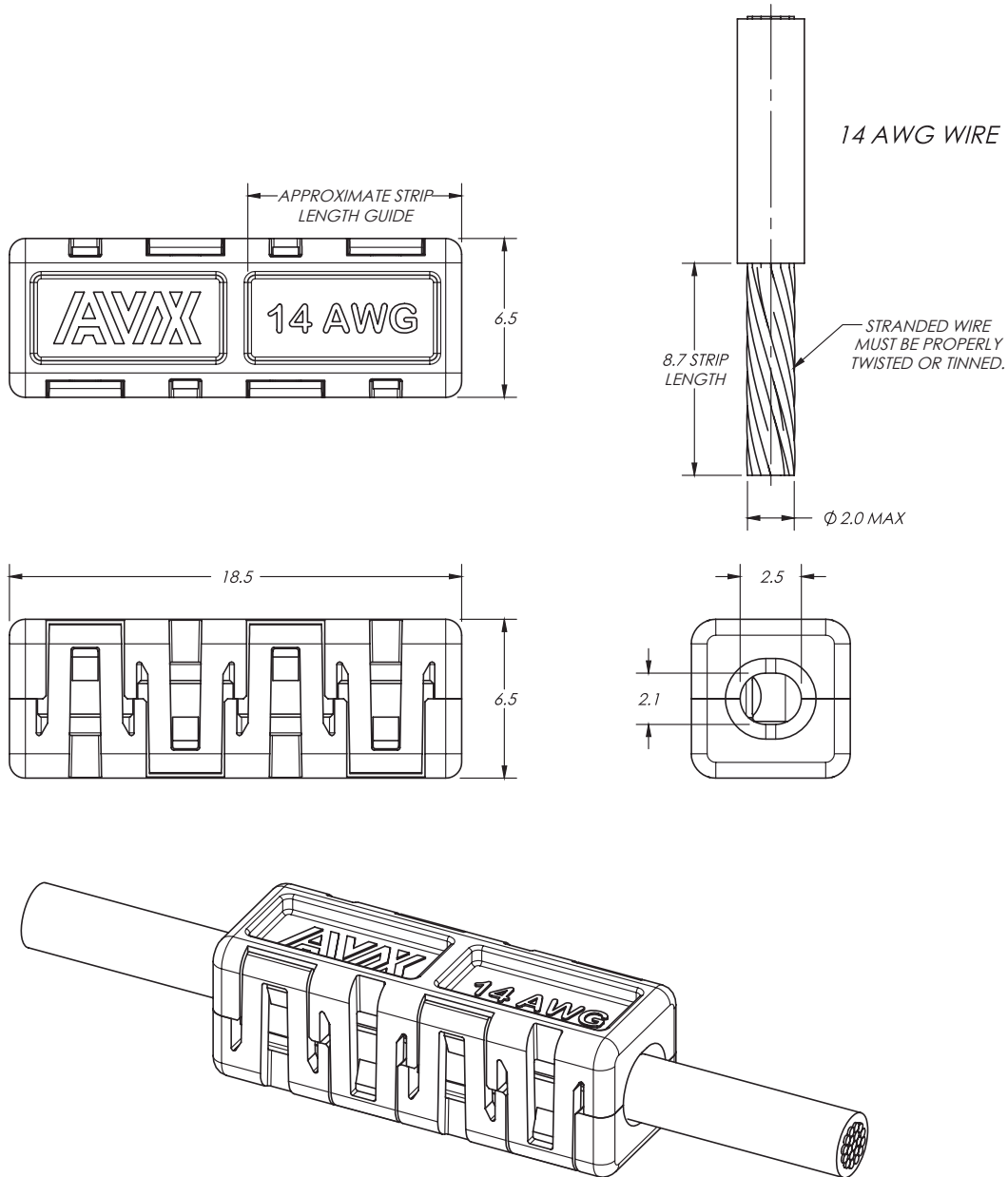
1. HOUSING MATERIAL: GLASS-FILLED THERMOPLASTIC FLAME RETARDANT PER UL94V-0; COLOR SEE PAGE 1.
2. CONTACT MATERIAL: HIGH STRENGTH COPPER ALLOY.
3. CONTACT PLATING: LEAD-FREE TIN OVER NICKEL.
4. PACKAGING TO BE IN BULK, 500 PER BAG.
5. FOR ADDITIONAL INFORMATION, SEE KYOCERA AVX PRODUCT SPECIFICATION 201-01-217, AND APPLICATION NOTES 201-01-218

Thru Wire Connector

12-18 AWG: WTW - 9286-300



00-9286-001-314-X06



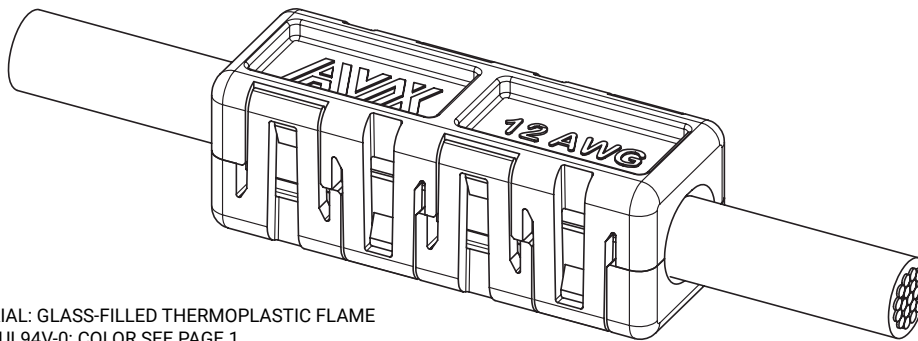
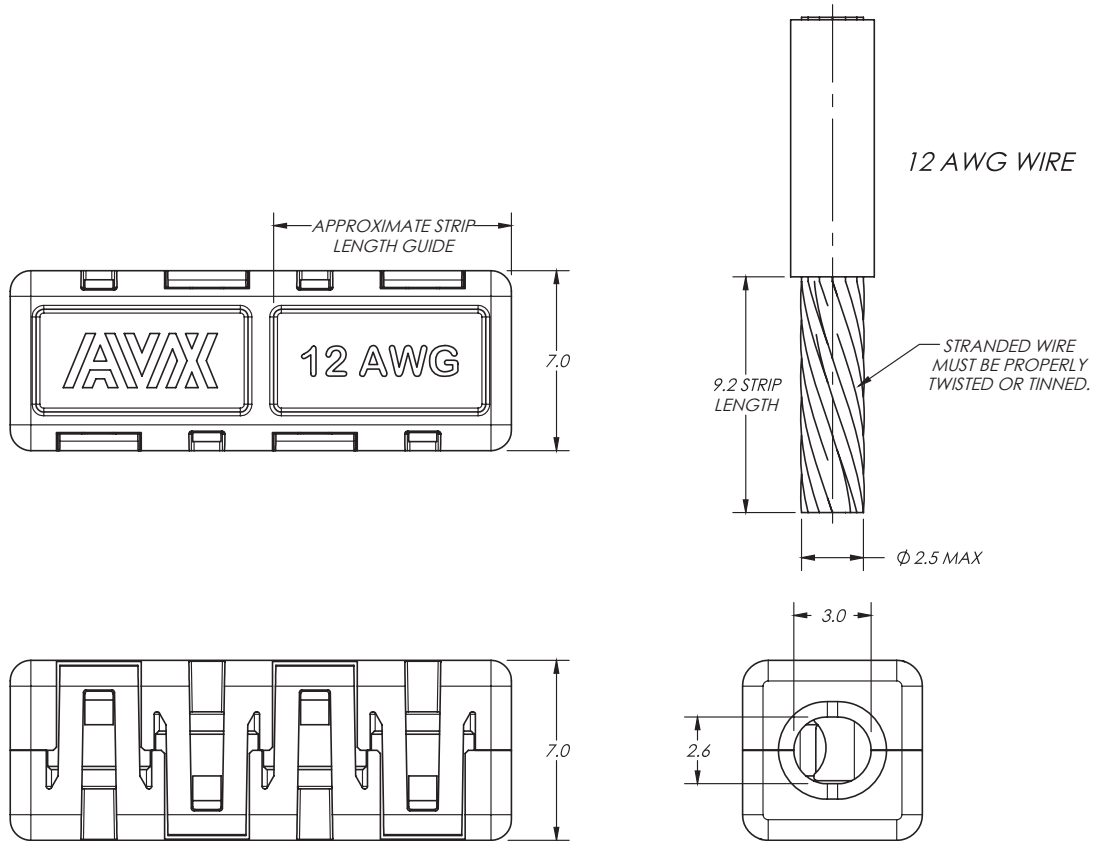
NOTES:

1. HOUSING MATERIAL: GLASS-FILLED THERMOPLASTIC FLAME RETARDANT PER UL94V-0: COLOR SEE PAGE 1.
2. CONTACT MATERIAL: HIGH STRENGTH COPPER ALLOY.
3. CONTACT PLATING: LEAD-FREE TIN OVER NICKEL.
4. PACKAGING TO BE IN BULK, 500 PER BAG.
5. FOR ADDITIONAL INFORMATION, SEE KYOCERA AVX PRODUCT SPECIFICATION 201-01-217, AND APPLICATION NOTES 201-01-218.

Thru Wire Connector

12-18 AWG: WTW - 9286-300

00-9286-001-312-X06



NOTES:

1. HOUSING MATERIAL: GLASS-FILLED THERMOPLASTIC FLAME RETARDANT PER UL94V-0: COLOR SEE PAGE 1.
2. CONTACT MATERIAL: HIGH STRENGTH COPPER ALLOY.
3. CONTACT PLATING: LEAD-FREE TIN OVER NICKEL.
4. PACKAGING TO BE IN BULK, 500 PER BAG.
5. FOR ADDITIONAL INFORMATION, SEE KYOCERA AVX PRODUCT SPECIFICATION 201-01-217, AND APPLICATION NOTES 201-01-218.



FOLLOW US: ■ ■ ■ ■ ■

VISIT US AT WWW.KYOCERA-AVX.COM ■

A light gray world map is centered in the background of the lower half of the page. The map shows the continents of North America, Central America, Europe, Asia, and Japan.

North America

Tel: +1 864-967-2150

Europe

Tel: +44 1276-697000

Asia

Tel: +65 6286-7555

Central America

Tel: +55 11-46881960

Japan

Tel: +81 740-321250