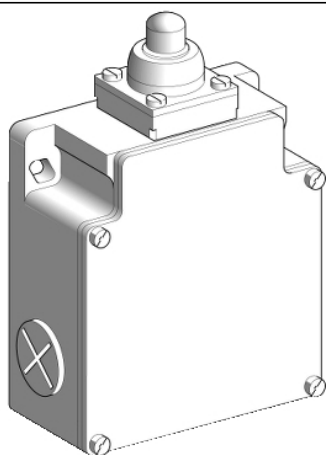


XCKML110

Limit switch, Limit switches XC Standard, XCKML, metal end plunger, 2x(1NC+1NO), snap action, Pg13



Main

| | |
|-------------------------------|--|
| Range of Product | Telemecanique Limit switches XC Standard |
| Series name | Standard format |
| Product or Component Type | Limit switch |
| Device short name | XCKML |
| Body type | Fixed |
| Head type | Plunger head |
| Material | Metal |
| Body Material | Zamak |
| Fixing Mode | By the body |
| Movement of operating head | Linear |
| Type of operator | Spring return plunger metal |
| Type of approach | Vertical approach, 1 direction |
| Cable entry | 3 entries tapped for Pg 13.5 cable gland 0.35... 0.47 in (9...12 mm) |
| Number of poles | 4 |
| Contacts type and composition | 2 x (1 NC + 1 NO) |
| Contact operation | Snap action |

Complementary

| | |
|--|--|
| Switch actuation | On end |
| Electrical connection | Screw-clamp terminals 1 x 0.34...2 x 1.5 mm ² |
| Contacts insulation form | Zb |
| Number of steps | 1 |
| Positive opening | With |
| Positive opening minimum force | 60 N |
| Minimum force for tripping | 15 N |
| Minimum actuation speed | 0.01 m/min |
| Maximum actuation speed | 1.64 ft/s (0.5 m/s) |
| Repeat accuracy | 0.1 mm on the tripping points with 1 million operating cycles |
| [Ithe] conventional enclosed thermal current | 10 A AC |
| [Ui] rated insulation voltage | 300 VUL 508 500 V 3)IEC 60947-1 300 VCSA C22.2 No 14 |
| Maximum resistance across terminals | 25 MOhm IEC 60255-7 category 3 |
| [Uimp] rated impulse withstand voltage | 6 KV IEC 60664 6 kV IEC 60947-1 |
| Electrical durability | 5000000 Cycles, DC-13, inductive, 120 V, 4 W 60 cyc/mn 0.5 IEC 60947-5-1 appendix C 5000000 Cycles, DC-13, inductive, 24 V, 7 W 60 cyc/mn 0.5 IEC 60947-5-1 appendix C 5000000 cycles, DC-13, inductive, 48 V, 10 W 60 cyc/mn 0.5 IEC 60947-5-1 appendix C |
| Mechanical durability | 3000000 cycles |
| Width | 3.03 in (77 mm) |
| Height | 3.19 in (81 mm) |
| Depth | 1.42 in (36 mm) |

The information provided in this documentation contains general descriptions and/or technical characteristics of the performance of the products contained herein. This documentation is not intended as a substitute for and is not to be used for determining suitability or reliability of these products for specific user applications. It is the duty of any such user or integrator to perform the appropriate and complete risk analysis, evaluation and testing of the products with respect to the relevant specific application or use thereof. Neither Schneider Electric Industries SAS nor any of its affiliates or subsidiaries shall be responsible or liable for misuse of the information contained herein.

| | |
|-------------------------------|------------------------|
| Net Weight | 0.88 lb(US) (0.4 kg) |
| Terminals description ISO n°1 | (13-14)NO (21-22)NC |

Environment

| | |
|---------------------------------------|---|
| Shock resistance | 50 gn 11 ms EN/IEC 60068-2-27 |
| Vibration resistance | 25 gn 10...500 Hz)EN/IEC 60068-2-6 |
| IP degree of protection | IP66 conforming to EN/IEC 60529 |
| IK degree of protection | IK05 EN 50102 |
| Electrical shock protection class | Class I IEC 61140 Class I NF C 20-030 |
| Ambient Air Temperature for Operation | -13...158 °F (-25...70 °C) |
| Ambient Air Temperature for Storage | -40...158 °F (-40...70 °C) |
| Protective treatment | TC |
| Product Certifications | UL CSA |
| Standards | IEC 60204-1 EN 60947-5-1 UL 508 IEC 60947-5-1 CSA C22.2 No 14 EN 60204-1 |

Ordering and shipping details

| | |
|-----------------------|-------------------------------|
| Category | 22416-LIMIT SWITCHES,IEC,XCKL |
| Discount Schedule | T |
| GTIN | 3389110158939 |
| Nbr. of units in pkg. | 1 |
| Package weight(Lbs) | 14.89 oz (422.0 g) |
| Returnability | No |
| Country of origin | FR |

Packing Units

| | |
|------------------------------|-------------------------|
| Unit Type of Package 1 | PCE |
| Package 1 Height | 1.61 in (4.1 cm) |
| Package 1 width | 3.35 in (8.5 cm) |
| Package 1 Length | 4.72 in (12 cm) |
| Unit Type of Package 2 | S02 |
| Number of Units in Package 2 | 20 |
| Package 2 Weight | 19.61 lb(US) (8.897 kg) |
| Package 2 Height | 5.91 in (15 cm) |
| Package 2 width | 11.81 in (30 cm) |
| Package 2 Length | 15.75 in (40 cm) |

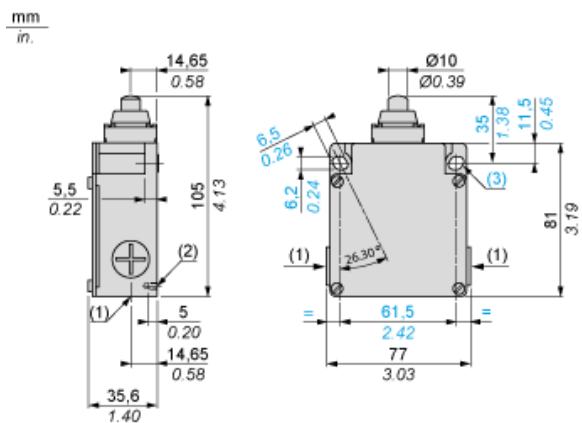
Offer Sustainability

| | |
|----------------------------|---|
| Sustainable offer status | Green Premium product |
| California proposition 65 | WARNING: This product can expose you to chemicals including: Diisononyl phthalate (DINP), which is known to the State of California to cause cancer, and Di-isodecyl phthalate (DIDP), which is known to the State of California to cause birth defects or other reproductive harm. For more information go to www.P65Warnings.ca.gov |
| REACH Regulation | REACH Declaration |
| EU RoHS Directive | Pro-active compliance (Product out of EU RoHS legal scope) EU RoHS Declaration |
| Mercury free | Yes |
| RoHS exemption information | Yes |
| Environmental Disclosure | Product Environmental Profile |

Contractual warranty

| | |
|----------|-----------|
| Warranty | 18 months |
|----------|-----------|

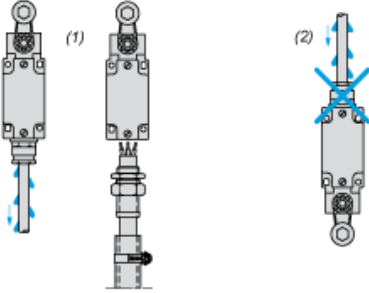
Dimensions



- (1) 3 tapped entries for Pg 13.5 cable gland
- (2) 2 centring holes $\text{Ø } 3.9 \pm 0.2$, for cover fixing holes alignment.
- Ø : 2 elongated holes 6.2×6.5 , inclined at $26^\circ 30'$ to the vertical axis, for M5 screws.

Mounting with Cable Entry

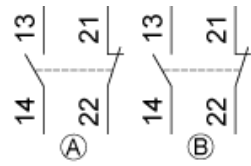
Position of Cable Gland



- (1) Recommended
- (2) To be avoided

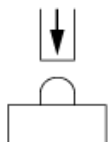
Wiring Diagram

2 x 2-pole NC + NO Snap Action

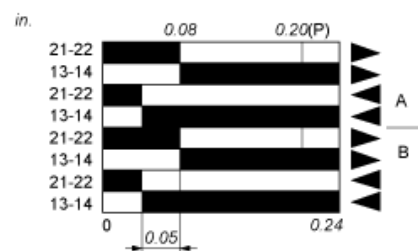
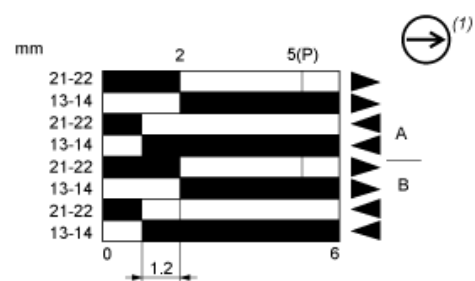


Characteristics of Actuation

Switch Actuation on End



Functionnal Diagram



- (2)
- (3)
- ▶ (4)
- ◀ (5)

- (P) Positive opening point
- (1) NC contact with positive opening operation
- (2) Closed
- (3) Open
- (4) Tripping
- (5) Resetting