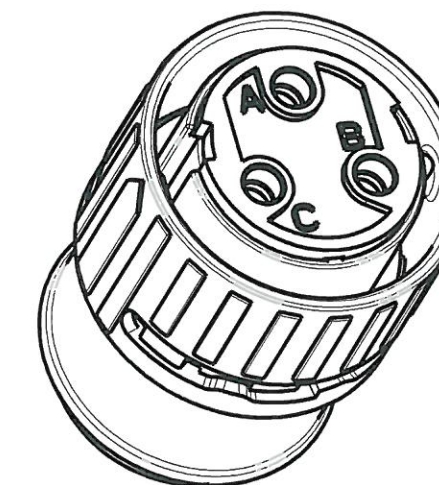
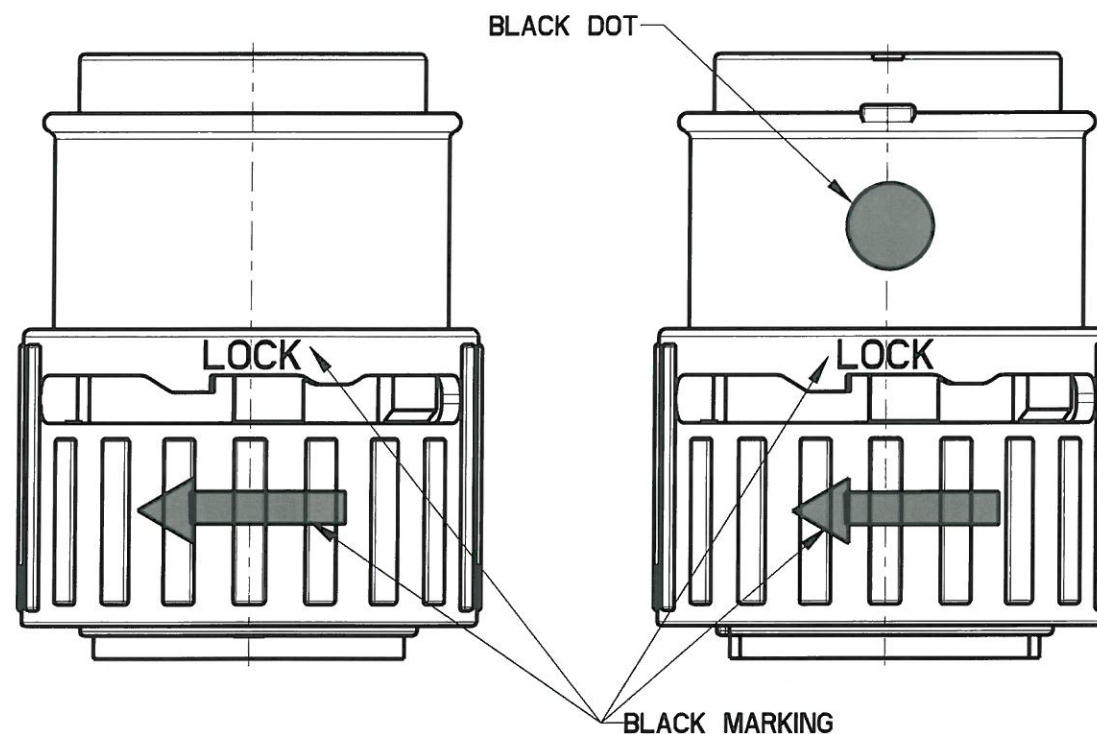
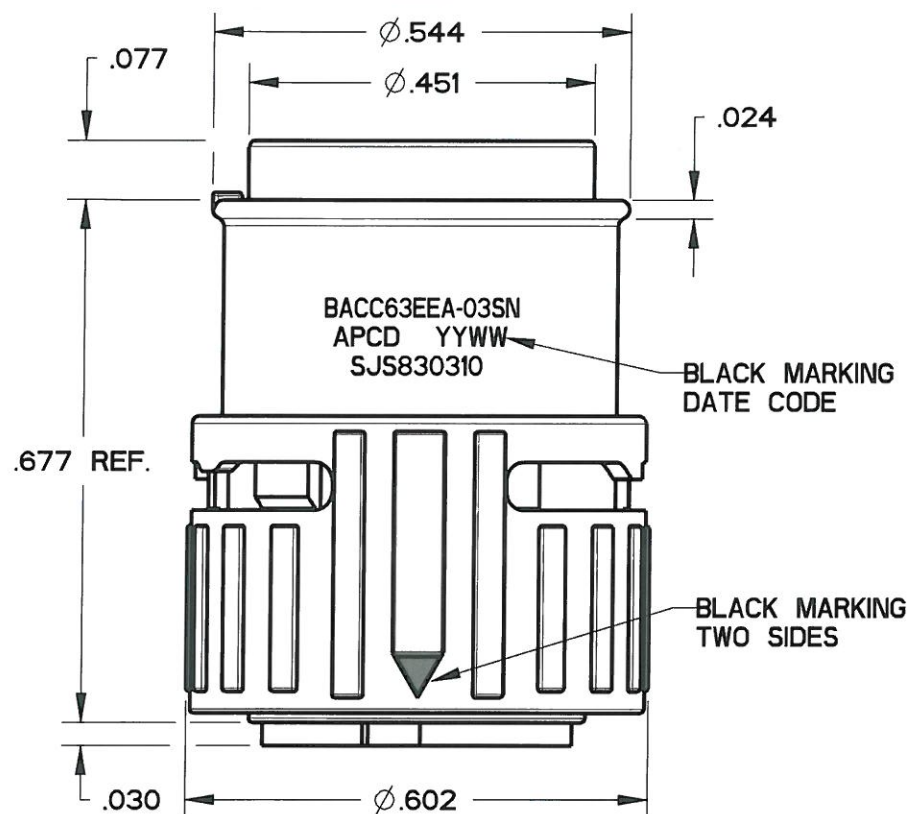
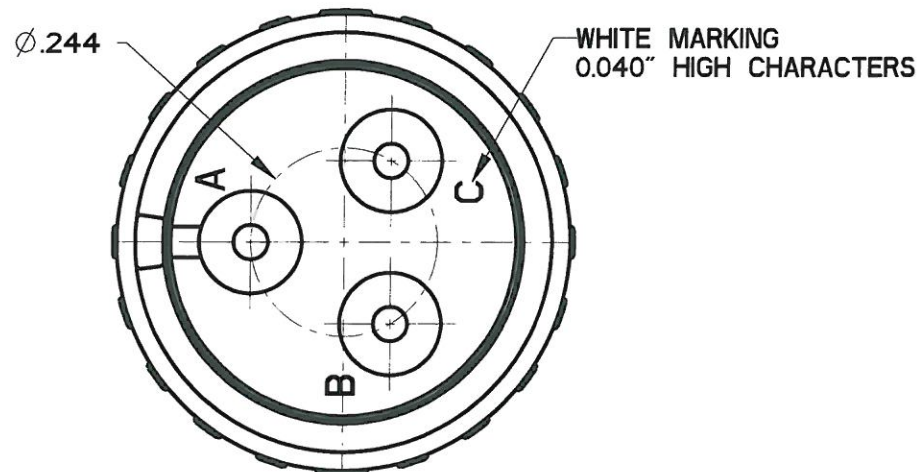


REV	ECN	APP'D
A	6351	JT 09/11/09
B	6473	JT 2/8/10
C	6481	JT 2/22/10
D	6573	JT 8/30/10
E	6655	JT 1/18/11

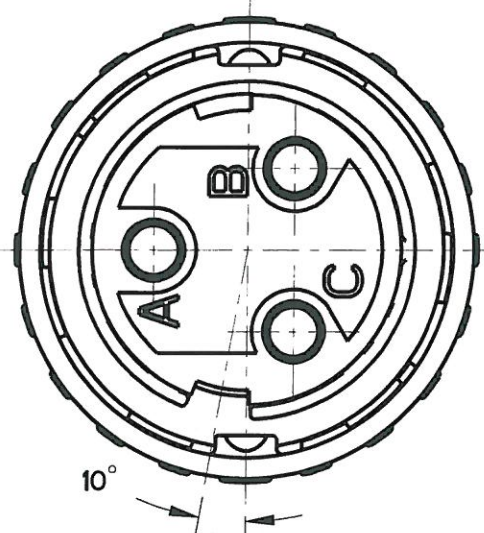


SCALE 3:1

- NOTES:
- MATERIALS:  
HOUSING: PA6/6  
CONTACT RETAINER: STAINLESS STEEL  
GROMMET: SILICONE RUBBER PER A-A-59588
  - MATING CONTACTS: SEE TABLE I
  - TEST SPECIFICATION: BACC63EE
  - WHEN ASSEMBLED, "LOCK" AND ARROW MARKINGS MUST ALIGN WITH BLACK DOT
  - PART MATES WITH SJS830300 OR SJS830320
  - WEIGHT: 2.6 GRAMS
  - SUPPLIED WITH DUST CAP

TABLE I

APCD P/N	BOEING P/N	P/N MARKING(S)	CONTACTS SUPPLIED
SJS830310	BACC63EEA-03SNH	BACC63EEA-03SN	NONE
SJS830311	BACC63EEA-03SN	SJS830310	(3) M39029/57-358



<b>DIMENSIONS</b> ANSI Y14.5M UNITS: INCHES Pro/E FILE	<b>TOLERANCES</b> .XX ±0.01 .XXX ±0.005 ANGLES ±10°	<b>PROJECTION</b> 	<b>Amphenol Pcd</b> SPECIFICATION DRAWING ENGR Frank.Li 02-Mar-09		<b>TITLE</b> BACC63EEA-03SN 3P SZ16 INLINE WHITE PLUG FOR SJS		
			ORIGINAL 	THIS DOCUMENT CONTAINS PROPRIETARY INFORMATION WHICH IS THE CONFIDENTIAL PROPERTY OF AMPHENOL PCD INC., BEVERLY, MA		CHKD  4/18/11 APPD  1/18/11	SIZE <b>B</b>
			CODE: 58982	SCALE: 4:1	SHEET 1 OF 1		

SJS830310

SJS830310