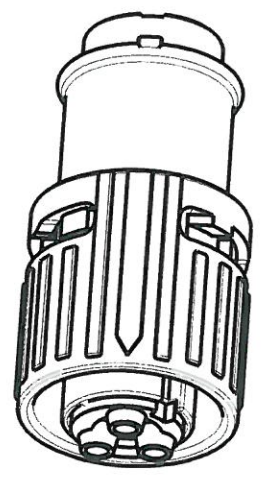
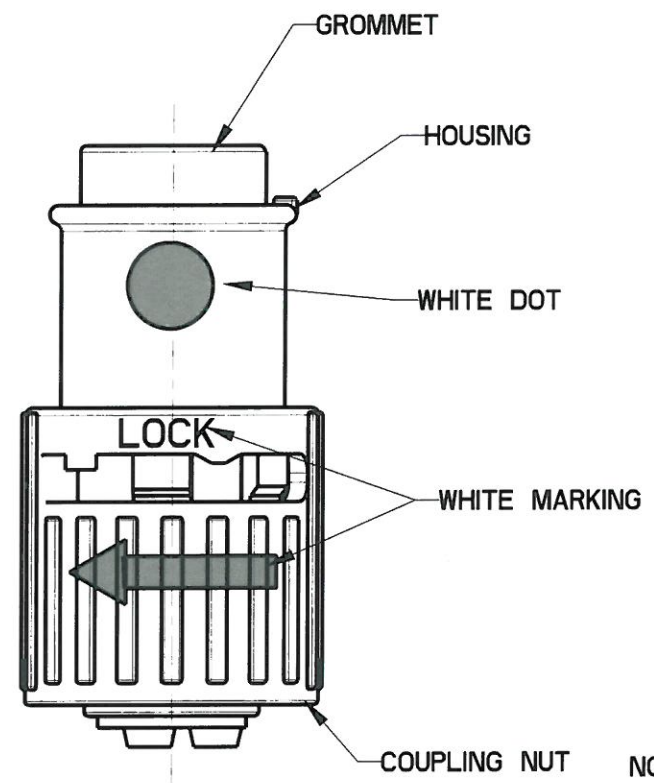
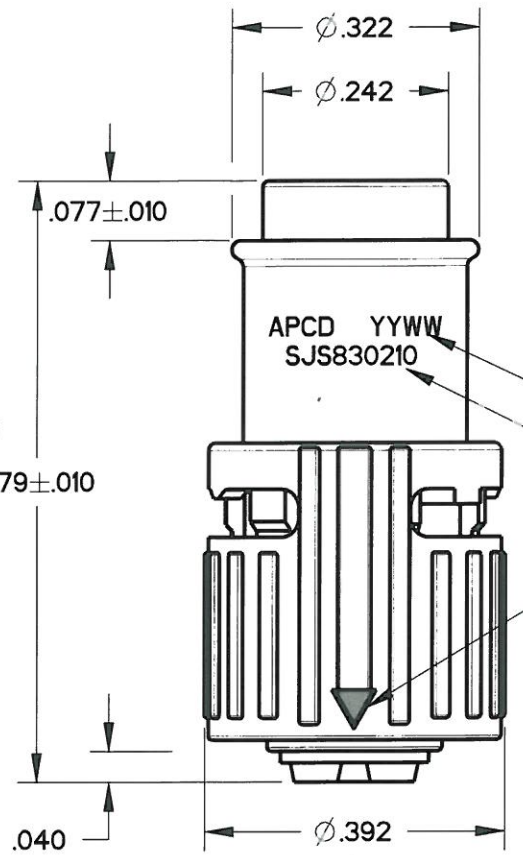
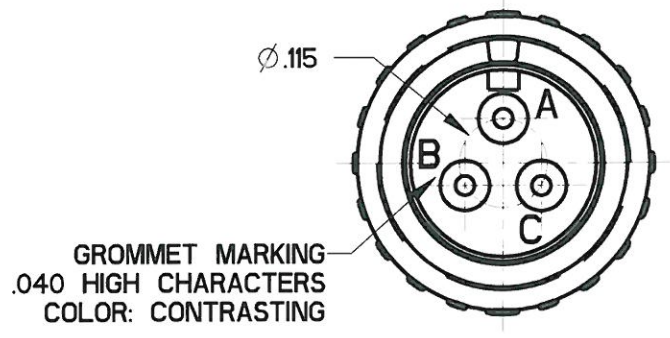
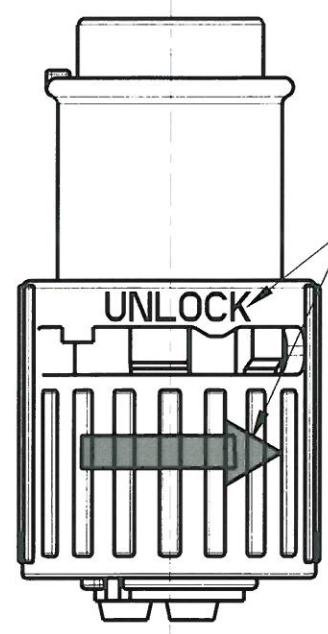


REV	ECN	APP'D
-	6730	<i>[Signature]</i>



SCALE 3:1



WHITE MARKING

.779±.010

.040

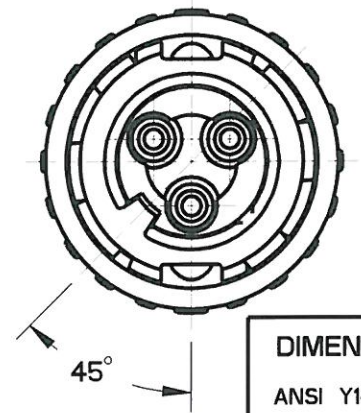
DATE CODE
PART MARKING
TEXT HEIGHT: .030
COLOR: WHITE

WHITE MARKING
TWO SIDES

- NOTES:
- MATERIALS:
HOUSING: PA6/6, COLOR: BLACK
COUPLING NUT: PA6/6, COLOR: BLACK
CONTACT RETAINER: STAINLESS STEEL
GROMMET: SILICONE RUBBER PER A-A-59588, COLOR: RED
 - ACCEPTS M39029/57-354 SOCKET CONTACTS (NOT INCLUDED)
 - WHEN ASSEMBLED, "LOCK" AND ARROW MARKINGS MUST ALIGN WITH WHITE DOT
 - PART MATES WITH SJS830230
 - WEIGHT: 1.5 GRAMS (EST.)

SJS830210

SJS830210



DIMENSIONS ANSI Y14.5M UNITS: INCHES Pro/E FILE	TOLERANCES .XX ±0.01 .XXX ±0.005 ANGLES ±2.0°	PROJECTION 	Amphenol Pcd SPECIFICATION DRAWING		TITLE SJS, PLUG (3) POSITION SIZE 22 SHELL SIZE 5		
			ENGR WESLEY YU 03-June-10	CHKD <i>[Signature]</i> 9/8/11	SIZE B	DWG NO. SJS830210_CE	REV -
ORIGINAL 	THIS DOCUMENT CONTAINS PROPRIETARY INFORMATION WHICH IS THE CONFIDENTIAL PROPERTY OF AMPHENOL PCD INC., BEVERLY, MA		APPD <i>[Signature]</i>	CODE: 58982	SCALE: 4:1	SHEET 1 OF 1	