

## Solid-state, Plug-in Current Sensor

- Applicable to motor overcurrent protection and 3-phase AC current detection.
- Inverse-type, start-up lock type, and instantaneous type overcurrent sensors available.
- Instantaneous type under current sensor available.
- Plug-in design simplifies installation, removal, and wiring.
- DIN sized (48 mm x 96 mm)



The SAO cannot be used in circuits with waveform distortion, inverter circuits, or with capacitor loads.



## Model Number Structure

### Model Number Legend

SAO-□□□□

1 2 3 4 5

#### 1. Basic model name

SAO: Current Sensor

#### 2. Operating time characteristics

R: Inverse type: inverse time both at starting and during operation

Q: Instantaneous type with start-up lock

S: Regular instantaneous type

#### 3. Detection function

U: Undercurrent detection

None: Overcurrent detection

#### 4. Control voltage

1: 100/110/120 VAC

2: 200/220/240 VAC

5: 24 VDC

6: 48 VDC

7: 100/110 VDC

#### 5. Product history

N: New version

## Ordering Information

| Terminal/<br>mounting          | Control voltage | Overcurrent detection |                    |                   | Under current<br>detection |
|--------------------------------|-----------------|-----------------------|--------------------|-------------------|----------------------------|
|                                |                 | Inverse type          | Instantaneous type |                   | Instantaneous type         |
|                                |                 |                       | W/start-up lock*   | W/o start-up lock |                            |
| Plug-in/DIN<br>rail via socket | 100/110/120 VAC | SAO-R1N               | SAO-Q1N            | SAO-S1N           | SAO-SU1N                   |
|                                | 200/220/240 VAC | SAO-R2N               | SAO-Q2N            | SAO-S2N           | SAO-SU2N                   |
|                                | 24 VDC          | SAO-R5N               | SAO-Q5N            | SAO-S5N           | SAO-SU5N                   |
|                                | 48 VDC          | SAO-R6N               | SAO-Q6N            | SAO-S6N           | SAO-SU6N                   |
|                                | 100/110 VDC     | SAO-R7N               | SAO-Q7N            | SAO-S7N           | SAO-SU7N                   |

\* Fixed time-limit at start-up, instantaneous thereafter.

## Accessories (Order Separately)

### Current Converters

| Model  | Current range |
|--------|---------------|
| SET-3A | 1 to 80 A     |
| SET-3B | 64 to 160 A   |

| DIN rail socket |
|-----------------|
| 8PFA1           |

### Socket

| Type                    | Model |
|-------------------------|-------|
| Front connecting socket | 8PFA1 |

# Specifications

## ■ Ratings

|                      |                                                                                                                                                                                                         |
|----------------------|---------------------------------------------------------------------------------------------------------------------------------------------------------------------------------------------------------|
| Motor circuit        | Voltage: 500 VAC max. 3-phase (primary voltage at SET Current Converter)<br>Current: 1 to 80 A or 64 to 160 A 3-phase (primary current at SET Current Converter)                                        |
| Power supply circuit | Voltage: 100/110/120 VAC, 200/220/240 VAC, 24, 48 VDC, or 100/110 VDC (leveled DC)<br>Voltage fluctuation: $+10/-15\%$ max. of the rated voltage<br>Frequency: 50/60 Hz $\pm 5\%$                       |
| Current SV range     | See table of <i>Current Converter</i> .                                                                                                                                                                 |
| Output contact       | Configuration: SPDT<br>Capacity: 3 A ( $\cos\phi = 1.0$ )/2 A ( $\cos\phi = 0.4$ ) at 240 VAC; 3 A (resistive load)/2 A (L/R = 7 ms) at 24 VDC;<br>0.2 A (resistive load)/0.1 A (L/R = 7 ms) at 110 VDC |
| Power consumption    | 100/110/120 VAC: approx. 3.5 VA; 200/220/240 VAC: approx. 7 VA;<br>24 VDC: approx. 0.3 W; 48 VDC: approx. 0.5 W; 100/110 VDC: approx. 1.2 W                                                             |
| Case color           | Munsell 5Y7/1                                                                                                                                                                                           |

## ■ Characteristics

| Item                                          | SAO-R□N                                                                                                                                                                                                           | SAO-Q□N                                                                                                                                                              | SAO-S□N                                                             | SAO-SU□N                                            |
|-----------------------------------------------|-------------------------------------------------------------------------------------------------------------------------------------------------------------------------------------------------------------------|----------------------------------------------------------------------------------------------------------------------------------------------------------------------|---------------------------------------------------------------------|-----------------------------------------------------|
| Operating current                             | 100% of the current SV (current when the relay is OFF for the SAO-SU□N)                                                                                                                                           |                                                                                                                                                                      |                                                                     |                                                     |
| Operating time characteristics                | Inverse type                                                                                                                                                                                                      | Fixed time at start-up and instantaneous thereafter                                                                                                                  | Instantaneous type                                                  |                                                     |
| Operating time                                | For a 600% overcurrent:<br>Time scale x 1: 1 to 10 s<br>Time scale x 4: 4 to 40 s<br>For a 200% overcurrent:<br>$2.8 \times t \pm 30\%$ , where t is the operating time at 600% overcurrent.<br>(time SV at max.) | In start-up lock mode with a 600% overcurrent:<br>Time scale x 1: 1 to 10 s<br>Time scale x 4: 4 to 40 s<br>In instantaneous mode:<br>0.3 s max. at 120% overcurrent | 0.3 s max. with an overcurrent of 120% the current SV               | 0.3 s max. when 120% the current SV drops below 80% |
| Initial current in start-up mode              | ---                                                                                                                                                                                                               | Approx. 30% of the current SV                                                                                                                                        | ---                                                                 | ---                                                 |
| Inertial characteristics                      | Will not operate for 80% of operating time for a 600% overcurrent. (at min. current and max. time SV)                                                                                                             | ---                                                                                                                                                                  |                                                                     |                                                     |
| Reset value                                   | More than 95% of the operating current                                                                                                                                                                            |                                                                                                                                                                      |                                                                     | Less than 105% of the operating current             |
| Operating current accuracy                    | $\pm 10\%$ of the current SV                                                                                                                                                                                      |                                                                                                                                                                      |                                                                     |                                                     |
| Operating time accuracy                       | $+10/-5\%$ of maximum time SV (at a time SV: 1)<br>$\pm 10\%$ of maximum time SV (at a time SV: 2 to 10)                                                                                                          |                                                                                                                                                                      | 0.3 s max.                                                          |                                                     |
| Influence of temperature on operating current | $\pm 5\%$ for 0 to 40°C; $\pm 10\%$ for -10 to 50°C                                                                                                                                                               |                                                                                                                                                                      |                                                                     |                                                     |
| Influence of temperature on operating time    | $\pm 10\%$ for 0 to 40°C; $\pm 20\%$ for -10 to 50°C (start-up mode)                                                                                                                                              |                                                                                                                                                                      | 0.3 s max. for -10 to 50°C                                          |                                                     |
| Influence of frequency on operating current   | $\pm 3\%$ for a frequency fluctuation of $\pm 5\%$                                                                                                                                                                |                                                                                                                                                                      |                                                                     |                                                     |
| Influence of frequency on operating time      | $\pm 5\%$ for a frequency fluctuation of $\pm 5\%$ (start-up mode)                                                                                                                                                |                                                                                                                                                                      | 0.3 s max. for a frequency fluctuation of $\pm 5\%$                 |                                                     |
| Influence of voltage on operating current     | $\pm 3\%$ for a voltage fluctuation of $+10/-15\%$                                                                                                                                                                |                                                                                                                                                                      |                                                                     |                                                     |
| Influence of voltage on operating time        | $\pm 5\%$ for a voltage fluctuation of $+10/-15\%$ (start-up mode)                                                                                                                                                |                                                                                                                                                                      | 0.3 s max. for a voltage fluctuation of $+10/-15\%$ (start-up mode) |                                                     |

## Characteristics (continued)

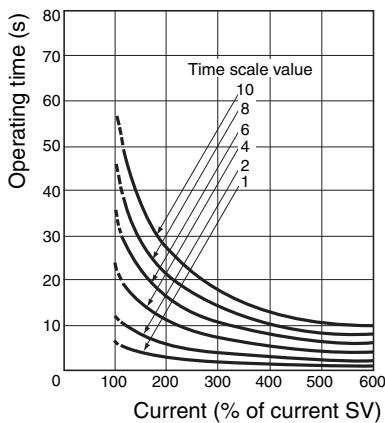
|                                           |                                                                                                                                                                                                                                                                                                                  |
|-------------------------------------------|------------------------------------------------------------------------------------------------------------------------------------------------------------------------------------------------------------------------------------------------------------------------------------------------------------------|
| <b>Insulation resistance</b>              | 10 MΩ min. between electric circuits and the mounting panel<br>5 MΩ min. between contact circuits, or between contacts of same pole                                                                                                                                                                              |
| <b>Withstand voltage</b>                  | 2,000 VAC for 1 min between electric circuits and the mounting panel<br>2,000 VAC for 1 min between contact circuits and other circuits<br>1,000 VAC for 1 min between contacts of same pole                                                                                                                     |
| <b>Lighting impulse withstand voltage</b> | 6,000 V max. between electric circuits and the mounting panel<br>4,500 V max. between contact circuits and other circuits<br>4,500 V max. between each control power circuits<br>Waveform: 1.2 x 50 μs 3 times for each poles                                                                                    |
| <b>Overload capacity</b>                  | Motor circuit: 20 times the current SV for 2 s, applied twice with a 1 min interval<br>Continuous current: 125% of the maximum current SV for each current range.<br>Power supply: AC: 1.15 times the rated power supply voltage for 3 hrs, once<br>DC: 1.3 times the rated power supply voltage for 3 hrs, once |
| <b>Vibration resistance</b>               | Malfunction: 10 to 55 Hz, 0.3-mm double amplitude each in 3 directions for 10 min<br>Destruction: 10 to 25 Hz, 2-mm double amplitude each in 3 directions for 2 hrs                                                                                                                                              |
| <b>Shock resistance</b>                   | Malfunction: 98 m/s <sup>2</sup> (approx. 10G) each in 3 directions<br>Destruction: 294 m/s <sup>2</sup> (approx. 30G) each in 3 directions                                                                                                                                                                      |
| <b>Test button operation</b>              | Operated quickly (without lighting the LED)                                                                                                                                                                                                                                                                      |
| <b>Ambient temperature</b>                | Operating: -10 to 60°C (with no icing)<br>Storage: -25 to 65°C (with no icing)                                                                                                                                                                                                                                   |
| <b>Ambient humidity</b>                   | Operating: 35% to 85%                                                                                                                                                                                                                                                                                            |
| <b>Altitude</b>                           | 2,000 m max.                                                                                                                                                                                                                                                                                                     |
| <b>Weight</b>                             | Approx. 170 g                                                                                                                                                                                                                                                                                                    |

## Engineering Data

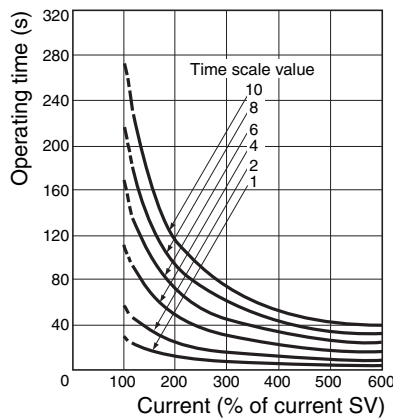
### Operating Time Characteristics

#### SAO-R

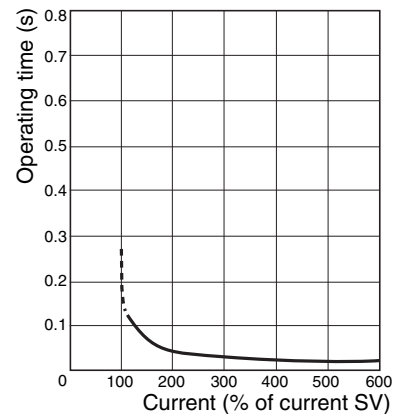
Time Changeover Setting: 1



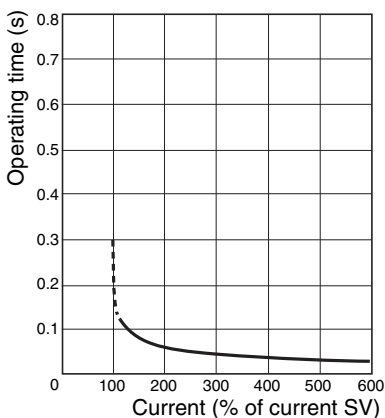
Time Changeover Setting: 4



#### SAO-Q

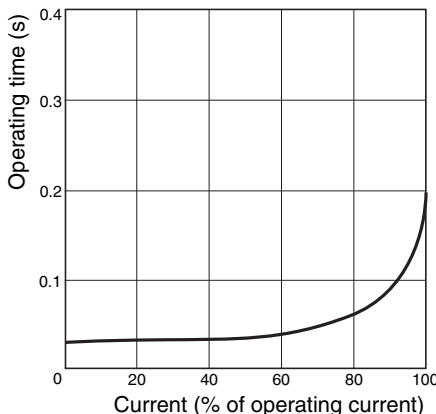


#### SAO-S

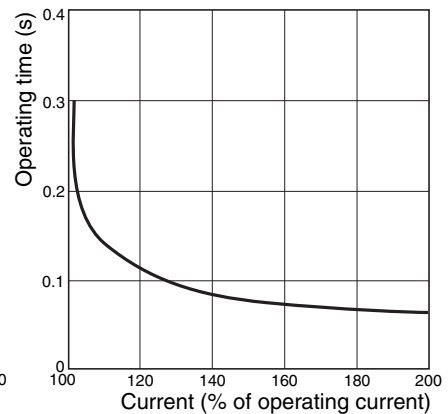


#### SAO-SU

Operating Time Characteristics



Reset Time Characteristics

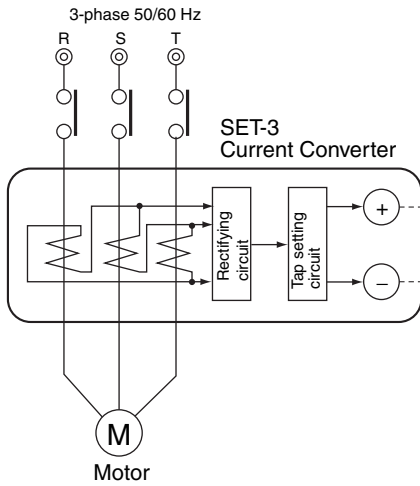


# Installation

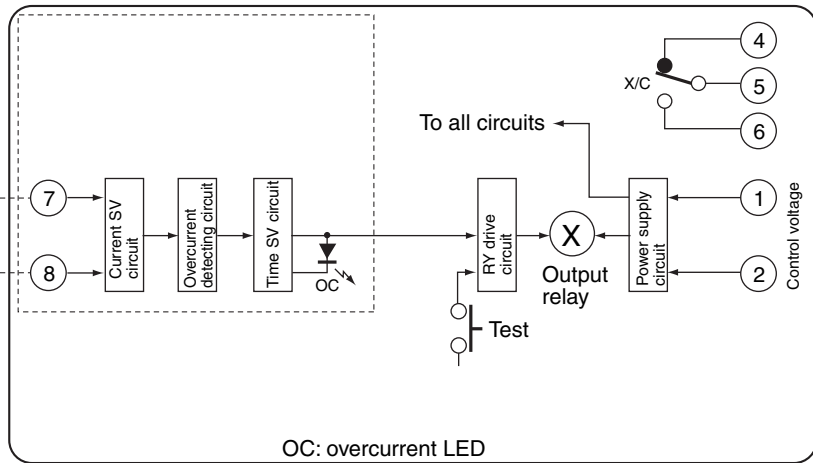
## ■ Connection

### Internal Circuit

SAO-R

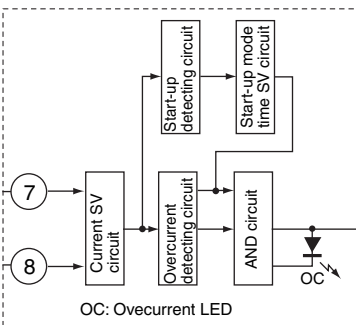


SAO-R Current Sensor

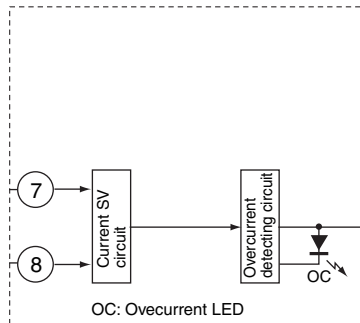


Note: There is no polarity specification when using a DC power supply.

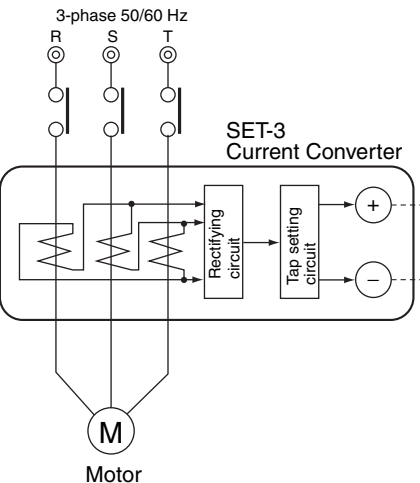
SAO-Q Current Sensor



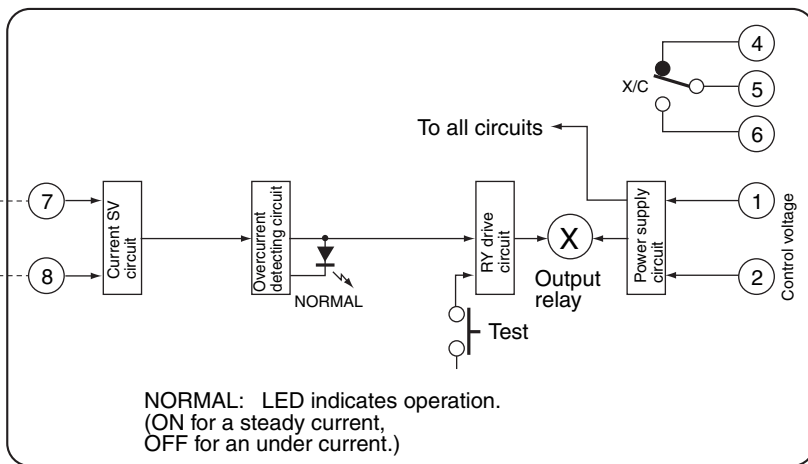
SAO-S Current Sensor



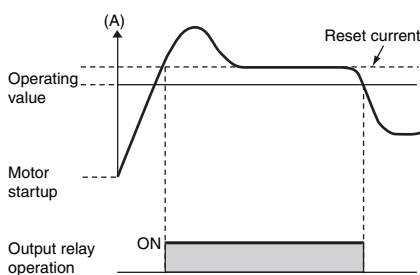
SAO-SU



SAO-SU Current Sensor



NORMAL: LED indicates operation.  
(ON for a steady current, OFF for an under current.)

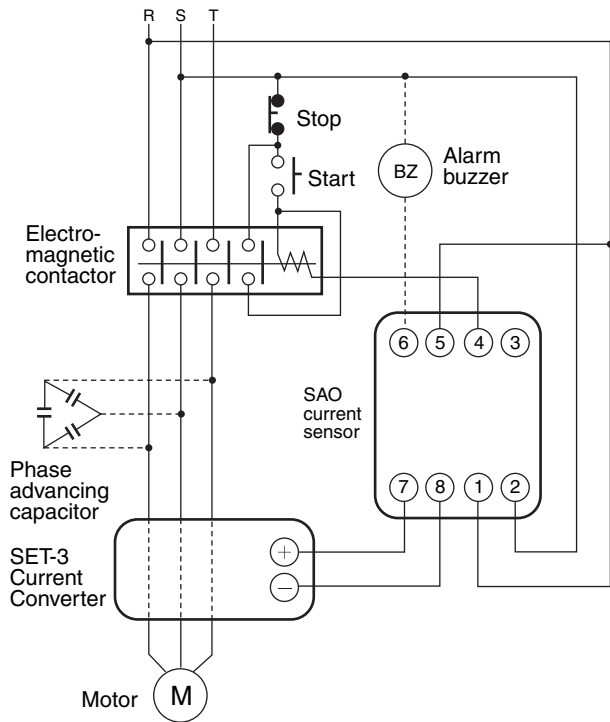


### Explanation of SAO-SU Contacts

1. The contact is NC (between terminals 4 and 5) when the motor is not started.
2. The contact is NO (between terminals 5 and 6) when the startup pushbutton is pressed and a current larger than the reset current flows.
3. The contact is NC (between terminals 4 and 5) when the motor current is less than the operating value (i.e., undercurrent).

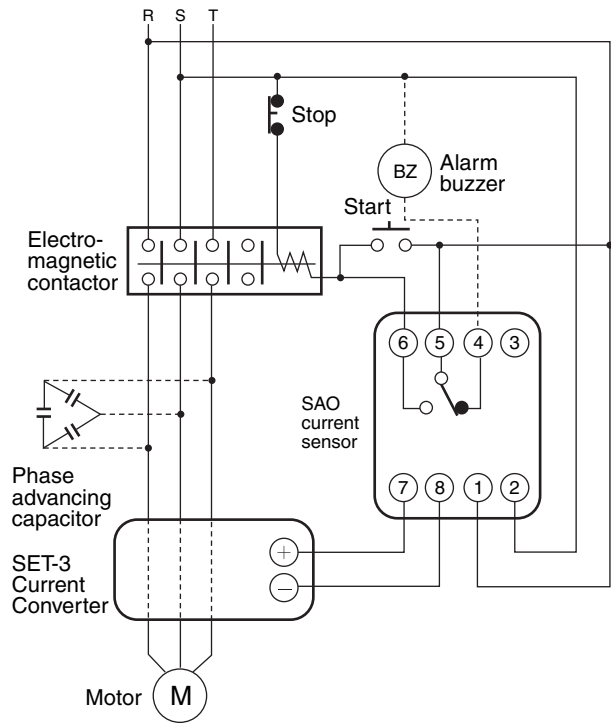
## ■ Connection Examples

**Overcurrent Detection Circuit**  
SAO-R/SAO-Q/SAO-S



**Note:** Provide the control power supply for the SAO Current Sensor from the contactor's power supply side. If the control power supply is turned ON and the motor is started at the same time, operation inconsistent with the time SV may occur.

**Undercurrent Detection Circuit**  
SAO-SU



**Note:** To prevent the buzzer sounding when power is turned ON, install a timer so that the buzzer sounds only when the timer's contacts are closed.

# Operation

## Settings

### Current Sensor Switch Settings

#### Current Scale Multiplying Factor Decal

Determine the current scale multiplying factor corresponding to the current SV range obtained from Table 1 and paste the current scale multiplying factor decal to the current sensor. For example, when the current setting range is 2 to 5 A, the decal no. is 0.5.

#### Setting Operating Current

Set the current setting knob to the required current value. The setting value is indicated by the product of the scale value and the multiplying factor as shown in the following table. The required trip current can be obtained directly by means of the current-setting knob.

| Decal no. | Current scale value (A) |      |     |      |     |      |     |
|-----------|-------------------------|------|-----|------|-----|------|-----|
|           | 4                       | 5    | 6   | 7    | 8   | 9    | 10  |
| 0.25      | 1                       | 1.25 | 1.5 | 1.75 | 2   | 2.25 | 2.5 |
| 0.5       | 2                       | 2.5  | 3   | 3.5  | 4   | 4.5  | 5   |
| 1         | 4                       | 5    | 6   | 7    | 8   | 9    | 10  |
| 2         | 8                       | 10   | 12  | 14   | 16  | 18   | 20  |
| 4         | 16                      | 20   | 24  | 28   | 32  | 36   | 40  |
| 8         | 32                      | 40   | 48  | 56   | 64  | 72   | 80  |
| 16        | 64                      | 80   | 96  | 112  | 128 | 144  | 160 |

#### LED Indicator

The LED indicates that an overcurrent has occurred and the relay is operating.

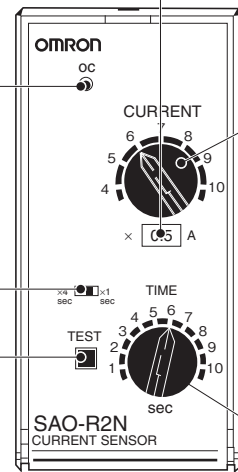
#### Setting Operating Time

Set the time setting knob to the required time. The operating time is equal to the time scale value times the setting on the time changeover switch. For example, if the time scale value is 6, and the time changeover switch is set to 4, the operating time is 24 s. For the SAO-R, this is the operating time in the event of a 600% overcurrent. For the SAO-Q, this is the operating time in start-up mode. There is no operating time SV for the SAO-S.

#### Test Button

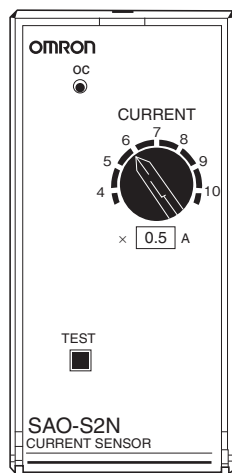
Pressing the test button momentarily operates the output relay. The LED indicator, however, does not light during this operation.

SAO-R/Q

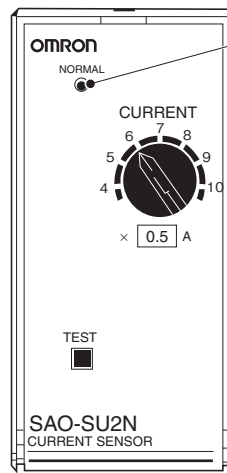


Time Setting Knob

SAO-S



SAO-SU



#### LED Indicator

The NORMAL indicator is lit for normal current; not lit for undercurrent.

# Operating and Setting Procedures

## SAO-R, -Q, -S

Make the settings for the SAO Current Sensor and the SET-3□ Current Converter according to the current of the load to be used.

### Steady Current

| Rated current (current setting range) (A) | Current scale multiplying factor label number | Current converter            |             |        |
|-------------------------------------------|-----------------------------------------------|------------------------------|-------------|--------|
|                                           |                                               | Number of conductor passings | Setting tap | Model  |
| 1 to 2.5                                  | 0.25                                          | 8                            | 20          | SET-3A |
| 2 to 5                                    | 0.5                                           | 4                            | 20          |        |
| 4 to 10                                   | 1                                             | 2                            | 20          |        |
| 8 to 20                                   | 2                                             | 1                            | 20          |        |
| 16 to 40                                  | 4                                             | 1                            | 40          |        |
| 32 to 80                                  | 8                                             | 1                            | 80          |        |
| 64 to 160                                 | 16                                            | 1                            | Fixed       | SET-3B |

**Note:** The current setting range is determined by the number of times the conductors to the SET-3□ are passed through and by the setting tap of the SET-3□. The current scale values are always 4 to 10 A. Therefore, attach the included current scale multiplying factor label to the SAO that matches the current range.

## Determining Current Sensor Settings

### 1. Determining the Current Scale Multiplying Factor

Determine a current scale multiplying factor that matches the steady current obtained from the table, and attach that decal to the Current Sensor. For example, when the current setting range is 2 to 5 A, the label number is 0.5.

### 2. Setting the Operating Current

Determine the operating current setting from the required steady current and the label number (i.e., multiplying factor) and make the setting using the current setting knob. The following table shows the relation between scale values and actual operating current values.

| Setting Factor | 4  | 5    | 6   | 7    | 8   | 9    | 10    |
|----------------|----|------|-----|------|-----|------|-------|
| × 0.25         | 1  | 1.25 | 1.5 | 1.75 | 2   | 2.25 | 2.5   |
| × 0.5          | 2  | 2.5  | 3   | 3.5  | 4   | 4.5  | 5     |
| × 1            | 4  | 5    | 6   | 7    | 8   | 9    | 10    |
| × 2            | 8  | 10   | 12  | 14   | 16  | 18   | 20    |
| × 4            | 16 | 20   | 24  | 28   | 32  | 36   | 40    |
| × 8            | 32 | 40   | 48  | 56   | 64  | 72   | 80    |
| × 16           | 64 | 80   | 96  | 112  | 128 | 144  | 160.5 |

The figures are steady current values. (Unit: A)

### 3. LED Operation Indicator

The indicator is continuously lit when the Sensor operates due to overload.

**Note**  
After detection, the operation indicator automatically turns OFF when there is no longer an overload.

### 4. Setting the Operating Time

- Set the time setting knob to the required time. The operating time is equal to the scale value times scale multiplying factor.
- The time scale multiplying factor is selected with the time scale multiplying factor switch. For the SAO-R, this is the operating time in the event of a 600% overcurrent. For the SAO-Q, this is the start-up lock time. There is no operating time setting for the SAO-S.

| Scale multiplying factor | Time scale value |      |
|--------------------------|------------------|------|
|                          | × 1              | × 4  |
| 1                        | 1 s              | 4 s  |
| 2                        | 2 s              | 8 s  |
| 3                        | 3 s              | 12 s |
| 4                        | 4 s              | 16 s |
| 5                        | 5 s              | 20 s |
| 6                        | 6 s              | 24 s |
| 7                        | 7 s              | 28 s |
| 8                        | 8 s              | 32 s |
| 9                        | 9 s              | 36 s |
| 10                       | 10 s             | 40 s |

The start-up lock time is a function to lock the output operation to prevent faulty operation due to unstable inputs during startup. Even when reaching the alarm output level for input status during startup\*, output operation will not be performed until the set time elapses.

(\* Startup means when the power supply to the Sensor is turned on.)

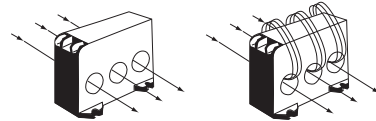
### 5. Test Button

Pressing the button momentarily operates the output relay. The LED indicator, however, does not light during this operation.

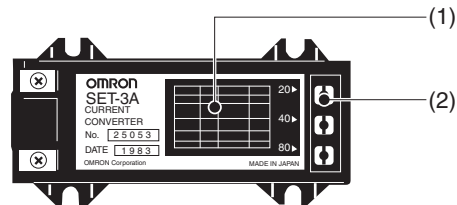
## Determining Current Converter Settings

### 1. Determining the Number of Passes for Primary Conductors

- Determine the number of primary conductor passes and the setting tap according to the table. For example, for a current setting range of 2 to 5 A, the number of passes is four and the setting tap is 20.
- Pass the three wires through the holes from the same direction. It doesn't matter which wires go through which holes.



One conductor pass (The conductors pass through the holes once.)  
Four conductor passes (The conductors pass through the holes four times.)



### 2. Setting the Tap

Use a screwdriver to screw the included setting screw into the required tap hole. After the setting has been made, be sure to mount the cover as it was before. The SET-3B does not have tap settings.

**SAO-SU**

Make the settings for the SAO-SU Current Sensor and the SET-3□ Current Converter according to the current of the load to be used.

**Steady Current**

| Rated current (current setting range) (A) | Current scale multiplying factor label number | Current converter          |             |        |
|-------------------------------------------|-----------------------------------------------|----------------------------|-------------|--------|
|                                           |                                               | Number of conductor passes | Setting tap | Model  |
| 1 to 2.5                                  | 0.25                                          | 8                          | 20          | SET-3A |
| 2 to 5                                    | 0.5                                           | 4                          | 20          |        |
| 4 to 10                                   | 1                                             | 2                          | 20          |        |
| 8 to 20                                   | 2                                             | 1                          | 20          |        |
| 16 to 40                                  | 4                                             | 1                          | 40          |        |
| 32 to 80                                  | 8                                             | 1                          | 80          |        |
| 64 to 160                                 | 16                                            | 1                          | Fixed       | SET-3B |

**Note:** The current setting range is determined by the number of times the conductors to the SET-3□ are passed through and by the setting tap of the SET-3□. The current scale values are always 4 to 10 A. Therefore, attach the included current scale multiplying factor decal to the SAO that matches the current range.

**Determining Current Sensor Settings**

**1. Determining the Current Scale Multiplying Factor**

Determine a current scale multiplying factor that matches the steady current obtained from the table, and attach that decal to the Current Sensor. For example, when the current setting range is 2 to 5 A, the label number is 0.5.

**2. Setting the Operating Current**

Determine the operating current setting from the required steady current and the label number (i.e., multiplying factor), and make the setting using the current setting knob. The following table shows the relation between scale values and actual operating current values.

| Setting Factor | 4  | 5    | 6   | 7    | 8   | 9    | 10  |
|----------------|----|------|-----|------|-----|------|-----|
| × 0.25         | 1  | 1.25 | 1.5 | 1.75 | 2   | 2.25 | 2.5 |
| × 0.5          | 2  | 2.5  | 3   | 3.5  | 4   | 4.5  | 5   |
| × 1            | 4  | 5    | 6   | 7    | 8   | 9    | 10  |
| × 2            | 8  | 10   | 12  | 14   | 16  | 18   | 20  |
| × 4            | 16 | 20   | 24  | 28   | 32  | 36   | 40  |
| × 8            | 32 | 40   | 48  | 56   | 64  | 72   | 80  |
| × 16           | 64 | 80   | 96  | 112  | 128 | 144  | 160 |

These figures indicate steady current values. (Unit: A)

**3. LED Operation Indicator**

The indicator is continuously lit for normal current and not lit when undercurrent is detected.

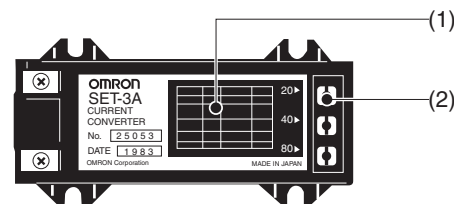
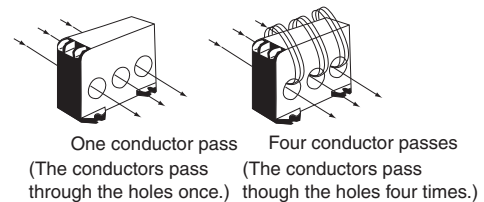
**4. Test Button**

Pressing the test button momentarily operates the output relay.

**Determining Current Converter Settings**

**1. Determining the Number of Passes for Primary Conductors**

- Determine the number of primary conductor passes and the setting tap according to the table. For example, for a current setting range of 2 to 5 A, the number of passes is four and the setting tap is 20.
- Pass the wires through the holes from the same direction. It doesn't matter which wires go through which holes.



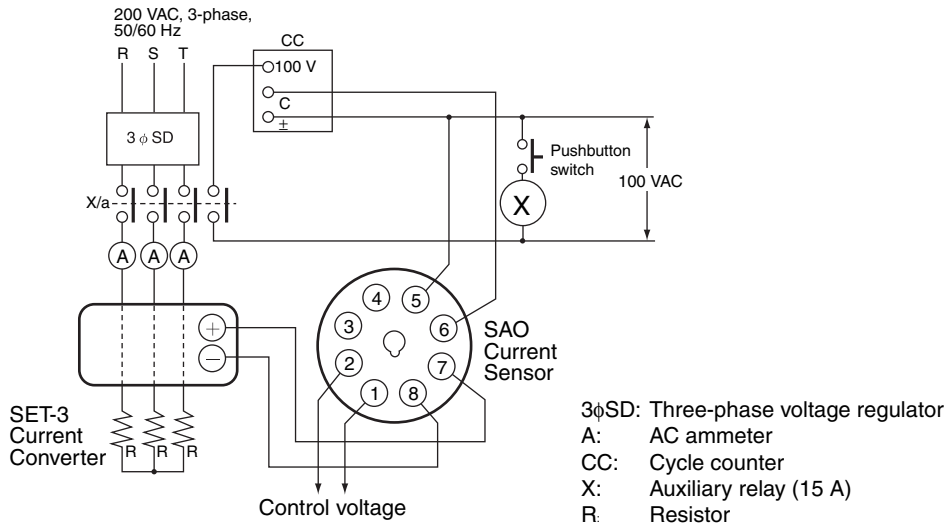
**2. Setting the Tap**

Use a screwdriver to screw the included setting screw into the required tap hole. After the setting has been made, be sure to mount the cover as it was before. The SET-3B does not have tap settings.



## ■ Checking Operation

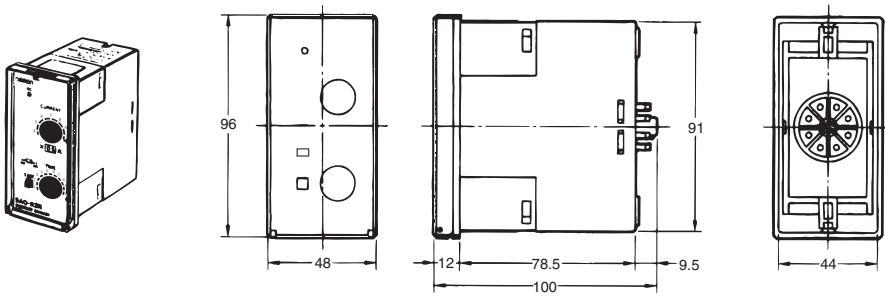
The following circuit can be used to check SAO-□ and SET-3□ characteristics.



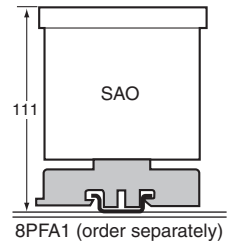
# Dimensions

Note: All units are in millimeters unless otherwise indicated.

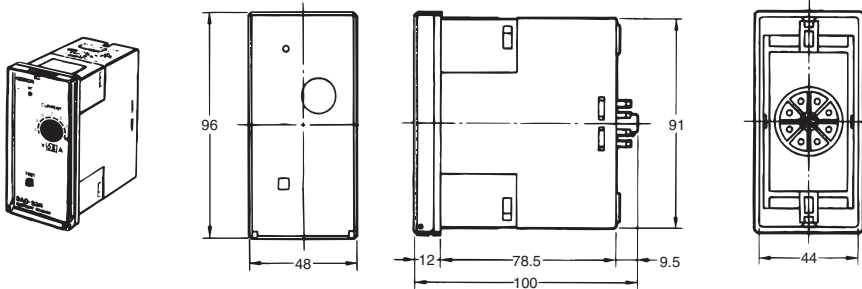
## SAO-R/SAO-Q



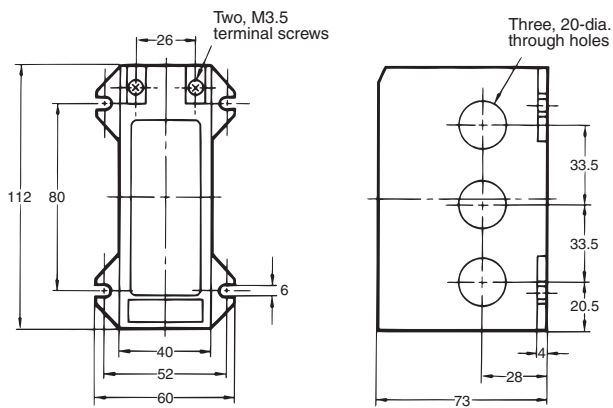
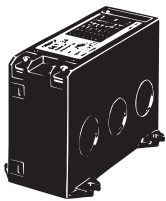
The Height of DIN Rail Mounting



## SAO-S/SAO-SU

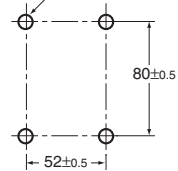


## Current Converter SET-3A, SET-3B



Mounting Holes

Four, 6-dia. mounting holes or four, M5 mounting screw holes



# Precautions

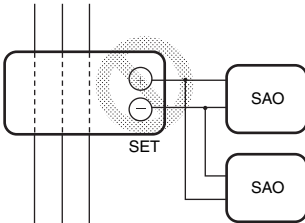
## On Operation

Use a commercial frequency power supply only for the control power supply.

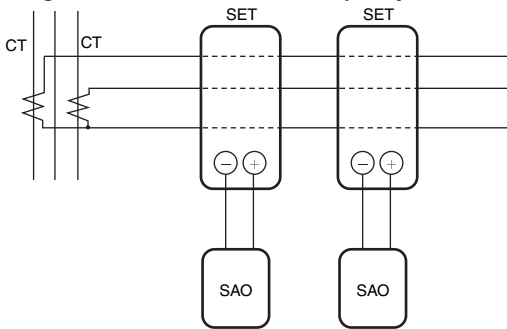
The SET-3□ Current Converter is designed for use with a single SAO Current Sensor; do not connect two units to a single SET-3□ as in figure 1 below (even if a diode is included in the circuit).

If the current transformer has sufficient capacity, the circuit in figure 2 is acceptable.

**Figure 1: Never Use this Setup**



**Figure 2: OK with Sufficient Capacity**



## Mounting

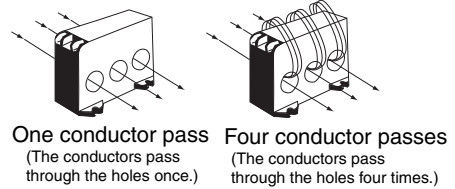
When installing with an 8PFA1 connecting socket, first fasten the socket firmly to the panel with screws, then plug in the relay and secure it with a hook. Leave at least 30 mm of space between the relays for the hooks.

Back-connecting sockets can not be used.

## Connections

Make sure that the polarity is correct when connecting the Current Converter and Current Sensor. It is not necessary to consider polarity when using a DC control power supply.

Determine the necessary number of conductor runs from the table *Selecting the Current Converter* in the *Operation* section. Pass the wires through the holes from the same direction. It doesn't matter which wires go through which holes.



## Testing Method

Verify operation by turning on the control voltage and pressing the test button.

It is possible to check whether SAO-□ and SET-3□ characteristics are correct or not with the test circuit shown on page 9.

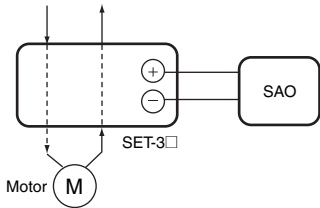
**Q&A**

**Q** What is the procedure for using the SAO with a single phase?

**A** The following describes the single-phase operating procedure for the SAO. Models for single-phase circuits, however, are also available. Refer to SAO-□S.

**Connection Procedure**

Run the primary wires through any two of the three holes on the SET-3 the number of times specified for the SET-3□.



**Setting Procedure**

The operating value will change when single phase is used as in the figure above. Therefore, the setting must be changed.

Make the setting to approximately 0.77 times the current at which operation is desired. For example, for operation at 10 A, set the value to the following:  
 $10 \times 0.77 = 7.7 \text{ A}$

In any case, the SAO is adjusted for three-phase use. As a precautionary measure, therefore, perform confirmation testing using the actual load.

**Q** Can two SAO Current Sensors be used connected to one SET-3□? If not, can a diode or other device be inserted?

**A** It is not possible to connect two SAO Current Sensors to one SET-3□. The SET-3 output is designed so that the output voltage will match when one SAO (SE) is used. Operation is not possible even with a diode inserted. Operation as shown in figure 2, however, is possible if the capacity of the CT is sufficient.

Figure 1

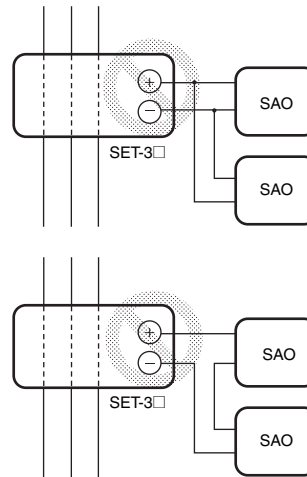
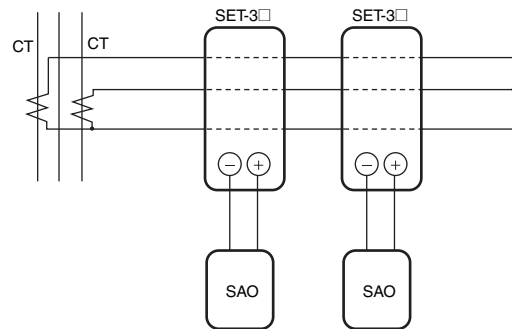


Figure 2



ALL DIMENSIONS SHOWN ARE IN MILLIMETERS.  
 To convert millimeters into inches, multiply by 0.03937. To convert grams into ounces, multiply by 0.03527.

In the interest of product improvement, specifications are subject to change without notice.

## Terms and Conditions Agreement

### Read and understand this catalog.

Please read and understand this catalog before purchasing the products. Please consult your OMRON representative if you have any questions or comments.

### Warranties.

(a) Exclusive Warranty. Omron's exclusive warranty is that the Products will be free from defects in materials and workmanship for a period of twelve months from the date of sale by Omron (or such other period expressed in writing by Omron). Omron disclaims all other warranties, express or implied.

(b) Limitations. OMRON MAKES NO WARRANTY OR REPRESENTATION, EXPRESS OR IMPLIED, ABOUT NON-INFRINGEMENT, MERCHANTABILITY OR FITNESS FOR A PARTICULAR PURPOSE OF THE PRODUCTS. BUYER ACKNOWLEDGES THAT IT ALONE HAS DETERMINED THAT THE PRODUCTS WILL SUITABLY MEET THE REQUIREMENTS OF THEIR INTENDED USE.

Omron further disclaims all warranties and responsibility of any type for claims or expenses based on infringement by the Products or otherwise of any intellectual property right. (c) Buyer Remedy. Omron's sole obligation hereunder shall be, at Omron's election, to (i) replace (in the form originally shipped with Buyer responsible for labor charges for removal or replacement thereof) the non-complying Product, (ii) repair the non-complying Product, or (iii) repay or credit Buyer an amount equal to the purchase price of the non-complying Product; provided that in no event shall Omron be responsible for warranty, repair, indemnity or any other claims or expenses regarding the Products unless Omron's analysis confirms that the Products were properly handled, stored, installed and maintained and not subject to contamination, abuse, misuse or inappropriate modification. Return of any Products by Buyer must be approved in writing by Omron before shipment. Omron Companies shall not be liable for the suitability or unsuitability or the results from the use of Products in combination with any electrical or electronic components, circuits, system assemblies or any other materials or substances or environments. Any advice, recommendations or information given orally or in writing, are not to be construed as an amendment or addition to the above warranty.

See <http://www.omron.com/global/> or contact your Omron representative for published information.

### Limitation on Liability: Etc.

OMRON COMPANIES SHALL NOT BE LIABLE FOR SPECIAL, INDIRECT, INCIDENTAL, OR CONSEQUENTIAL DAMAGES, LOSS OF PROFITS OR PRODUCTION OR COMMERCIAL LOSS IN ANY WAY CONNECTED WITH THE PRODUCTS, WHETHER SUCH CLAIM IS BASED IN CONTRACT, WARRANTY, NEGLIGENCE OR STRICT LIABILITY.

Further, in no event shall liability of Omron Companies exceed the individual price of the Product on which liability is asserted.

### Suitability of Use.

Omron Companies shall not be responsible for conformity with any standards, codes or regulations which apply to the combination of the Product in the Buyer's application or use of the Product. At Buyer's request, Omron will provide applicable third party certification documents identifying ratings and limitations of use which apply to the Product. This information by itself is not sufficient for a complete determination of the suitability of the Product in combination with the end product, machine, system, or other application or use. Buyer shall be solely responsible for determining appropriateness of the particular Product with respect to Buyer's application, product or system. Buyer shall take application responsibility in all cases.

NEVER USE THE PRODUCT FOR AN APPLICATION INVOLVING SERIOUS RISK TO LIFE OR PROPERTY OR IN LARGE QUANTITIES WITHOUT ENSURING THAT THE SYSTEM AS A WHOLE HAS BEEN DESIGNED TO ADDRESS THE RISKS, AND THAT THE OMRON PRODUCT(S) IS PROPERLY RATED AND INSTALLED FOR THE INTENDED USE WITHIN THE OVERALL EQUIPMENT OR SYSTEM.

### Programmable Products.

Omron Companies shall not be responsible for the user's programming of a programmable Product, or any consequence thereof.

### Performance Data.

Data presented in Omron Company websites, catalogs and other materials is provided as a guide for the user in determining suitability and does not constitute a warranty. It may represent the result of Omron's test conditions, and the user must correlate it to actual application requirements. Actual performance is subject to the Omron's Warranty and Limitations of Liability.

### Change in Specifications.

Product specifications and accessories may be changed at any time based on improvements and other reasons. It is our practice to change part numbers when published ratings or features are changed, or when significant construction changes are made. However, some specifications of the Product may be changed without any notice. When in doubt, special part numbers may be assigned to fix or establish key specifications for your application. Please consult with your Omron's representative at any time to confirm actual specifications of purchased Product.

### Errors and Omissions.

Information presented by Omron Companies has been checked and is believed to be accurate; however, no responsibility is assumed for clerical, typographical or proofreading errors or omissions.

2020.5

In the interest of product improvement, specifications are subject to change without notice.

**OMRON Corporation**  
Industrial Automation Company

<http://www.ia.omron.com/>

(c)Copyright OMRON Corporation 2020 All Right Reserved.