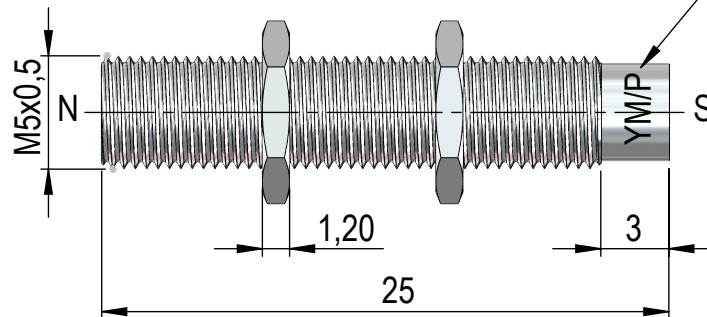
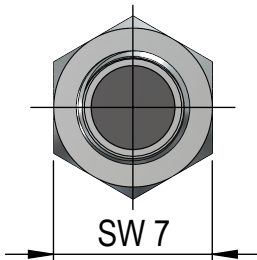


Marking
acc. to EN60062/Factory code



		Description		Article No.	Material
a	Housing	MK11 Threaded bush		4003003071	stainless steel 1.4305
	Potting compound	Wevopur 552FL		4100000182	Polyurethane, black
	Magnet	Round magnet		4001311057	NdFeB N35H
b		Min.	Typ.	Max.	Unit
	Magnetic moment (MS150)	15,2	18		$\mu\text{Vs}^{\circ}\text{cm}$
	Operating temperature			120	$^{\circ}\text{C}$
Remarks		magnetization axial			
Protection class		N/A			
Mounting:		N/A			
max. Torque		2	Nm		

Application				Tolerance DIN ISO 2768-m	Surface	Scale: 2:1	Weight:
				created: 30.08.2016	wkovacs	Material:	Magnet M11/M5
				checked: 26.06.2018	dküchler		
				Sheet size: A4			
				dimensions in: mm			
	b	min. value, of magnetic moment added	30.08.2016	w.k.	StandexMeder Electronics GmbH Robert-Bosch-Str.4 78224 Singen Tel.:+49(0)7731/8399-0 Fax:+49(0)7731/8399-30 www.standexmeder.com		
	a	potting compound was Voltatex CE 12 FW-UL	30.08.2016	w.k.			
01		issued in swx, previous versions archived in Navision	30.08.2016	w.k.			
Rev.	state	change	date	name	Art.Nr./DrawingNr. 2500001105		
					Tool Nr.	<small>PROPRIETARY AND CONFIDENTIAL THE INFORMATION CONTAINED IN THIS DRAWING IS THE SOLE PROPERTY OF StandexMeder Electronics GmbH. ANY REPRODUCTION IN PART OR AS A WHOLE WITHOUT THE WRITTEN PERMISSION OF StandexMeder Electronics GmbH IS PROHIBITED.</small>	
					www.standexmeder.com		page 1 of 1