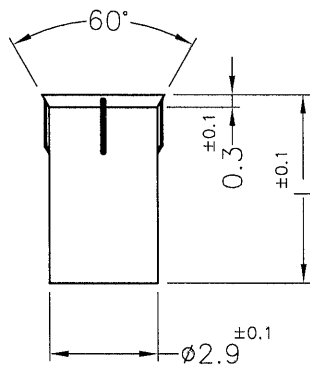
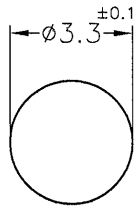



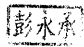
REVISIONS			
REV	DESCRIPTION	DATE	BY



MOUNTING HOLE: $\phi 3.07 \pm 0.05$

PART NO.	L
LEMB3-2.5V0-F	2.5
LEMB3-3V0-F	3.0
LEMB3-3.2V0-F	3.2
LEMB3-5V0-F	5.0
LEMB3-6V0-F	6.0
LEMB3-8V0-F	8.0
LEMB3-9.5V0-F	9.5
LEMB3-10V0-F	10.0
LEMB3-12.7V0-F	12.7

NOTE:MADE OF EQUIVALENT MATERIAL.
均可使用同等材質.

 <p>康揚企業股份有限公司 KANG YANG HARDWARE ENTERPRISE CO., LTD. 康揚塑膠(東莞)有限公司 KANG YANG PLASTIC(DONG GUAN) CO., LTD. 康哲電腦配件(吳江)有限公司 KANG CHE COMPUTER COMPONENTS(WUJIANG) CO., LTD.</p>				TITLE	SPEC. DWG.
				MATERIAL	DATE
				FINISH	DRAWN
PART NUMBER	DRAWING NUMBER	COLOR	CHECK		
SEE ABOVE	LEMB3-HV0-F	TRANSPARENT			
SIZE	SCALE	UNIT	REV		
A4	5:1	mm	H		
UNLESS OTHERWISE SPECIFIED TOLERANCE			APPROVED		
SEE ABOVE			