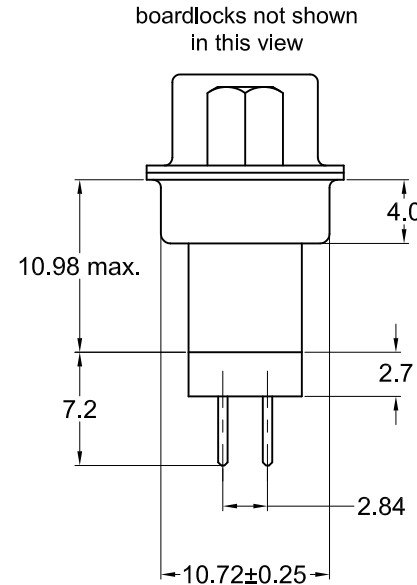
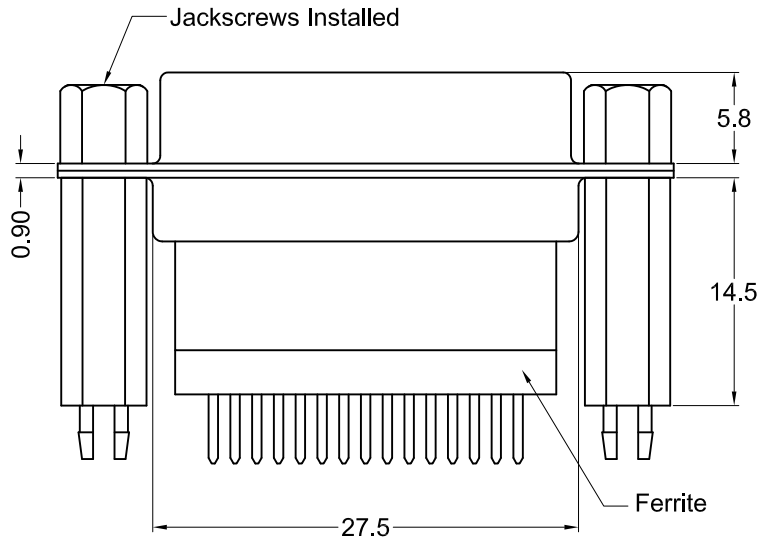
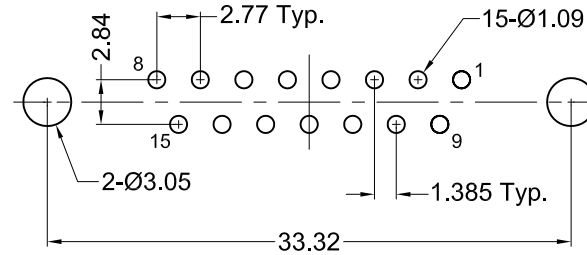


Recommended PCB Layout (Top View)



**Material and Finish**

Shell: Steel, Nickel Plated

Insulator: PBT with Glass-Fiber Reinforcement  
UL 94V-0 Rated  
Color-Black

Contact Material:  
Socket- Phosphor Bronze

Contact Plating Options:  
Standard: gold flash on mating end, tin on termination end, nickel underplate on entire contact  
15 Option: 15u" gold on mating end, tin on termination end, nickel underplate on entire contact

30 Option: 30u" gold on mating end, tin on termination end, nickel underplate on entire contact

**Electrical Specifications**

- Rated Current: 2A
- Rated Voltage: 30V RMS
- Dielectric Withstanding Voltage: 1000V (rms) AC for 1 minute
- Insulation Resistance: more than 1000 Megohm at 500V DC
- Contact Resistance: 13 milliohm max.
- Temperature Rating: -55°C to +105°C

**Ordering Information**

Part Number	Contact Area Plating Finish
KF88X-AD-15S-BRJ	Gold Flash (standard option)
KF88X-AD-15S-BRJ15	15u" Gold (15 option)
KF88X-AD-15S-BRJ30	30u" Gold (30 option)

**Ferrite Specifications**

Measured Value(OHM)	Test Frequency
20 MIN.	25 MHz.
50 MIN.	100 MHz.



Tolerances
X.X ± 0.25
X.XX ± 0.15
Unless Stated Otherwise

REV.	DATE	DESCRIPTION	REV. BY	CHK. BY	DRAWN BY	DATE
A1	02/03/11	New Drawing	S. Vien	H. MA	S. Vien	05/28/10
A2	12/31/17	ECO #17-035	J. Elbanna	C. Furumasa		

**KF88X-AD-15S-BRJ**

Vertical D-Sub, 15 Pin Female

Ferrite, Boardlocks, JS, RoHS Compliant

