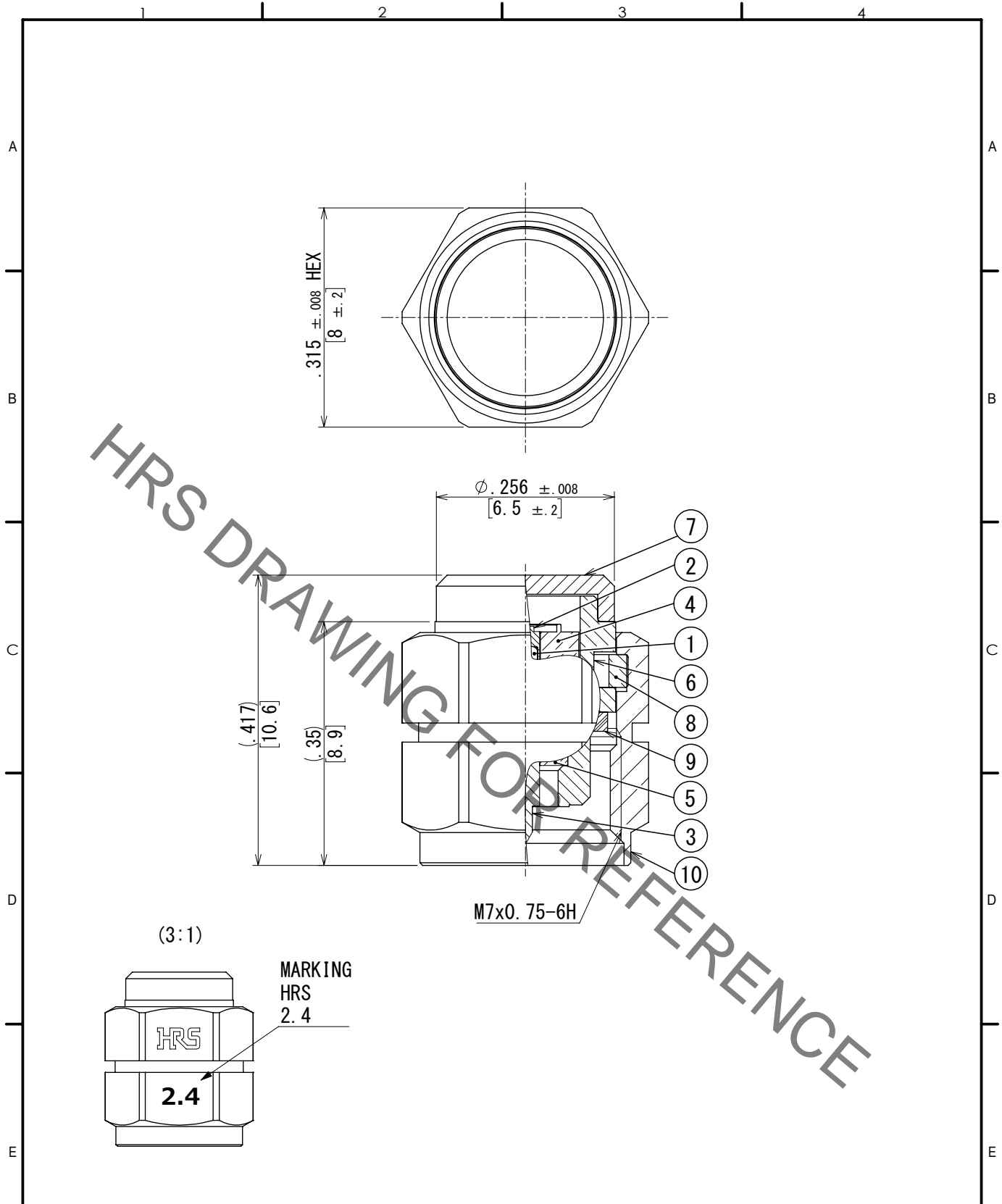


May.1.2022 Copyright 2022 HIROSE ELECTRIC CO., LTD. All Rights Reserved.  
 In case of consideration for using Automotive equipment / device which demand high reliability, kindly contact our sales window correspondents.



5	PTFE		10	STAINLESS STEEL	PASSIVATE		
4	BRASS	GOLD PLATING	9	SILICONE RUBBER			
3	BRASS	GOLD PLATING	8	BERYLLIUM COPPER	NICKEL PLATING		
2	BRASS	GOLD PLATING	7	BRASS	NICKEL PLATING		
1	RESISTOR	50 OHMS	6	STAINLESS STEEL	PASSIVATE		
NO.	MATERIAL	FINISH	REMARKS	NO.	MATERIAL	FINISH	REMARKS

UNITS inch / mm		SCALE 5:1	COUNT 	DESCRIPTION OF REVISIONS	DESIGNED	CHECKED	DATE	APPROVED : TS. NAKAGAWA 2021. 06. 01	DRAWING NO. EDC-393908-00-00
		DESIGNED : TS. KANEKO 2021. 06. 01		CODE NO. CL0353-0174-0-00				DRAWN : TS. KANEKO 2021. 06. 01	