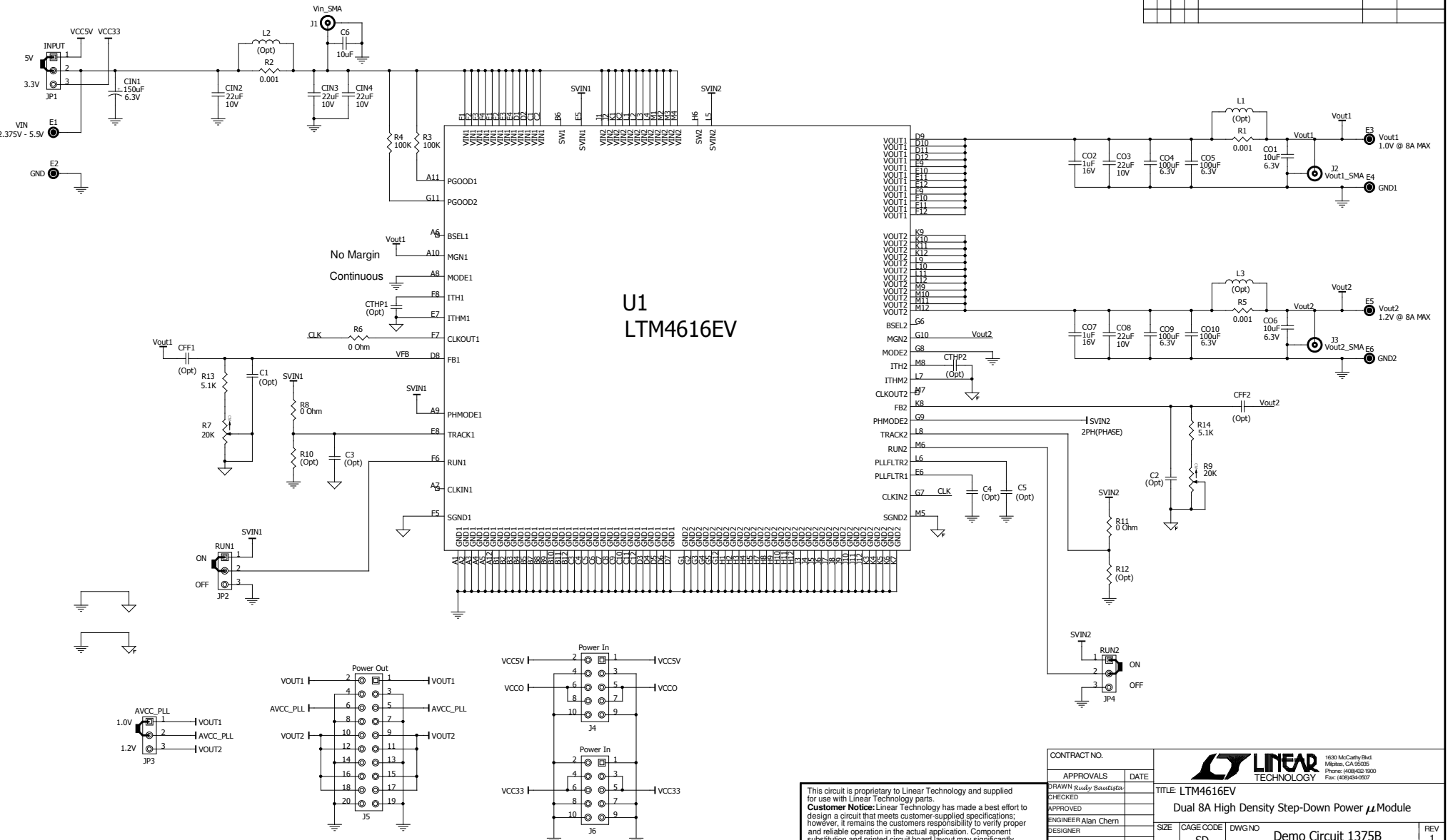



REVISION #				REVISION HISTORY		
SD	PC	AD	FD	DESCRIPTION	DATE	APPROVED
1	0	0	0	1st Release		



This circuit is proprietary to Linear Technology and supplied for use with Linear Technology parts.
Customer Notice: Linear Technology has made a best effort to design a circuit that meets customer-supplied specifications; however, it remains the customer's responsibility to verify proper and reliable operation in the actual application. Component substitution and printed circuit board layout may significantly affect circuit performance or reliability. Contact Linear Applications Engineering for assistance.

CONTRACT NO.		DATE		 <small>1650 McCarthy Blvd. Milpitas, CA 95035 Phone: (408)438-1900 Fax: (408)434-0207</small>	
APPROVALS		DATE		TITLE: LTM4616EV	
DRAWN	Ready Beattista			Dual 8A High Density Step-Down Power μ Module	
CHECKED				SIZE	CAGE CODE
APPROVED				SD	DWG NO
ENGINEER	Alan Chern			Demo Circuit 1375B	
DESIGNER				REV	1
Friday, February 20, 2009		FILENAME:	C:\ORCAD\WIN\CAPTURE\1375B\1375B_00_REV1.DSN	SHEET	1 OF 1