

CGA2B1X7T0G105M050BC

TDK Item Description : CGA2B1X7T0G105MT****



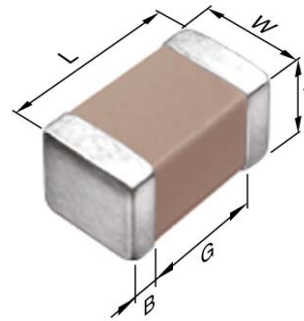
Equivalent C1005X7T0G105M for Automotive

Application & Main Feature

Automotive Grade (General (Up to 75V))

Series

CGA2(1005) [EIA 0402]



Dimensions

L	1.00mm +0.10/-0.05mm
W	0.50mm +0.10/-0.05mm
T	0.50mm +0.10/-0.05mm
B	0.10mm Min.
G	0.30mm Min.

Temperature Characteristic

X7T (-55 to +125 degC +22/-33%)

Rated Voltage

0G (4Vdc)

Capacitance

1 μ F

Capacitance Tolerance

M (+/-20%)

Dissipation Factor

10% Max.

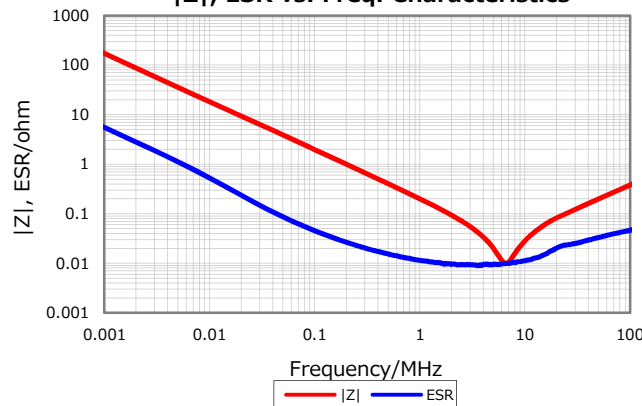
Insulation Resistance

100Mohm Min.

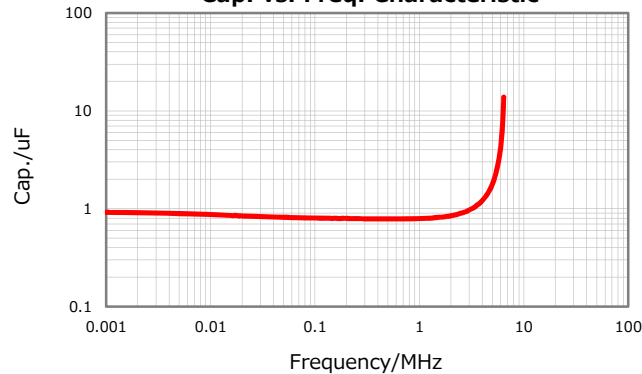
AEC-Q200

Yes

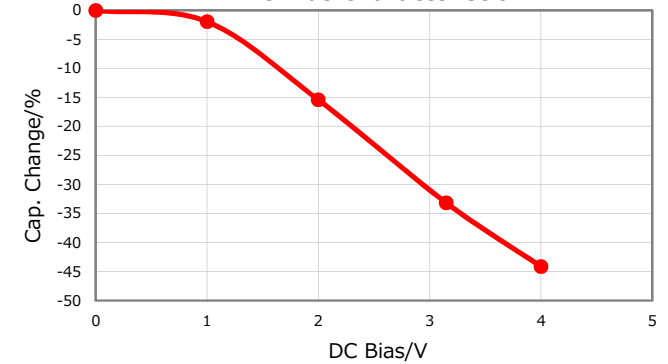
|Z|, ESR vs. Freq. Characteristics



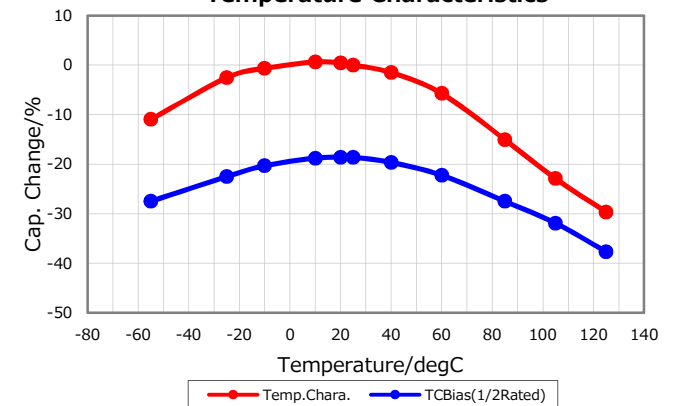
Cap. vs. Freq. Characteristic



DC Bias Characteristic



Temperature Characteristics



Ripple Temperature Rise Characteristics

