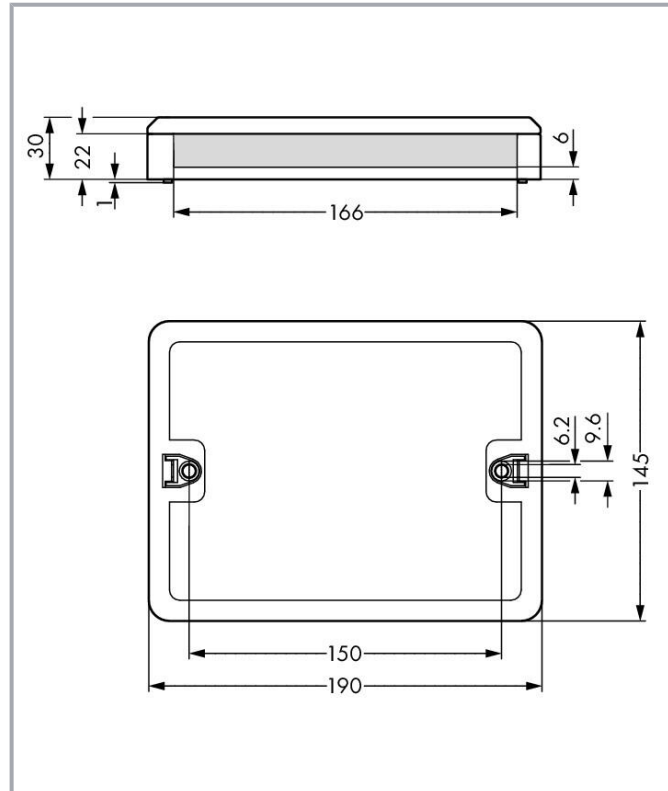
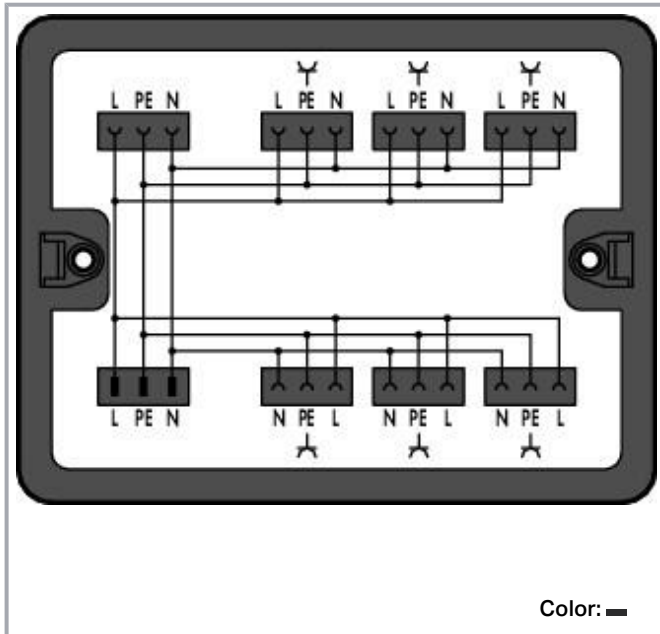


Data sheet | Item number: 899-631/104-000

Distribution box; Single-phase current (230 V); 1 input; 7 outputs; Cod. A;  
MIDI; black



[www.wago.com/899-631/104-000](http://www.wago.com/899-631/104-000)



## Item description

### Distribution box *WINSTA*® A coding

Implement your installation project quickly and easily: The distribution box from the *WINSTA*® product line with protection type IP20 is the solution for quick, straightforward installation. You can rely on the level of quality of *WINSTA*® components from WAGO for your electrical installation accessories too. For greater protection in electrical installations, the distribution box is equipped with mechanical protection against mismatching. The distribution box is protected against ingress by solid objects in accordance with protection type IP20 (When mated: IP2xC (These compact connectors are not designed for use in open, easily accessible areas!)). General mains applications for almost any domain of use can be realised with *WINSTA*® distribution boxes with A coding. Important parameters in the selection of a distribution box are the rated current and voltage: They tell us about the product's domains of use. This product has a current rating of 25 A – therefore it is suitable for powerful loads.

### *WINSTA*® solutions for your electrical installation – protected against mismatching and maintenance-free

Subject to changes. Please also observe the further product documentation!

WAGO GmbH & Co. KG  
Hansastr. 27  
32423 Minden  
Phone: +49571 887-0 | Fax: +49571 887-169  
Email: [info.de@wago.com](mailto:info.de@wago.com) | Web: [www.wago.com](http://www.wago.com)

Do you have any questions about our products?  
We are always happy to take your call at +49 (571) 887-44222.



The WINSTA® Pluggable Connection System allows pluggable electrical installation. This saves time, lowers costs, and reduces the need for servicing. Enjoy the benefits of the pluggable version of our maintenance-free spring pressure connection technology too! Plan your installation with WINSTA® distribution boxes with protection type IP20 from WAGO.

- 
- distribution boxes with protection against mismatching
- clear slot identification for easy commissioning
- saves time, since no wiring is required at the construction site
- with A coding for use in many general mains applications
- convenient installation and commissioning

## Data

### Electrical data

#### Ratings per IEC/EN

Ratings per	IEC/EN 60664-1
Nominal voltage (III/3)	250 V
Rated impulse voltage (III/3)	4 kV
Rated current	25 A
Legend (ratings)	(III / 3) ≙ Overvoltage category III / Pollution degree 3

### General

Note on contact resistance	approx. 1 mΩ contact resistance approx. 0.25 mΩ contact transition (plug/socket)
----------------------------	---

### Physical data

Width	190 mm / 7.48 inches
Height	30 mm / 1.181 inches
Depth	145 mm / 5.709 inches

### Mechanical Data

Internal wiring	4 mm <sup>2</sup>
Application	General mains applications
Coding	A
Mounting type	Wall, screw mount

Subject to changes. Please also observe the further product documentation!



Installation on mounting plate

Protection type

IP20; When mated: IP2xC (These compact connectors are not designed for use in open, easily accessible areas!)

## Plug-in connection

Mismating protection

Yes

Note on mismating protection

All *WINSTA*<sup>®</sup> components are 100% protected against mismating when:

- a.) plugging different numbers of poles
- b.) plugging while rotated 180
- c.) plugging while laterally staggered
- d.) plugging one pole

Locking of plug-in connection

locking lever

## Material Data

Note (material data)

Information on material specifications can be found here

Color

black

Insulation material

Polyamide (PA66)

Flammability class per UL94

V0

Contact material

Copper or copper alloy; surface-treated

Contact plating

Tin

Fire load

77.465 MJ

Weight

435 g

## Environmental requirements

Processing temperature

-5 ... +40 °C

Continuous operating temperature

-35 ... +85 °C

Note on continuous operating temperature

Insulating parts for temperatures ≤ 105 °C

## Commercial data

eCl@ss 10.0

27-44-06-03

eCl@ss 9.0

27-44-06-03

ETIM 8.0

EC002567

ETIM 7.0

EC002567

PU (SPU)

1 pcs

Packaging type

box

Subject to changes. Please also observe the further product documentation!

WAGO GmbH &amp; Co. KG

Hansastr. 27

32423 Minden

Phone: +49571 887-0 | Fax: +49571 887-169

Email: [info.de@wago.com](mailto:info.de@wago.com) | Web: [www.wago.com](http://www.wago.com)

Do you have any questions about our products?










We are always happy to take your call at +49 (571) 887-44222.

Country of origin	DE
GTIN	4055143290135
Customs tariff number	85366990990

## Environmental Product Compliance

RoHS Compliance Status	Compliant, No Exemption
------------------------	-------------------------

## Counterpart

	<b>Item no.771-9993/006-101</b> pre-assembled interconnecting cable; Eca; Socket/plug; 3-pole; Cod. A; H05VV-F 3G 1.5 mm <sup>2</sup> ; 1 m; 1,50 mm <sup>2</sup> ; black	<a href="http://www.wago.com/771-9993/006-101">www.wago.com/771-9993/006-101</a>
	<b>Item no.771-9993/106-101</b> pre-assembled connecting cable; Eca; Socket/open-ended; 3-pole; Cod. A; H05VV-F 3G 1.5 mm <sup>2</sup> ; 1 m; 1,50 mm <sup>2</sup> ; black	<a href="http://www.wago.com/771-9993/106-101">www.wago.com/771-9993/106-101</a>
	<b>Item no.771-9993/206-101</b> pre-assembled connecting cable; Eca; Plug/open-ended; 3-pole; Cod. A; H05VV-F 3G 1.5 mm <sup>2</sup> ; 1 m; 1,50 mm <sup>2</sup> ; black	<a href="http://www.wago.com/771-9993/206-101">www.wago.com/771-9993/206-101</a>
	<b>Item no.770-103</b> Socket; with strain relief housing; 3-pole; Cod. A; 4,00 mm <sup>2</sup> ; black	<a href="http://www.wago.com/770-103">www.wago.com/770-103</a>
	<b>Item no.770-113</b> Plug; with strain relief housing; 3-pole; Cod. A; 4,00 mm <sup>2</sup> ; black	<a href="http://www.wago.com/770-113">www.wago.com/770-113</a>
	<b>Item no.770-203</b> Socket; 3-pole; Cod. A; 4,00 mm <sup>2</sup> ; black	<a href="http://www.wago.com/770-203">www.wago.com/770-203</a>
	<b>Item no.770-203/035-000</b> Socket; with strain relief housing; 3-pole; Cod. A; 4,00 mm <sup>2</sup> ; black	<a href="http://www.wago.com/770-203/035-000">www.wago.com/770-203/035-000</a>
	<b>Item no.770-213</b> Plug; 3-pole; Cod. A; 4,00 mm <sup>2</sup> ; black	<a href="http://www.wago.com/770-213">www.wago.com/770-213</a>
	<b>Item no.770-213/035-000</b> Plug; with strain relief housing; 3-pole; Cod. A; 4,00 mm <sup>2</sup> ; black	<a href="http://www.wago.com/770-213/035-000">www.wago.com/770-213/035-000</a>

## Optional accessories

### Mounting

Mounting accessories		
	<b>Item no.: 899-680</b> Mounting plate; for distribution boxes; gray	<a href="http://www.wago.com/899-680">www.wago.com/899-680</a>

Subject to changes. Please also observe the further product documentation!

## Downloads

### Documentation

#### Bid Text

899-631/104-000 X81 - Datei	2019 Feb 19	xml 3.4 kB	Download
899-631/104-000 doc - Datei	2015 Mar 11	doc 25.6 kB	Download
ausschreiben.de 899-631/104-000		URL	Download

## Environmental Product Compliance

### Compliance Search

Environmental Product Compliance 899-631/104-000 Distribution box; Single-phase current (230 V); 1 input; 7 outputs; Cod. A; MIDI; black	URL	Download
---	-----	----------

## Installation Notes

### Installation



Securing the mounting plate with WINSTA®  
Distribution Box to the wall (e.g., via stud gun).

## Product family

Subject to changes. Please also observe the further product documentation!



#### WINSTA® boxes

WINSTA® ist das Steckverbindersystem, das optimal auf die hohen Anforderungen in der Gebäudeinstallation zugeschnitten ist. Es macht die Elektroinstallation steckbar und dadurch schnell, sicher und fehlerfrei. Dies gilt auch in weiteren Anwendungen wie z. B. im Schiffbau, in der Bahntechnik oder in der Industrie.

[Show all products from the family](#)

Subject to changes. Please also observe the further product documentation!

---

WAGO GmbH & Co. KG  
Hansastr. 27  
32423 Minden  
Phone: +49571 887-0 | Fax: +49571 887-169  
Email: [info.de@wago.com](mailto:info.de@wago.com) | Web: [www.wago.com](http://www.wago.com)

Do you have any questions about our products?  
We are always happy to take your call at +49 (571) 887-44222.