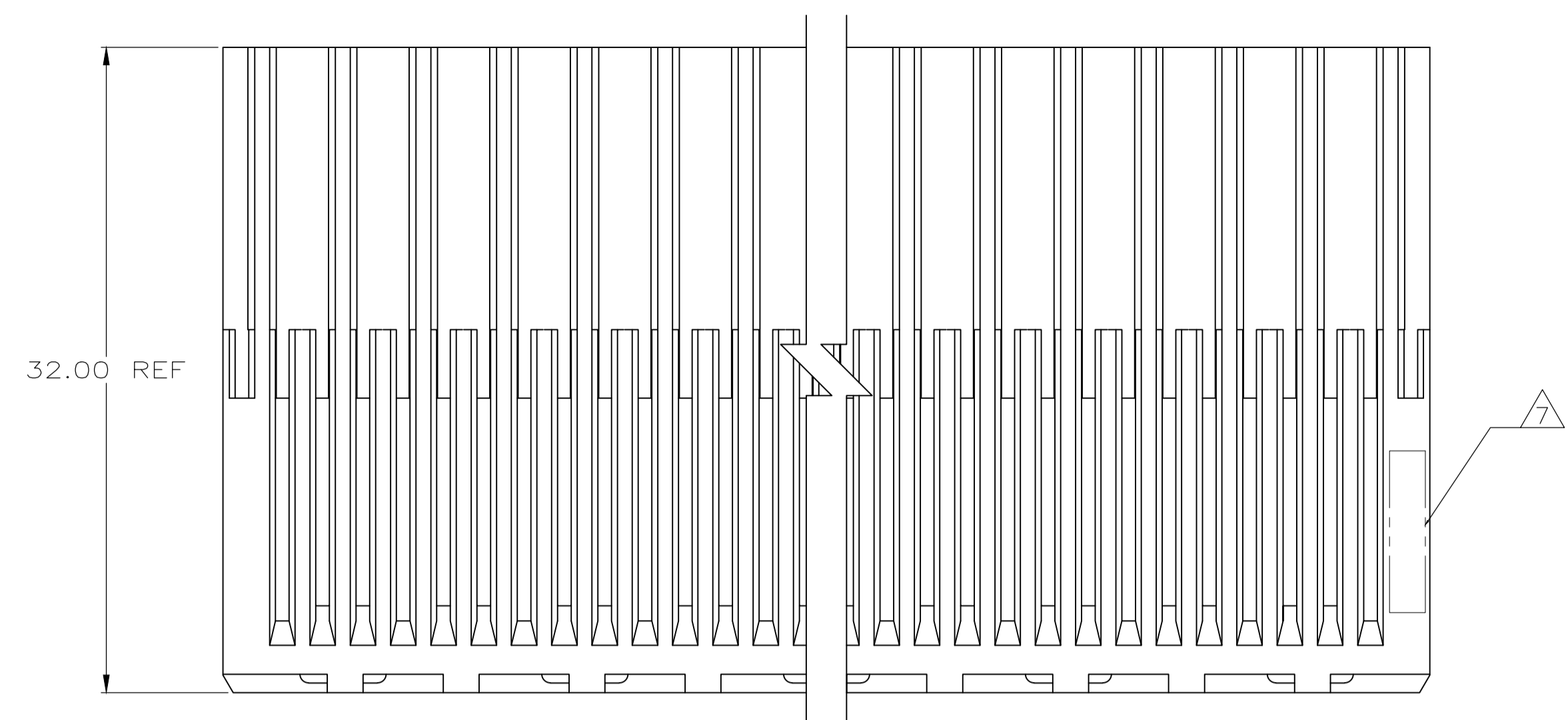
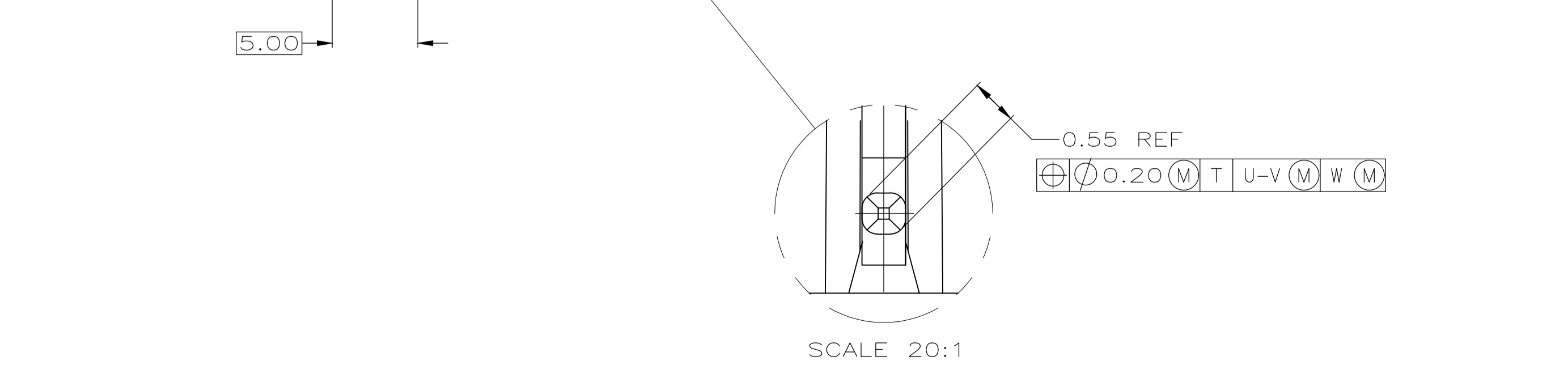
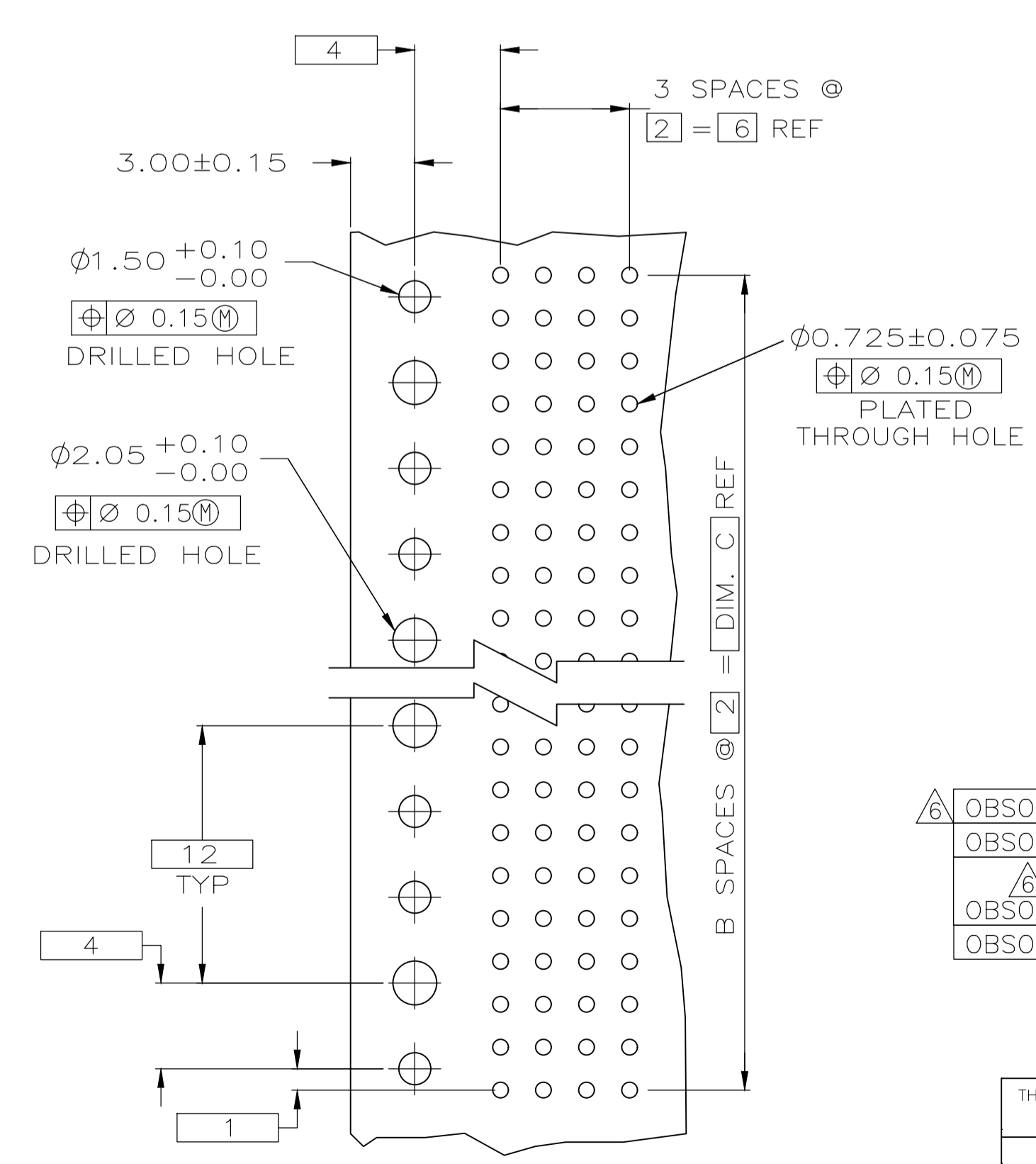
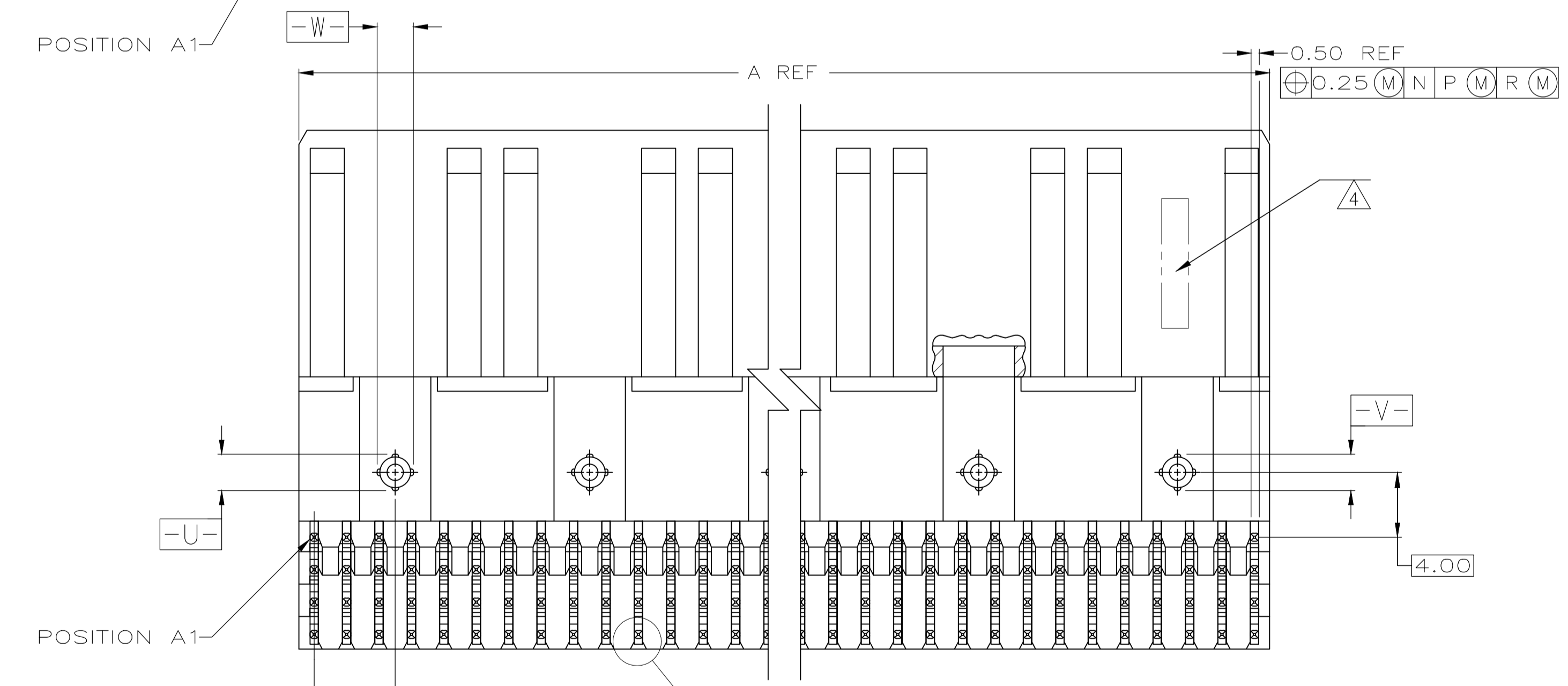
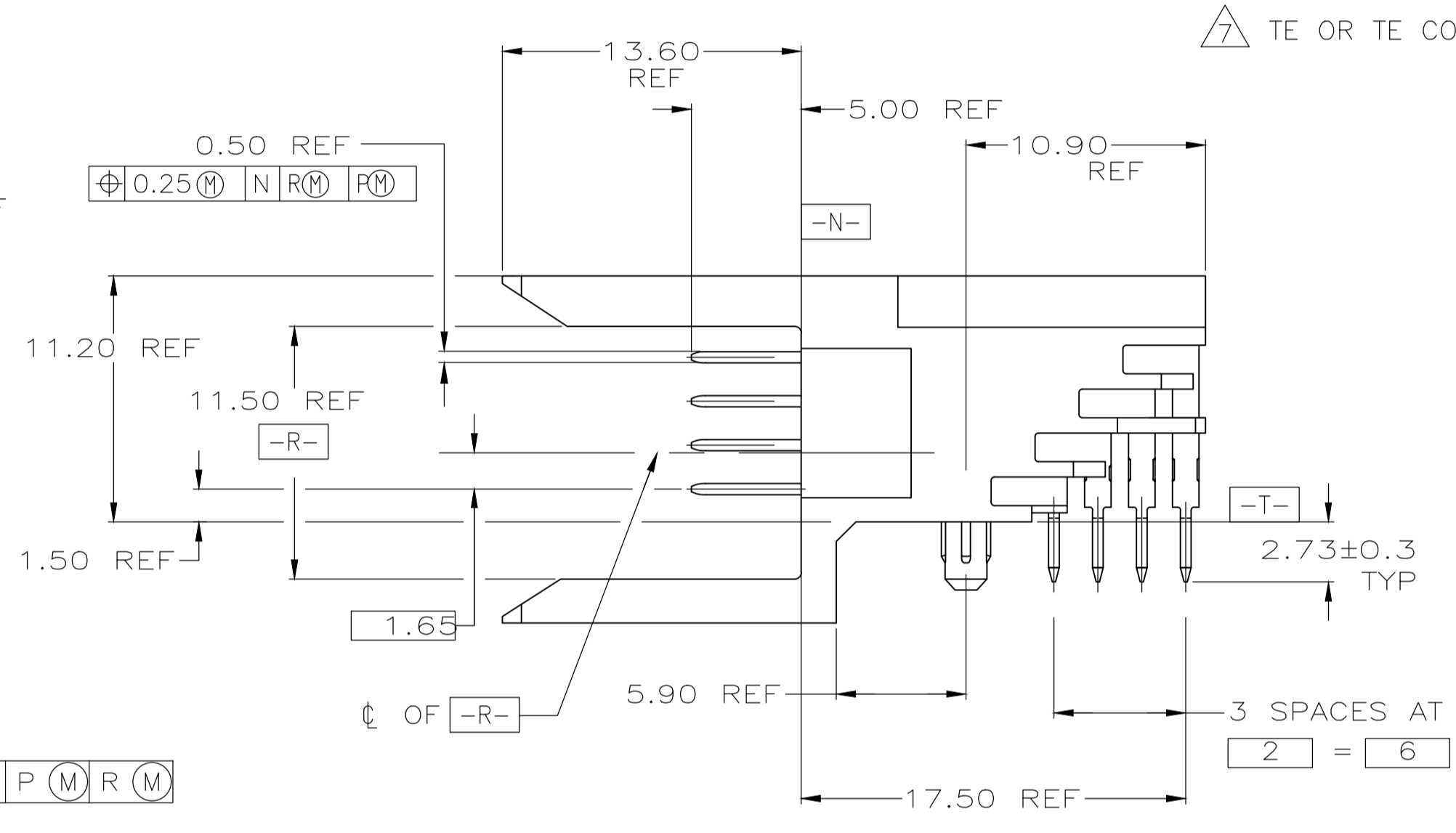
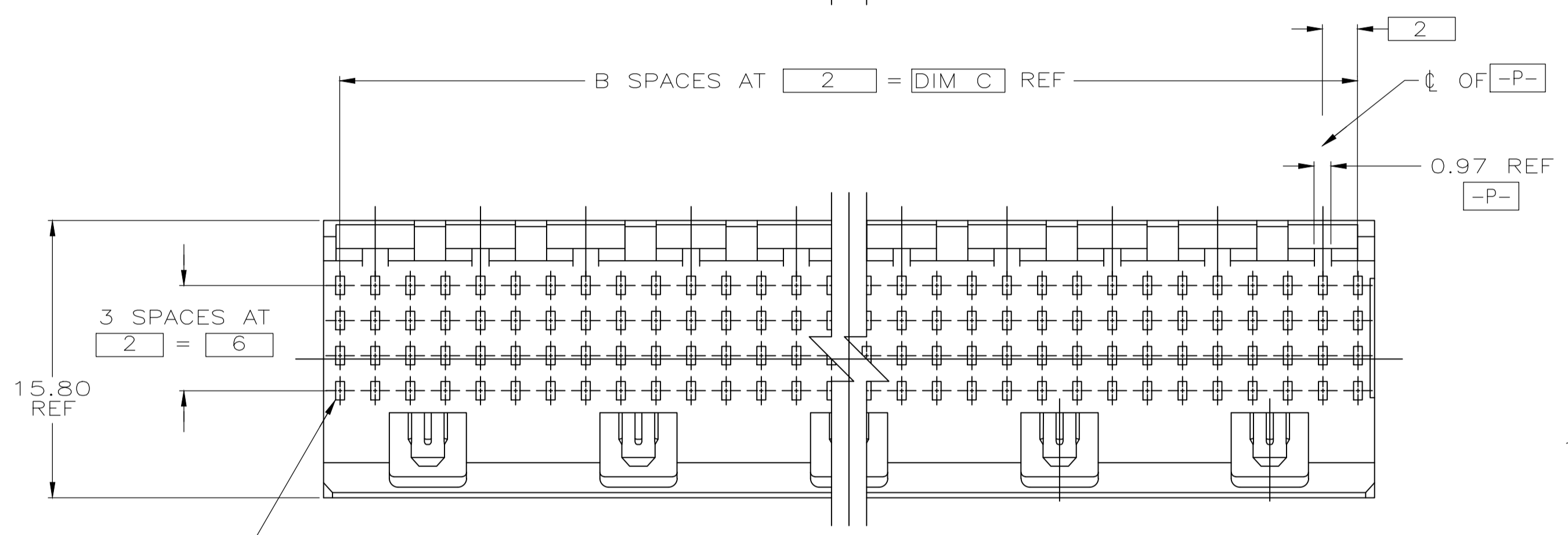


REVISIONS				
P	LTR	DESCRIPTION	DATE	BY
D		REVISED PER ECO-20-013368	27SEP2020	RZ HL



- ① HOUSING MATERIAL: LIQUID CRYSTAL POLYMER
COLOR: NATURAL.
- ② CONTACT MATERIAL: PHOSPHOR BRONZE PER UNS
ALLOY NO. C51100, TEMPER: H04.
- ③ CONTACT FINISH:(A)
UNDERPLATE (ENTIRE CONTACT):
0.00127 MIN NICKEL PER SAE-AMS-QQ-N-290
ON MATING SURFACES:
CONFORMS TO ALL TESTING SPECIFIED FOR TELCORDIA
UNCONTROLLED ENVIRONMENT.
ON LEADS:
0.00381 MIN MATTE TIN PER ASTM B 545 OVER UNDERPLATE.
LUBRICATION (MIN MATING SURFACES):
SURFACE CONDITIONER AFTER PLATING.
- ④ PART MARKING PER TE SPEC 115-9009 LOCATED APPROXIMATELY
AS SHOWN BETWEEN RIBS/SLOTS ON EITHER SIDE OF HOUSING AT
MANUFACTURER'S DISCRETION.
- ⑤ PART TO BE MARKED WITH DATE CODE ONLY.
- ⑥ OBSOLETE PARTS: OBSOLETE CIS STREAMLINING PER D.RENAUD/D.SINISI
- ⑦ TE OR TE CONNECTIVITY LOGO IS LOCATED.



	82	41	83.88	③	168	5223513-8
⑥ OBSOLETE	34	17	35.88	③	72	5223513-7
OBSOLETE	58	29	59.88	③	120	5223513-6
⑥ OBSOLETE	70	35	71.88	③	144	5223513-5
OBSOLETE	94	47	95.88	③	192	5223513-4
OBSOLETE	46	23	47.88	③	96	5223513-3
	22	11	23.88	③	48	5223513-2
⑤	10	5	11.88	③	24	5223513-1
	C	B	A	FINISH	NO OF POSN	PART NUMBER

RECOMMENDED CIRCUIT PATTERN
PER IPC-D300 TYPE II, CLASS C
(COMPONENT SIDE)

THIS DRAWING IS A CONTROLLED DOCUMENT.

DIMENSIONS:	TOLERANCES UNLESS OTHERWISE SPECIFIED:	DIN B. MCMASTER 14DEC04	TE Connectivity
mm	0 PLC ± -	CHK R. WERTZ 14DEC04	ASSEMBLY, PIN, SIGNAL, RIGHT ANGLE, 4 ROW, Z-PACK 2mm FB
	1 PLC ± 0.13	APP'D R. WERTZ 14DEC04	NAME
	2 PLC ± 0.13	PRODUCT SPEC	SIZE
	3 PLC ± -	APPLICATION SPEC	CAGE CODE
	4 PLC ± -	WEIGHT	DRAWING NO
	ANGLES ± -	0.000000	A1 00779
MATERIAL	FINISH	0000000	5223513
① ②	③	CUSTOMER DRAWING	SCALE 4:1 SHEET 1 of 1 REV D