

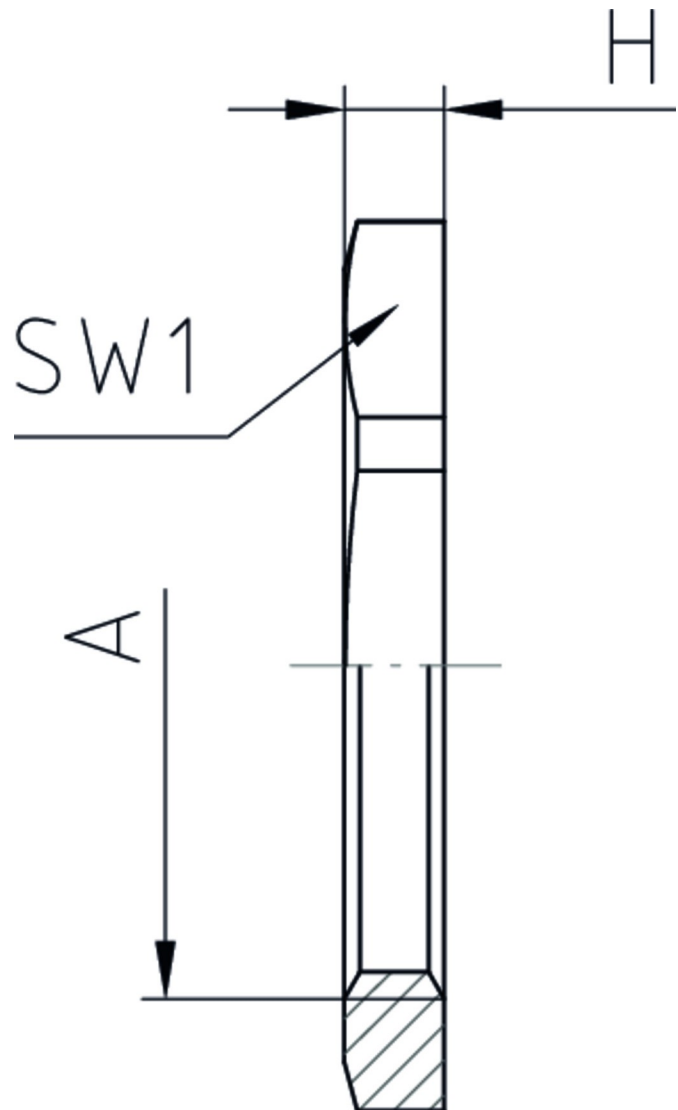
Hexagonal locknut

50.2xx ES


Hexagonal locknut	Stainless steel 1.4305
Internal thread	metric, as per EN 60423


Properties

Temperature range	-60 °C +200 °C	<ul style="list-style-type: none"> for secure tightening of cable glands and accessories
-------------------	-------------------	---



Features

A	SW1	H	 VPE	Part No.
M12x1,5	14	2,8	50	50.212 ES
M16x1,5	19	2,8	50	50.216 ES
M20x1,5	24	3	50	50.220 ES

A	SW1	H	 VPE	Part No.
M25x1,5	30	3,5	50	50.225 ES
M32x1,5	36	4	25	50.232 ES
M40x1,5	46	5	10	50.240 ES
M50x1,5	60	5	5	50.250 ES
M63x1,5	70	6	5	50.263 ES