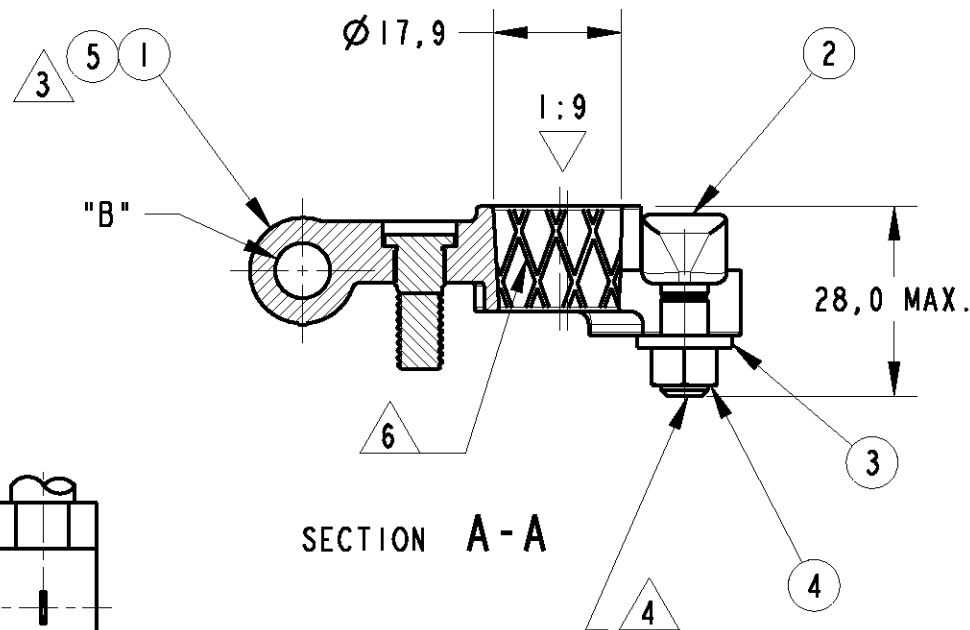
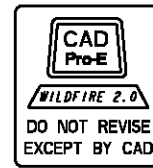


LOC	DIST	REVISIONS			
P	LTR	DESCRIPTION	DATE	DWN	APVD
AP	-	0	RELEASED	29SEP97	MRB PLF
		C	NOTE 6 ADDED EC197/02	17JUL02	MRB PFL
		C1	REVISED BY EC220/02	03AUG02	CRM PLF
		C2	REVISED BY ECO-08-008859	23APR2008	NCL NS

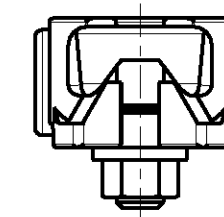


SECTION A-A

1 - AÇO CARBONO DIN 125-A.

2 - PORCA SEXTAVADA, M6x1 DIN 934-mg8
CLASSE DE ACABAMENTO DA ROSCA = 6H.

3	PARA APLICAÇÃO DE CABO: FOR CABLE CRIMPING	
	PN	BITOLA/WIRE RANGE
	493071-1	10+14 mm ²
	493071-2	16 mm ²



1 - CARBON STEEL / DIN 125-A.

2 - HEXAGONAL NUT M6x1 DIN 934 mg8,
THREAD FINISH CLASS = 6H.

4 - A ROSCA DEVE SER DEFORMADA APÓS
A MONTAGEM PARA NÃO PERDER A PORCA.

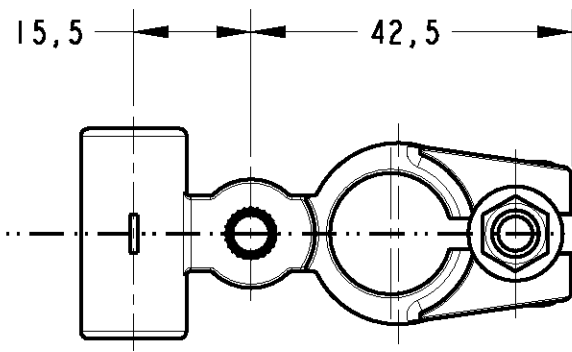
4 - AFTER NUT/WASHER ASSEMBLY SCREW SHALL
BE DEFORMED TO AVOID LOOSENING THE NUT.

5 - ESPECIFICAÇÃO DE PRODUTO
CONFORME NUMERO 108-37055.

5 - ACCORDING TO THE PRODUCT
SPECIFICATION NO. 108-37055.

FIXAÇÃO DO CABO POR COMPRESSÃO
EM FORMATO HEXAGONAL.

CABLE FIXATION BY COMPRESSION,
OF HEXAGONAL FORM.



REQ. PER ASSY	ITEM	DESCRIPTION	MATERIAL	FINISH
1	5	BATTERY TERMINAL, NEGATIVE.	LATÃO-MOLDÁVEL BRASS-DIE CAST	ESTANHADO/TIN PLATED
1	4	NUT, M-6.	2	ZINCADO / ZINC PLATED
1	3	WASHER, M-6.	1	ZINCADO / ZINC PLATED
1	2	SCREW, M-6, T-TYPE.	CLASSE 8.8 ISO898-1 CLASS	ZINCADO BICROMATIZADO TRIVALENTE
-	1	BATTERY TERMINAL, NEGATIVE.	LATÃO-MOLDÁVEL BRASS-DIE CAST	-

6 - OPCIONAL, SE NECESSÁRIO PARA ATENDER A ESPECIFICAÇÃO FORD
ES-F3LU-14450-AA, ITEM 3.3 (HOLDING CAPACITY FOR REVOLUTION).

6 - OPTIONAL, IF NECESSARY TO MEET FORD SPECIFICATION
ES-F3LU-14450-AA, ITEM 3.3 (HOLDING CAPACITY FOR REVOLUTION).

THIS DRAWING IS A CONTROLLED DOCUMENT FOR TYCO ELECTRONICS CORPORATION IT IS SUBJECT TO CHANGE AND THE CONTROLLING ENGINEERING ORGANIZATION SHOULD BE CONTACTED FOR THE LATEST REVISION.		DWN M.R. BRIZ 23SEP97 CHK P.L. FARIA 29SEP97 APVD J.M. MORAES NETO 29SEP97	Tyco Electronics AMP do Brasil LTDA. São Paulo, Brasil
DIMENSIONS: mm 	TOLERANCES UNLESS OTHERWISE SPECIFIED: 0 PLC ±- 1 PLC ±0.3 2 PLC ±- 3 PLC ±- 4 PLC ±- ANGLES ±°	PRODUCT SPEC -/- APPLICATION SPEC -/- WEIGHT -/-	NAME BATTERY TERMINAL ASSY., NEGATIVE SIZE A3 CAGE CODE 00779 DRAWING NO. C-493071 RESTRICTED TO -
MATERIAL -/-	FINISH -/-	CUSTOMER DRAWING	DESENHO DE CLIENTE
		SCALE	SHEET OF REV C2