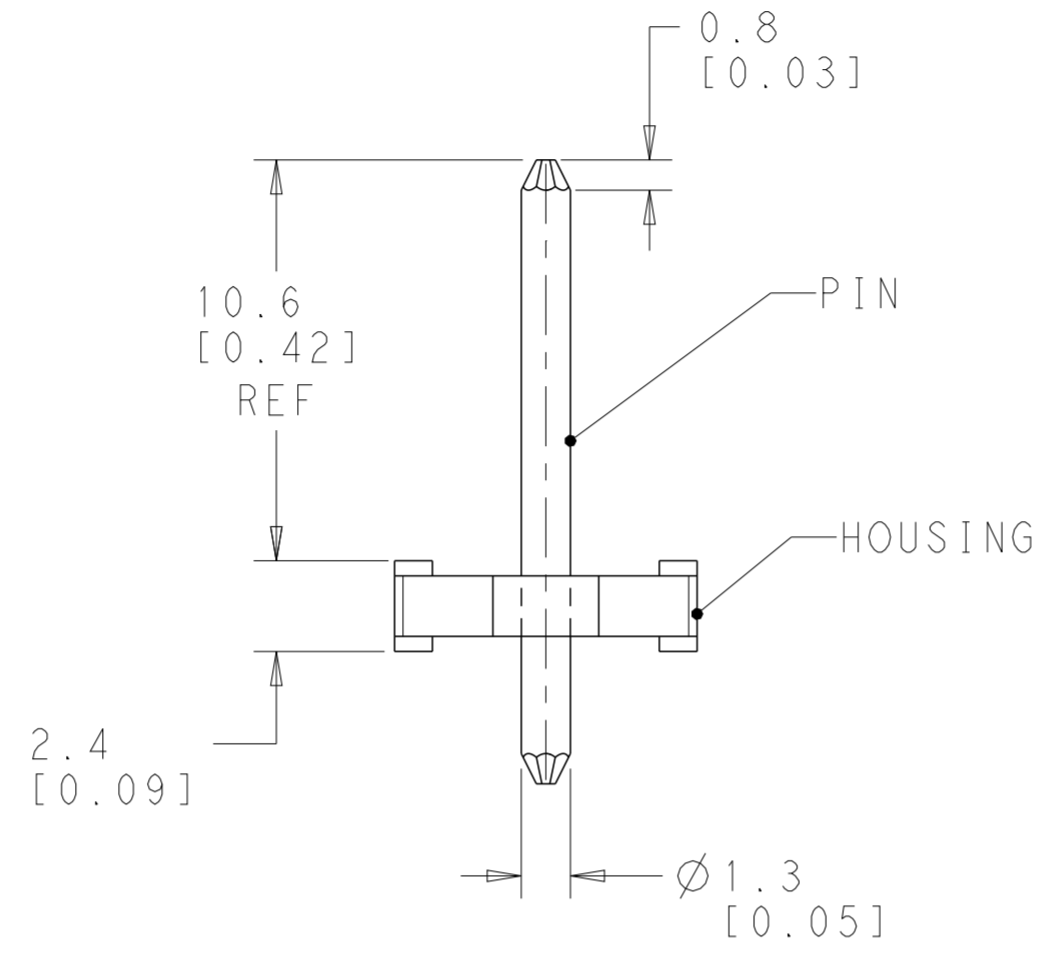
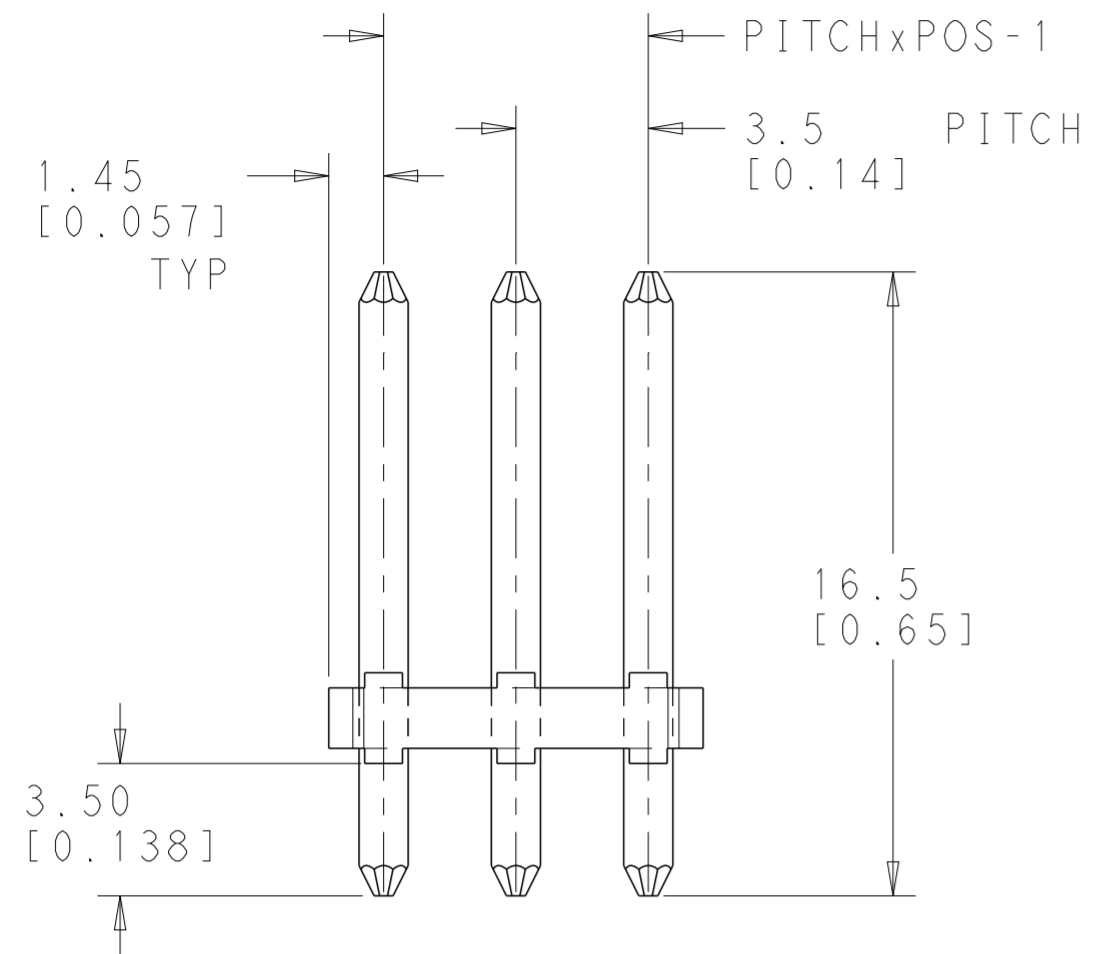
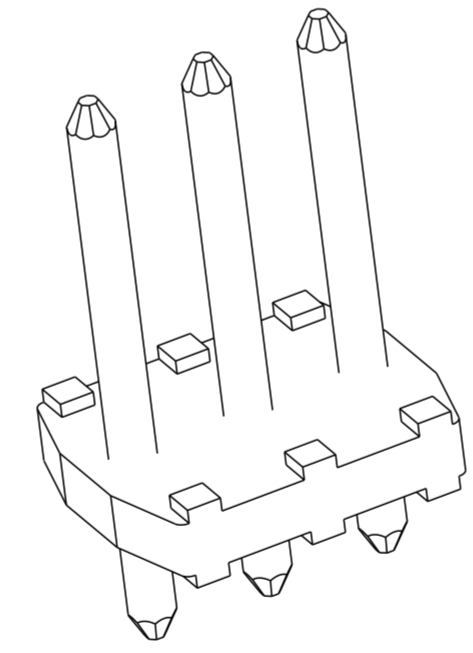
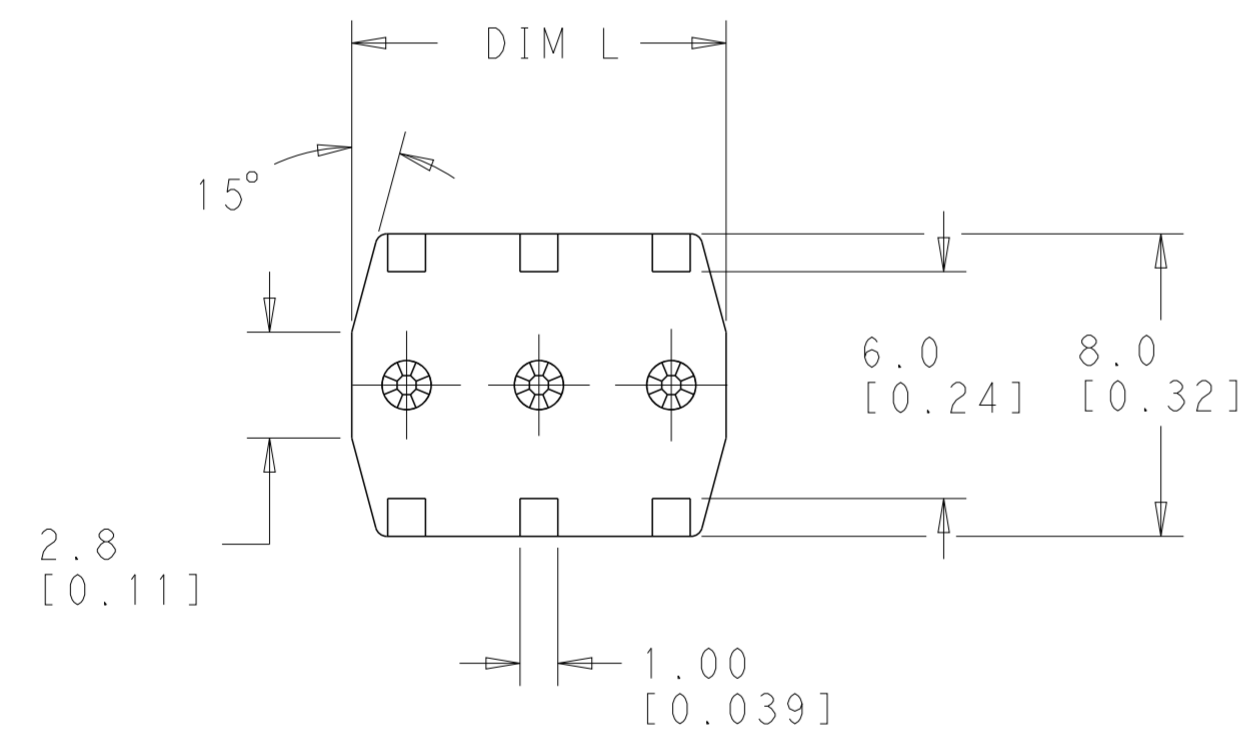


P	LTR	DESCRIPTION	DATE	DWN	APVD
B3		ADDED BLACK VARIANT	14AUG2015	RRN	PS
B4		5-2 TO 5-8 PART OBSOLETE	29AUG2020	DV	PS



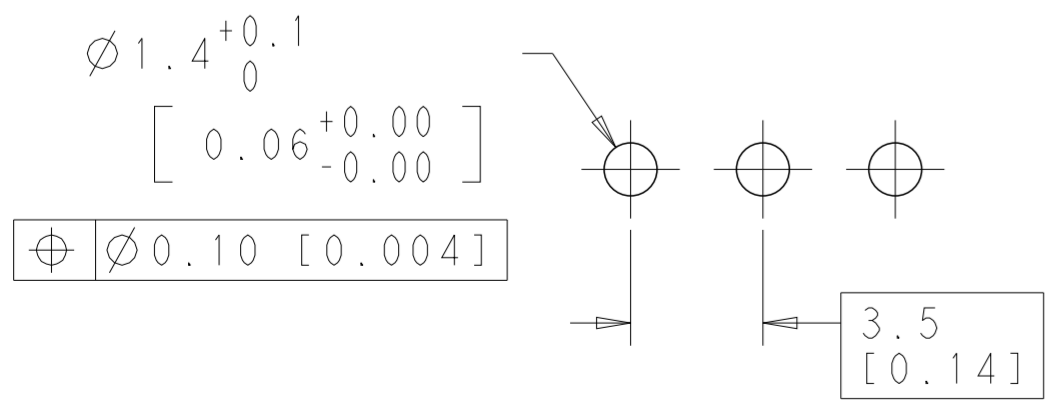
NOTES:

- MATERIALS:  
HOUSING: PA HIGH TEMP, UL94 V0, COLOUR: SEE TABLE  
PIN: COPPER ALLOY  
PLATING: TIN PLATED
- MECHANICAL:  
OPERATING TEMPERATURE: -40°C TO +110°C
- ELECTRICAL:  
VOLTAGE RATING: 150 V  
CURRENT RATING: 2 A  
CONTACT RESISTANCE: 15 mOHM (MAX)  
INSULATION RESISTANCE: 1000 MOHMS (MIN) (500V DC)



- 3 AS SHOWN

COLOUR	DIM L	POS	PART NO
OBSOLETE	27.40 [1.078]	8	<del>5-1986718-8</del>
	23.90 [.941]	7	<del>5-1986718-7</del>
	20.40 [.803]	6	<del>5-1986718-6</del>
	16.90 [.665]	5	<del>5-1986718-5</del>
	13.4 [.527]	4	<del>5-1986718-4</del>
	9.90 [.389]	3	<del>5-1986718-3</del>
	6.40 [.252]	2	<del>5-1986718-2</del>
	GREEN	27.40 [1.078]	8
23.90 [.941]		7	1986718-7
20.40 [.803]		6	1986718-6
16.90 [.665]		5	1986718-5
13.4 [.527]		4	1986718-4
9.90 [.389]		3	1986718-3
6.40 [.252]		2	1986718-2



THIS DRAWING IS A CONTROLLED DOCUMENT.

DIMENSIONS: MM [INCH]	TOLERANCES UNLESS OTHERWISE SPECIFIED: 0 PLC ± 1 PLC ±0.20 [0.008] 2 PLC ±0.10 [0.004] 3 PLC ± 4 PLC ± ANGLES ±1° FINISH -	DWN YASHKUMAR 09NOV2011 CHK SARVER MICHAEL 09NOV2011 APVD SARVER MICHAEL 09NOV2011	NAME MALE CONNECTOR, UNSHROUDED HEADER WITH WIDE BASE STRAIGHT SIDE STACKABLE, PIN 1.3mm DIA, PITCH 3.50mm
MATERIAL -	FINISH -	PRODUCT SPEC - APPLICATION SPEC - WEIGHT -	SIZE A2 CAGE CODE 00779 DRAWING NO C-1986718 RESTRICTED TO
CUSTOMER DRAWING		SCALE 5:1	SHEET 1 OF 1 REV B4