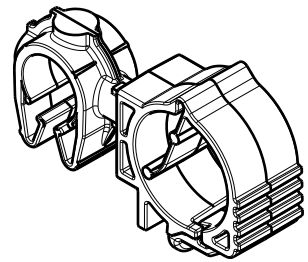
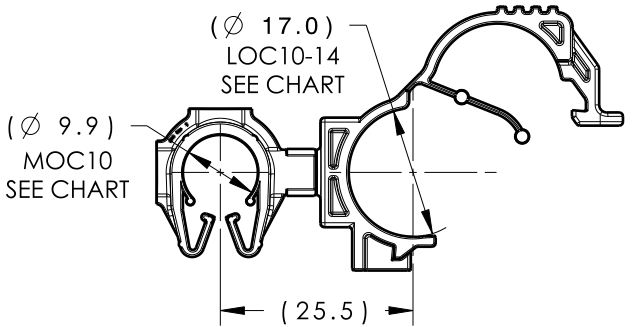
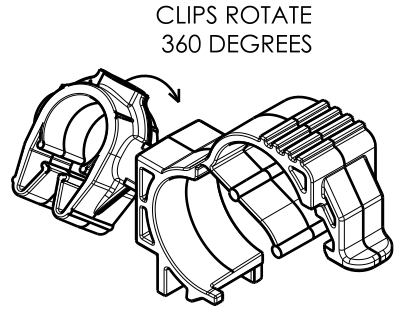


Revision Level			Revision Record	Changed	Date	Approved	Date
Drawing	State	Part					
01.1	Design Release	-	SEE ECN# 014864	EJH	1/16/19	TAT	1/17/19



ISOMETRIC VIEW
CLOSED



ISOMETRIC VIEW
OPEN

TYPE	MOC10F
HARNESS	10.0MM-11.5MM
HOSE	9.5MM-11.5MM
HARD PIPE/TUBE	10.0MM-11.5MM

*RECOMMENDED SIZES MAY DIFFER DEPENDING ON THE APPLICATION , PRODUCT REQUIREMENTS AND MATERIALS USED

**PATENT PENDING 29/582,271



GLOBAL PART NAME	MOC10**			LOC10-14		
	DRAWING	MATERIAL	COLOR	DRAWING	MATERIAL	COLOR
MOC10LOC10-14-PA66HIRHSUV-BK	16-0318-000-CSU	PA66HIRHSUV	BLACK	11-0594-031-CSU	PA66HIRHSUV	BLACK

Material SEE CHART COLOR: SEE CHART	Units	millimeters	The copyright of this drawing is reserved by HellermannTyton. It is issued on condition that it is not reproduced, copied or disclosed to a third party, either wholly or in part, without the consent of HellermannTyton.	Drawn	TAT	11/13/17	Article/Type-No	MOC10FLOC10-14		Scale	1:1
	Tolerance defined on each dimension	Approved		EJH	11/13/17	Title		10MM MOC COUPLED TO 10-14MM LOC		Project Number	16-0327
		 North America Email: corp@htamericas.com Web: www.hellermann.tyton.com			Drawing-No		PRODUCTION : Phase		Format	AH	
							16-0327-102-CSU		Sheet	1/1	