

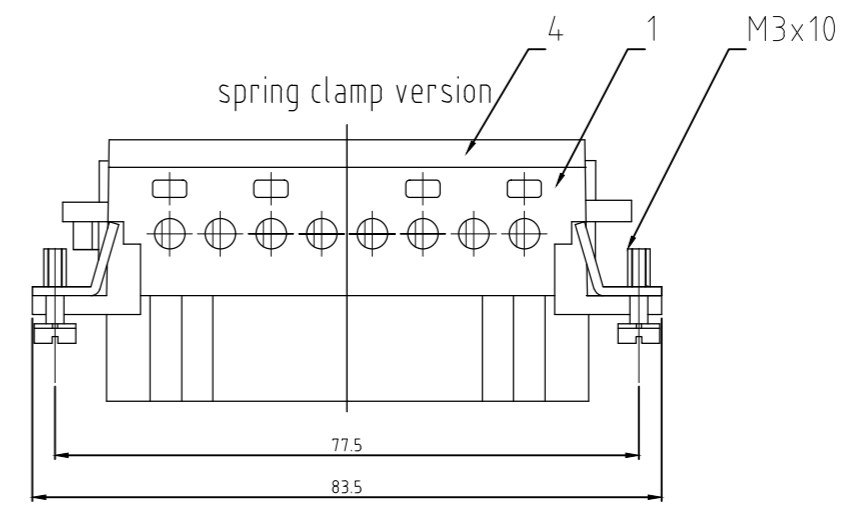
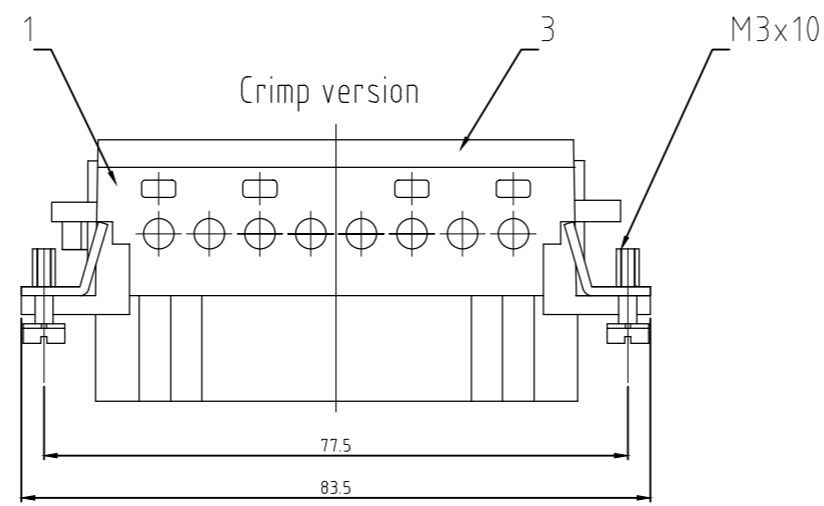
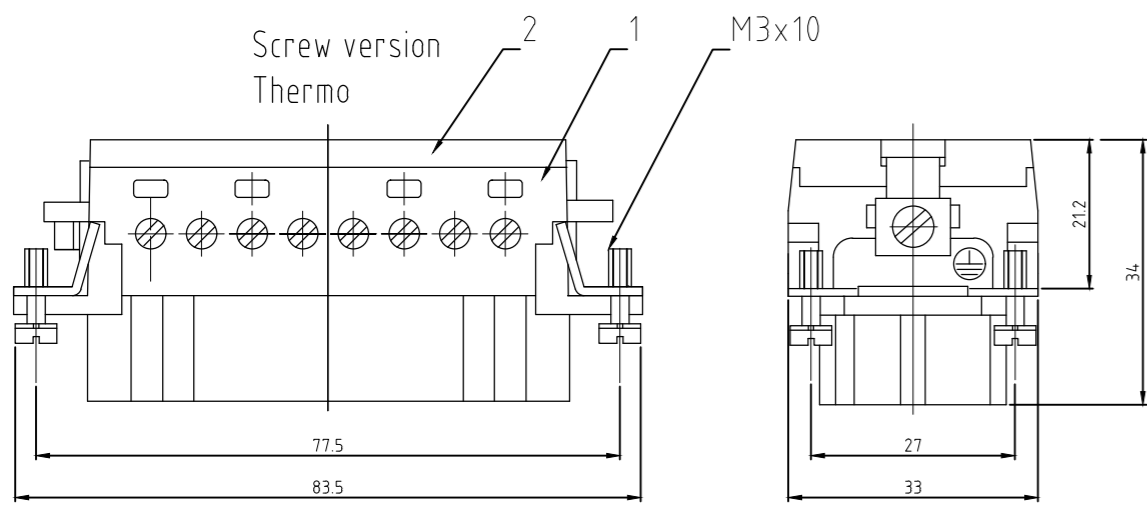
THIS DRAWING IS UNPUBLISHED.  
VERTRAULICHE UNVERÖFFENTLICHTE ZEICHNUNG

RELEASED FOR PUBLICATION  
FREI FUER VERÖFFENTLICHUNG  
ALL RIGHTS RESERVED.  
ALLE RECHTE VORBEHALTEN

MATED WITH:  
PASSEND ZU:  
HE

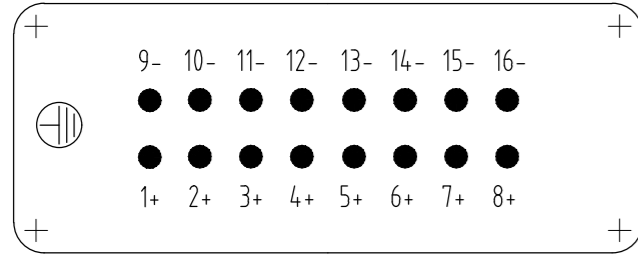
REVISIONS

P	LTR	DESCRIPTION BESCHREIBUNG	DATE	DWN	APVD
C12	ECR-17-014011		28MAR2018	SG	MKO

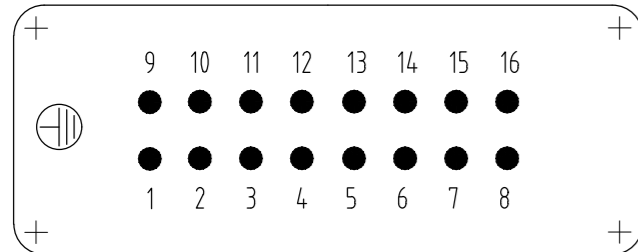


Contact arrangement view from termination side

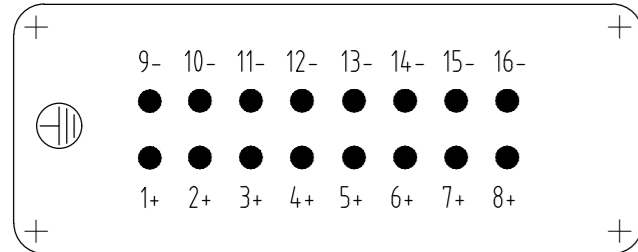
Printing 1-16 Thermo



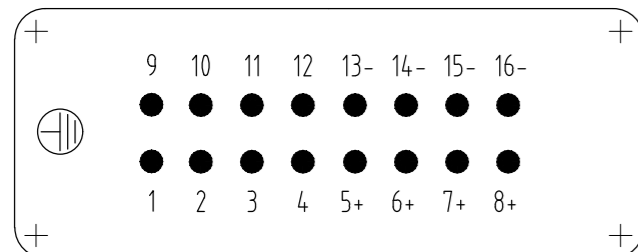
Printing 1-16 Screw



Printing 1-16 Thermo

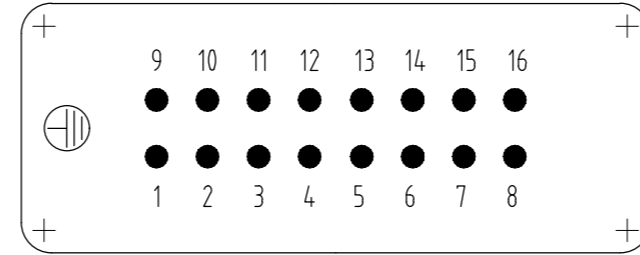


Printing 8+4+4 Screw/Thermo

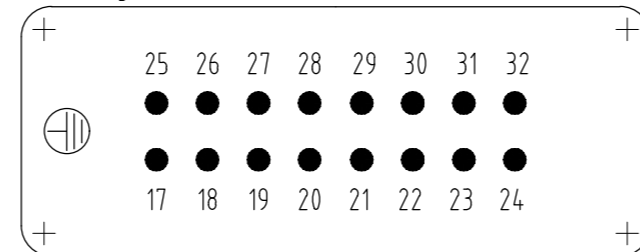


Contact arrangement view from termination side

Printing 1-16

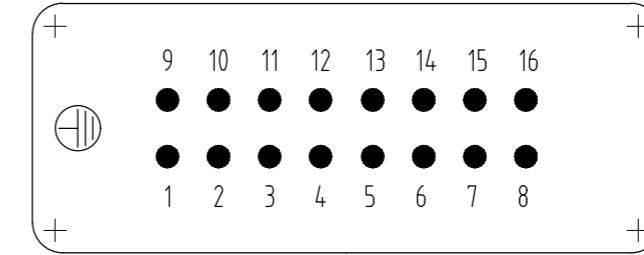


Printing 17-32

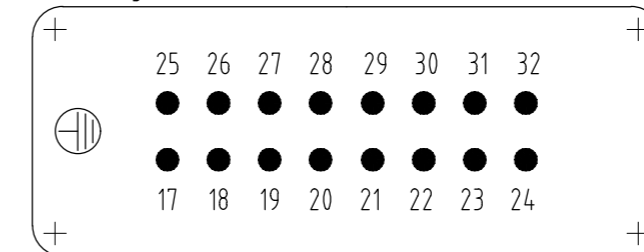


Contact arrangement view from termination side

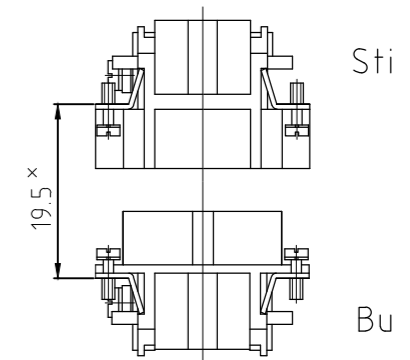
Printing 1-16



Printing 17-32



assembly directions

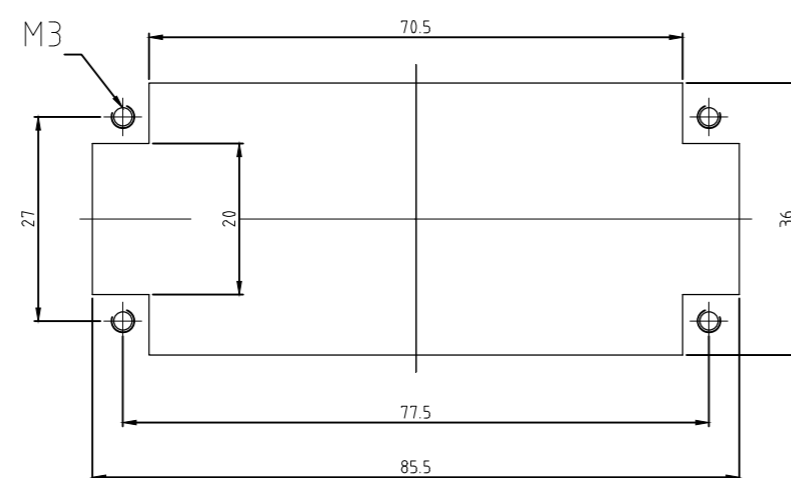


× distance for a safe contact max: max: 21 mm

NOTES:

- SUITABLE CRIMP CONTACTS: SERIES HE/HA  
OUTER DIMENSIONS OF INSULATION: MAX. Ø3,2 MM
- SUITABLE HOOD SIZE 6; 10; SERIES HB; HD;HIP,EMV  
SUITABLE INSERTION AND EXTRACTION TOOL:  
SCREWDRIVER 0,5x3 DIN 5264
- Strip lenght: Screw conection 10mm  
Spring clamp conection 10mm Crimp conection 7.5mm
- STANDARDS:  
DIN EN 61984; DIN EN 60664-1
- PACKAGING:  
5 SETS IN A CARTON, PRE-MOUNTED
- SPECIAL PACKAGING: Krauss-Maffei  
PACKAGING UNIT: 200 PIECES

Panel cut-out for contact insert when used without housing



HE.16.Bu.S.B1-16-KM	OBSOLETE								
HE.16.Bu.S-T-B-8-4-4	OBSOLETE								
HE.16.Bu.S.B-1-16-AU	OBSOLETE								
HE.16.Bu.S.C.B-17-32	SUPERSEDED BY T2040323201-000								
HE.16.Bu.S.C.B-1-16	SUPERSEDED BY T2040163201-000								
HE.16.Bu.C.B-17-32	OBSOLETE								
HE.16.Bu.C.B-1-16									
HE.16.Bu.S.B.17-32									
HE.16.Bu.S-T-B-1-16	OBSOLETE								
HE.16.Bu.S.B-1-16	OBSOLETE								

DESCRIPTION / BENENNUNG	MATERIAL	COLOR / FARBE	ITEM NO. POS.	REMARKS / BEMERKUNGEN
Deckel Federklemmversion		lichtgrau	4	
Deckel Crimpversion		lichtgrau	3	
Deckel Schraubversion		lichtgrau	2	
Buchseinsatz		lichtgrau	1	

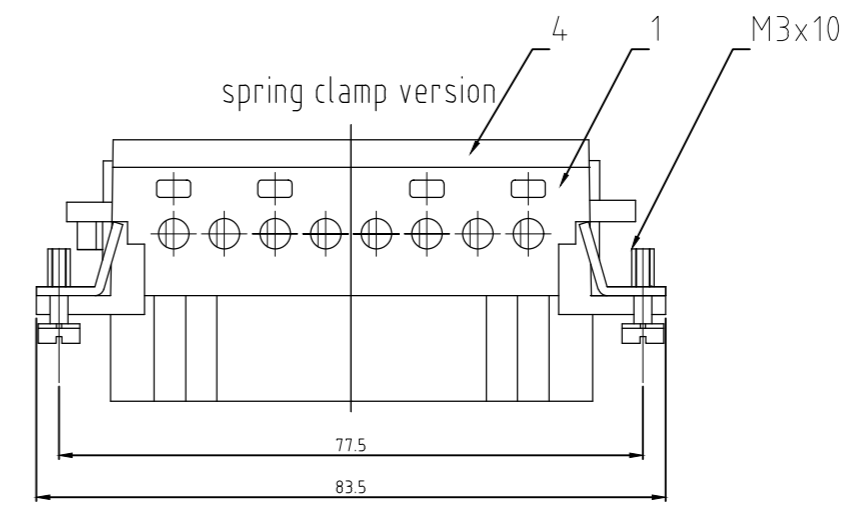
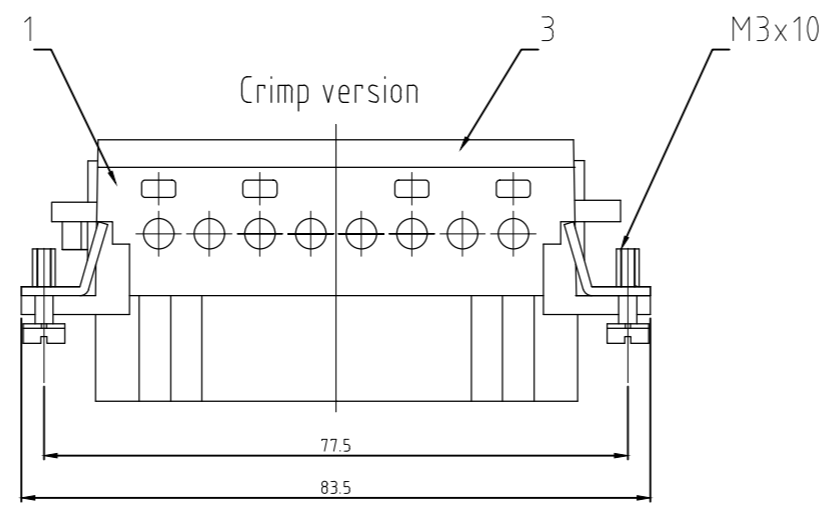
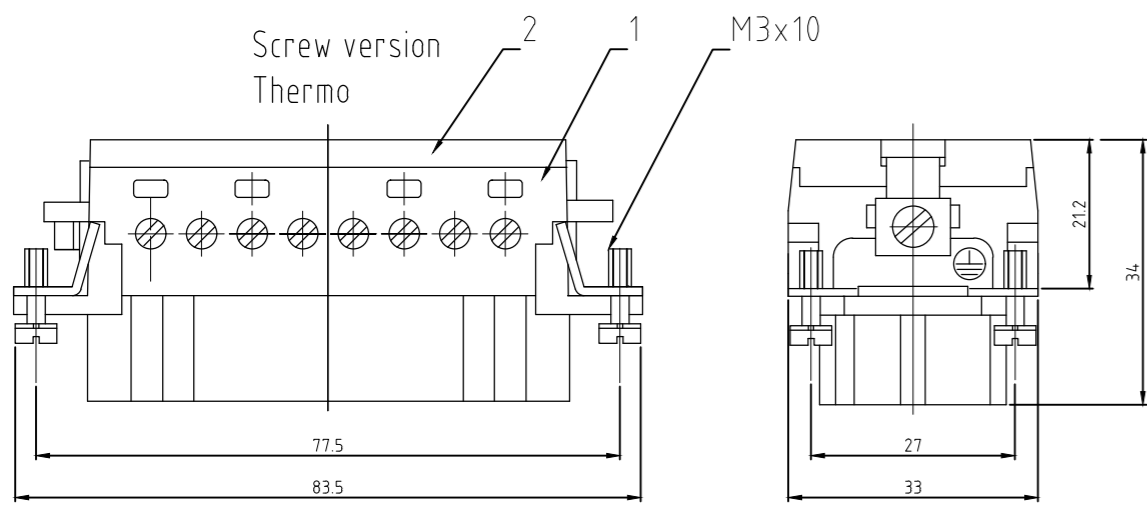
THIS DRAWING IS A CONTROLLED DOCUMENT. DIESE ZEICHNUNG IST EIN KONTROLLIERTES DOKUMENT.		DWN	08.02.2000	 TE Connectivity Female insert HE.16.BU.C/S
DIMENSIONS: MASSENHETEN mm		CHK	08.02.2000	
TOLERANCES UNLESS OTHERWISE SPECIFIED: ALLGEMEINTOLERANZEN		APVD	-	
MATERIAL		NAME	-	
FINISH / OBERFLAECHE / FARBE		PRODUCT SPEC	-	SIZE
ORDERING TEXT / BESTELLTEXT		APPLICATION SPEC	-	CAGE CODE
MATERIAL		VERARBEITUNGSSPEZ.	-	DRAWING NO
MATERIAL		WEIGHT	-	ZEICHNUNGS-NR.
MATERIAL		GEWICHT	-	SCALE
MATERIAL		CUSTOMER DRAWING / KUNDENZEICHNUNG	-	MASSSTAB
MATERIAL		SCALE	1:1	SHEET
MATERIAL		SHEET	1 von 1	REV
MATERIAL		REV	C12	

THIS DRAWING IS UNPUBLISHED.  
VERTRAULICHE UNVERÖFFENTLICHTE ZEICHNUNG

RELEASED FOR PUBLICATION  
FREI FUER VERÖFFENTLICHUNG  
ALL RIGHTS RESERVED.  
ALLE RECHTE VORBEHALTEN

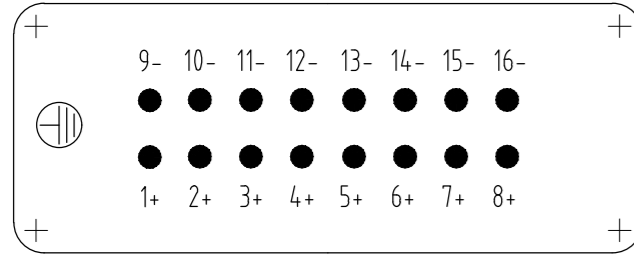
MATED WITH:  
PASSEND ZU:  
HE

REVISIONS		DESCRIPTION	DATE	DWN	APVD
ÄNDERUNGEN		BESCHREIBUNG			
P	LTR				
C10		ECR-17-000919	10AUG2017	RG	MKO

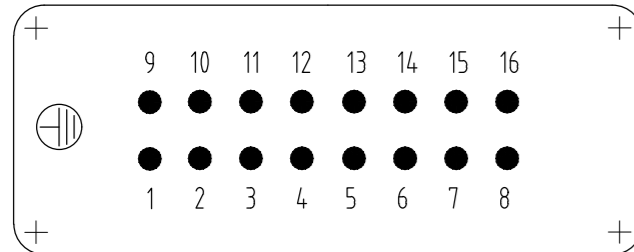


Contact arrangement view from termination side

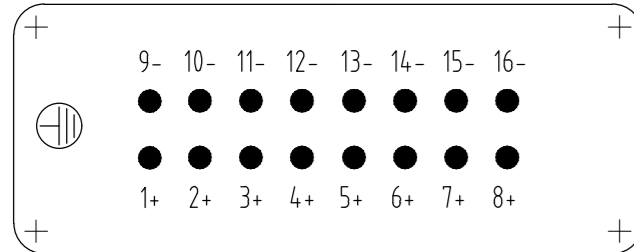
Printing 1-16 Thermo



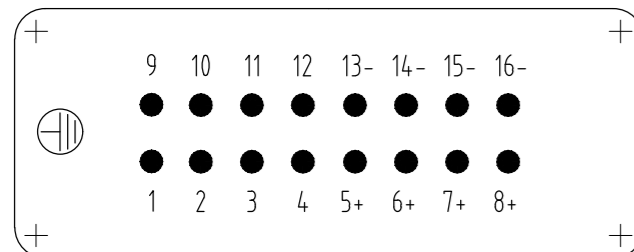
Printing 1-16 Screw



Printing 1-16 Thermo

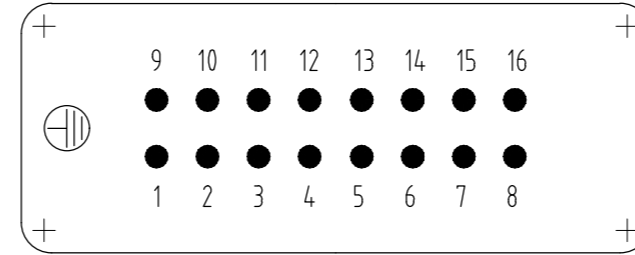


Printing 8+4+4 Screw/Thermo

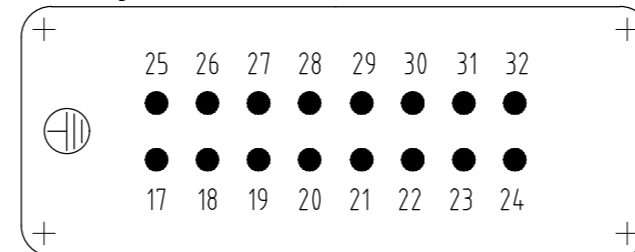


Contact arrangement view from termination side

Printing 1-16

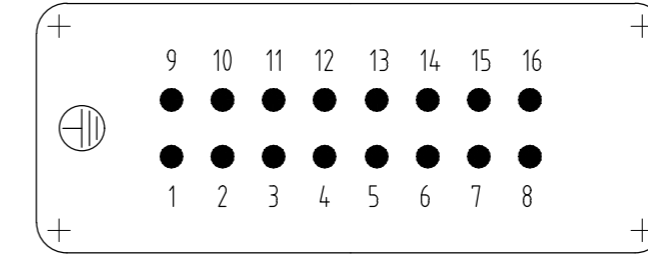


Printing 17-32

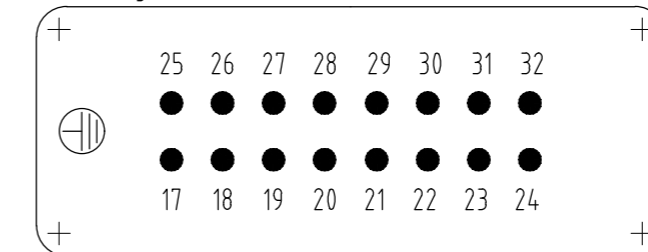


Contact arrangement view from termination side

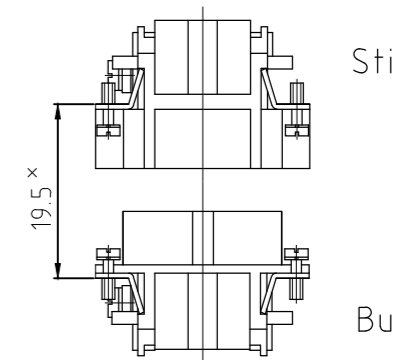
Printing 1-16



Printing 17-32



assembly directions

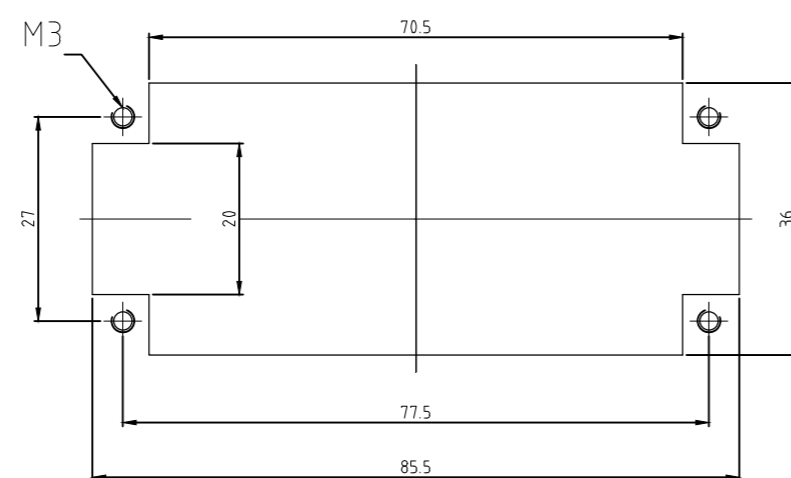


distance for a safe contact max: max: 21 mm

NOTES:

- SUITABLE CRIMP CONTACTS: SERIES HE/HA  
OUTER DIMENSIONS OF INSULATION: MAX. Ø3,2 mm
- SUITABLE HOOD SIZE 6; 10; SERIES HB; HD;HIP,EMV  
SUITABLE INSERTION AND EXTRACTION TOOL:  
SCREWDRIVER 0,5x3 DIN 5264
- Strip lenght: Screw conection 10mm  
Spring clamp conection 10mm Crimp conection 7.5mm
- STANDARDS:  
DIN EN 61984; DIN EN 60664-1
- PACKAGING:  
5 SETS IN A CARTON, PRE-MOUNTED
- SPECIAL PACKAGING: Krauss-Maffei  
PACKAGING UNIT: 200 PIECES

Panel cut-out for contact insert when used without housing



ORDERING TEXT / BESTELLTEXT	DESCRIPTION / BENENNUNG	MATERIAL	COLOR / FARBE	ITEM NO. POS.	REMARKS / BEMERKUNGEN
HE.16.Bu.S.B1-16-KM	Deckel Federklemmversion		lichtgrau	4	
HE.16.Bu.S.-T.B.8+4+4	Deckel Crimpversion		lichtgrau	3	
HE.16.Bu.S.B1-16-AU	Deckel Schraubversion		lichtgrau	2	
HE.16.Bu.S.C.B.17-32	Buchseinsatz		lichtgrau	1	
HE.16.Bu.S.C.B.1-16					
HE.16.Bu.C.B.1-16					
HE.16.Bu.S.B.17-32					
HE.16.Bu.S.T.B.1-16					
HE.16.Bu.S.B.1-16					

THIS DRAWING IS A CONTROLLED DOCUMENT. DIESE ZEICHNUNG IST EIN KONTROLLIERTES DOKUMENT.		DWN	08.02.2000		TE Connectivity
DIMENSIONS: MASSENHEITEN mm		CHK	08.02.2000		
TOLERANCES UNLESS OTHERWISE SPECIFIED: ALLGEMEINTOLERANZEN		APVD	-		
MATERIAL		PRODUCT SPEC		NAME	
FINISH / OBERFLAECHE / FARBE		APPLICATION SPEC.		Female insert HE.16.BU.C/S	
		WEIGHT		SIZE	CAGE CODE
		CUSTOMER DRAWING / KUNDENZEICHNUNG		A2	00779
		SCALE		DRAWING NO.	REVISIONS
		1:1		1103639	1
		SHEET		1	REV
		1		1	C10