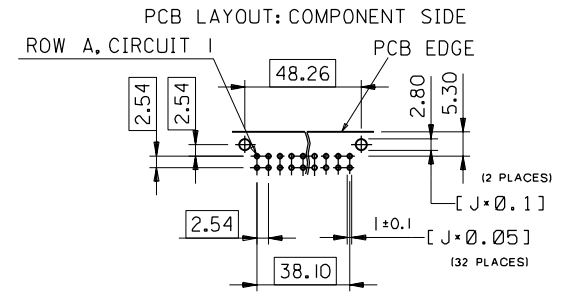
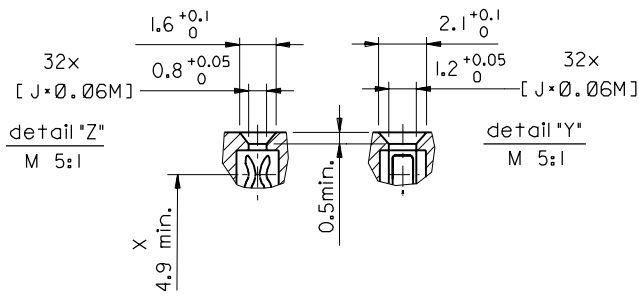
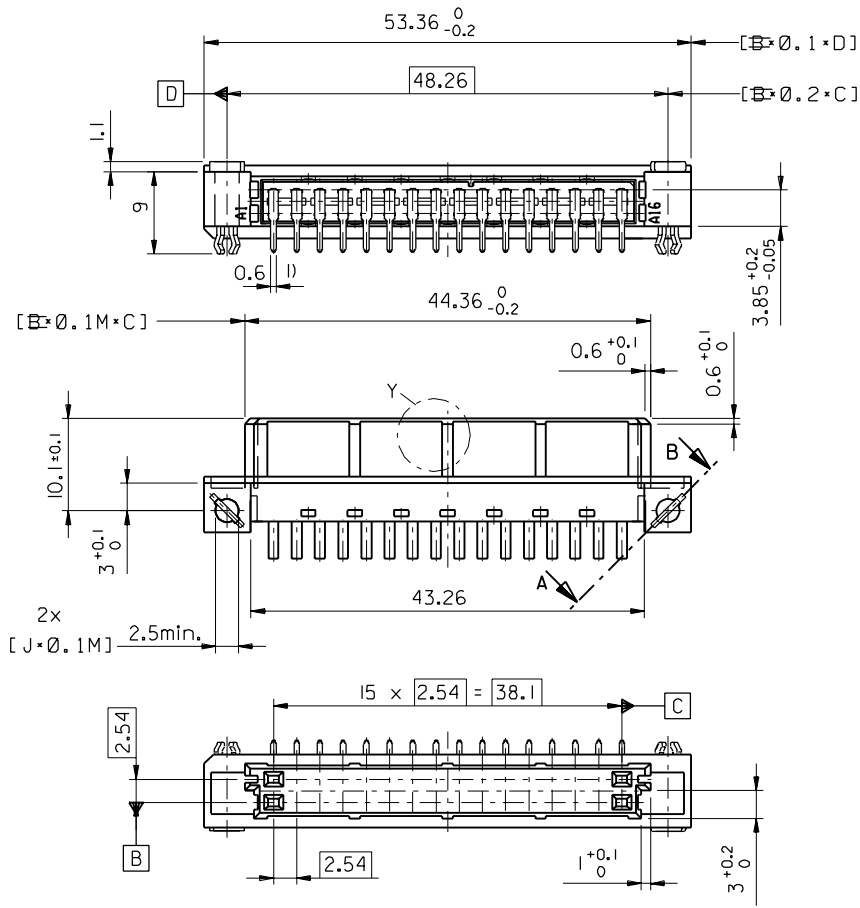
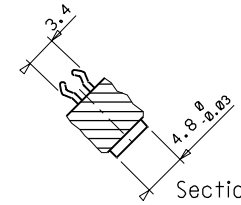
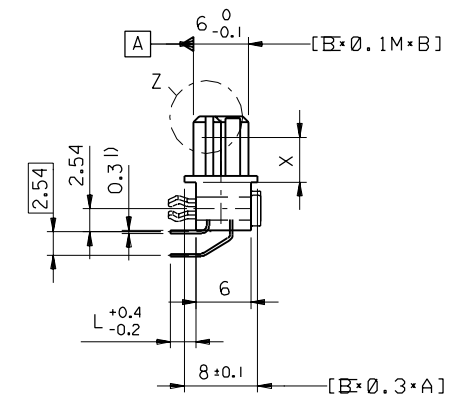




PART NO.  
DWG. NO.



1) tails to fit in PC-board layout



FIRST ANGLE PROJECTION

REVISE ONLY ON CAD SYSTEM

UNLESS OTHERWISE SPECIFIED TOLERANCES: ANGULAR ±2°	INCH	METRIC
	3 PLACE ±	±
	2 PLACE ±	±
	1 PLACE ±	±
DRAFT WHERE APPLICABLE MUST REMAIN WITHIN DIMENSIONS		
DESIGN DIMENSION	<input checked="" type="checkbox"/> MM	<input type="checkbox"/> IN.
EQUIVALENT DIMENSION	<input type="checkbox"/> MM	<input type="checkbox"/> IN.
IF TWO DIMENSIONS ARE SHOWN THE UPPER IS THE DESIGN DIMENSION, LOWER IS SECONDARY		

DRWG BY	KN	SIGN
CHK'D BY	Ca	SIGN
APP'D BY	JB	SIGN
SCALE	2:1	

CAD/CAM PROJECT NAME	85050000	THIS DRAWING CONTAINS INFORMATION THAT IS PROPRIETARY TO MOLEX INC. & SHOULD NOT BE USED WITHOUT WRITTEN PERMISSION	SH.	REV.
TITLE	32 pos. female connector DIN 41612 style Q/2+ clip Dimensions			
MOLEX MOLEX EUROPE		SHEET NO.	DATE	
PART NO.		1 OF 1	96/04/25	
DWG NO.		SDA-85050-0002		SIZE
				B

ECN MG1898-2586	REVISIONS
L +0.4-0.2, Lockbild 97-09-17 KN	
BI	LTR