



soberton inc.

# DYNAMIC SPEAKER UNIT

Acoustic Product Specification

Product Number: SP-5007Y



Release | Revision: A/2018

## CONTENTS

This document contains the technical specifications for the dynamic speaker.

### Page 1

Speaker Specification

### Page 2

Measuring Circuit

Typical Frequency Response Curve

### Page 3

Dimensions

## Speaker Specification

Item	Specification	Testing Condition
Dimensions	Ø50.0 x H7.0 mm	
Voice Coil Impedance	8Ω±15%	At 1.2KHz 1V
Resonant Frequency	580±20%Hz	At 1.0V
Output S.P.L.	87±2dB at 0.8, 1.0, 1.2, 1.5 KHz in average	At 0.5m /1.0W
Frequency Response	f0~10KHz	-10dB
Rated Input Power	2.0 W	
Max Input Power	3.0 W	
Operation	Must be normal	Program source 2.0 W
Noise	Must be normal	Sine wave 4.0 V
Heat Test	Meet items 8 & 9 after test	55±2°C 16 hours
Humidity Test	Meet items 8 & 9 after test	40±2°C 90~95%RH 48 hours
Load Test	Meet items 8 & 9 after test	2.0 W 100 hours
Magnet	Φ12.5 x 1.5mm NdFeB	
Net Weight	12.8g	
Polarity	When a positive DC current is applied to the terminal marked(+), the diaphragm moves forward.	



soberton inc.

# DYNAMIC SPEAKER UNIT

Acoustic Product Specification

Product Number: SP-5007Y



Release | Revision: A/2018

## CONTENTS

This document contains the technical specifications for the dynamic speaker.

### Page 1

Speaker Specification

### Page 2

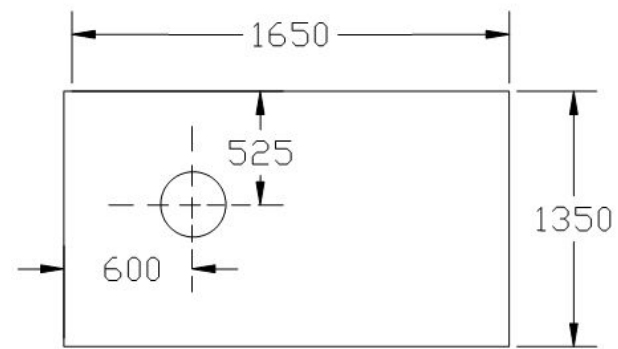
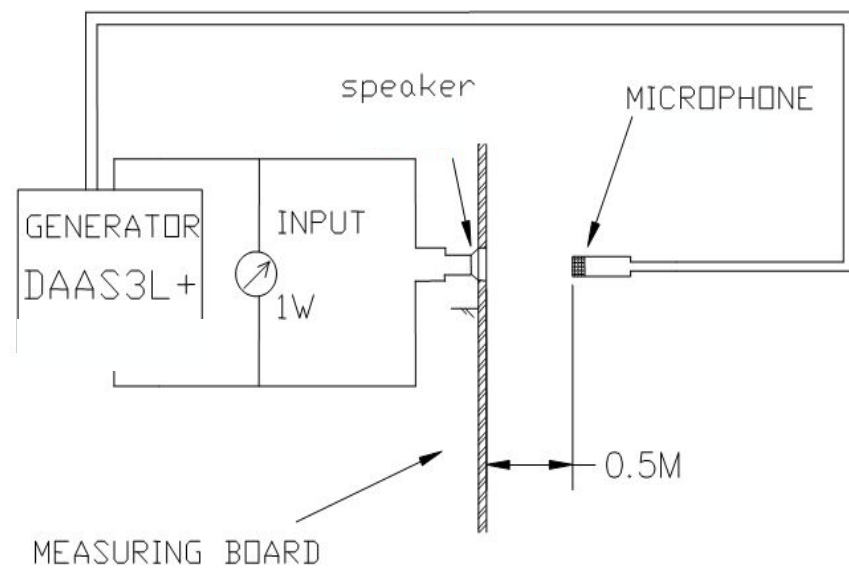
Measuring Circuit

Typical Frequency Response Curve

### Page 3

Dimensions

## Measuring Circuit



MEASUREMENT

## Typical Frequency Response Curve





soberton inc.

# DYNAMIC SPEAKER UNIT

Acoustic Product Specification

Product Number: SP-5007Y



Release | Revision: A/2018

## CONTENTS

This document contains the technical specifications for the dynamic speaker.

### Page 1

Speaker Specification

### Page 2

Measuring Circuit

Typical Frequency Response Curve

### Page 3

Dimensions

## Dimensions

Tolerance:  $\pm 0.2\text{mm}$

