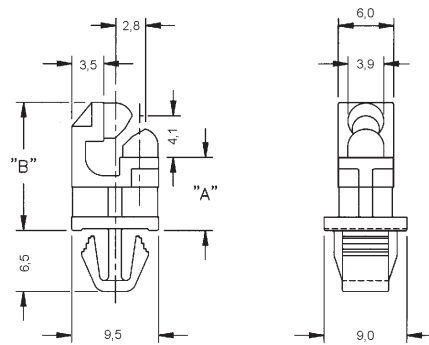


A

Part No.	"A" mm	"B" mm
HLCBSE-2-4M-01	4.0	10.0
HLCBSE-2-6M-01	6.0	12.0
HLCBSE-2-8M-01	8.0	14.0
HLCBSE-2-10M-01	10.0	16.0
HLCBSE-2-12M-01	12.0	18.0
HLCBSE-2-14M-01	14.0	20.0
HLCBSE-2-25M-01	25.0	31.0
HLCBSE-2-30M-01	30.0	36.0

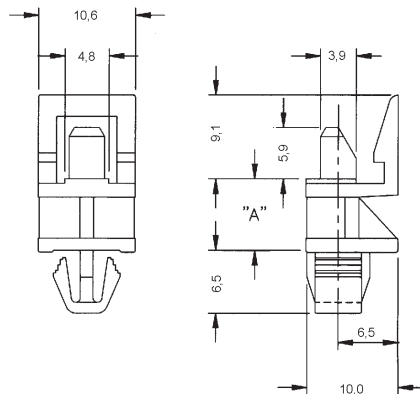
HLCBSE-2



HLCBSE-2/PCBEHE-2
 HINGED CIRCUIT BOARD SUPPORT SYSTEM

Part No.	"A" mm
PCBEHE-2-4M-01	4.0
PCBEHE-2-6M-01	6.0
PCBEHE-2-8M-01	8.0
PCBEHE-2-10M-01	10.0
PCBEHE-2-12M-01	12.0
PCBEHE-2-14M-01	14.0
PCBEHE-2-25M-01	25.0
PCBEHE-2-30M-01	30.0

PCBEHE-2



Note:

HLCBSE	2	10M	01
Part	Type	Length	Material Code

Material: Nylon 6/6 - natural; UL 94 V-2, RMS-01 by special order;
 Nylon 6/6 - natural; UL 94 V-0, RMS-19
 Std. Pk.: 1.000 pcs.

Note:

PCBEHE	2	10M	01
Part	Type	Length	Material Code