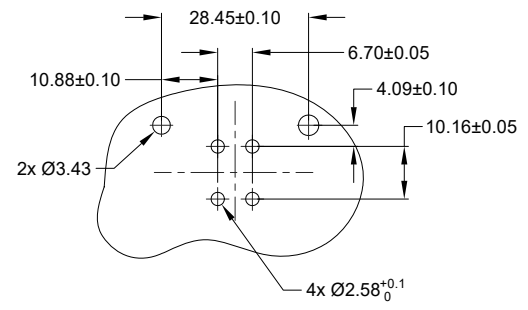
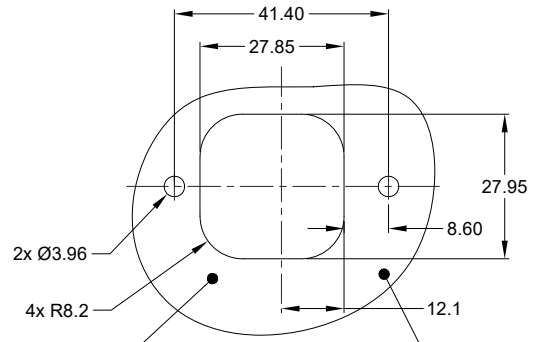
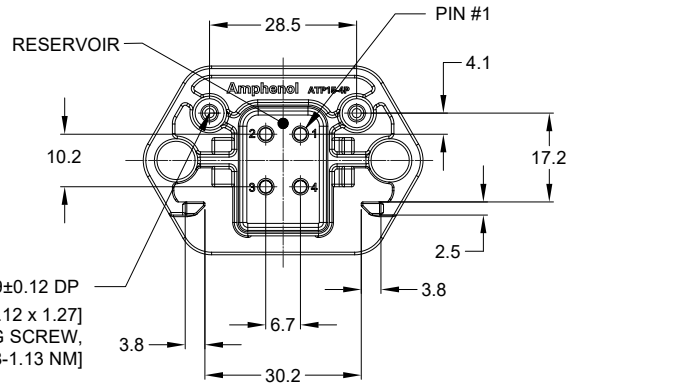
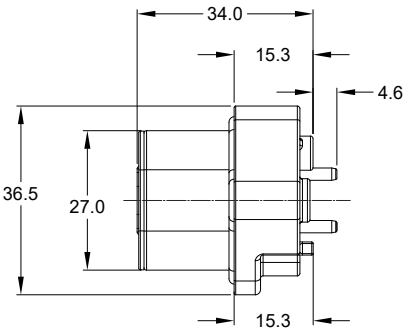
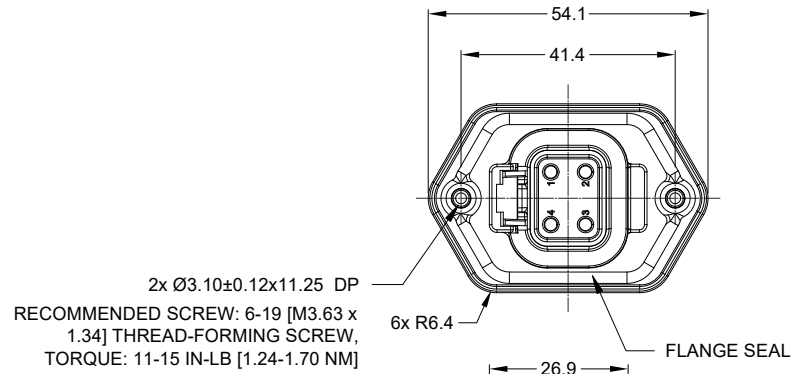


REVISIONS					
REV	ECO	DESCRIPTION	DATE	BY	APPR
A1	-	RELEASE	6JUN19	JAH	TOMMY
A2	-	REVISED DRAWING	10JUL20	JHEAD	DH
A3	-	ADD KEYED	13OCT22	VITO	TOMMY



NOTES: UNLESS OTHERWISE SPECIFIED

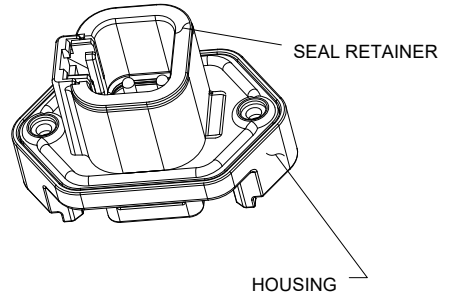
- MATERIAL:
HOUSING: THERMOPLASTIC; COLOR: SEE PART NUMBER CHART
SEAL RETAINER: THERMOPLASTIC; COLOR: SEE PART NUMBER CHART
SEAL: SILICONE RUBBER; COLOR: RED
CONTACT: COPPER ALLOY
- MODIFICATIONS: FLANGE; PCB MOUNT STRAIGHT
- SPECIFICATIONS:
 - CURRENT RATING: 25 AMPS
 - OPERATING TEMPERATURE: -55°C TO +125°C
 - DIELECTRIC WITHSTANDING VOLTAGE: LESS THAN 2 MILLIAMPS CURRENT LEAKAGE @ 1500 VOLTS AC.
 - INSULATION RESISTANCE: 1000 MEGOHMS MIN @ 25°C
 - MOISTURE RESISTANCE:
IP68(1M OF WATER FOR A PERIOD OF 24 HOURS, MATED CONDITION)
IP69K(MATED CONDITION)
 - MATING CYCLE DURABILITY: 100 CYCLES
 - RoHS COMPLIANT
- MATING PART: ATP06-4S* (* = ALL MODIFICATIONS) PLUGS WITH A,B,C,D KEY WEDGELOCK.
- ALL DIMENSIONS ARE FOR REFERENCE USE ONLY
- POTTED CONNECTORS SPECIFIED FOR UP TO 5 P.S.I. APPLICATIONS.

INTERNAL SEALING SURFACE
FINISH TO BE $\sqrt{0.13}$ OR BETTER

RECOMMENDED PANEL
CUTOUT

INTERNAL SEALING SURFACE
FINISH TO BE $\sqrt{0.13}$ OR BETTER

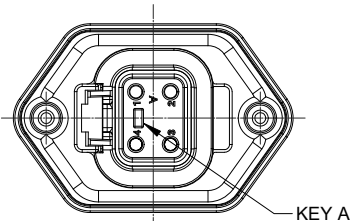
RECOMMENDED PCB LAYOUT
VIEW FROM COMPONENTS
SIDE OF PCB



SEE PART NUMBER CHART		DESCRIPTION		ITEM
QUANTITY	PART NUMBER			
MATERIALS LIST				
UNLESS OTHERWISE SPECIFIED 1) All dimensions are in metric (mm). 2) Tolerances are as follows: 1 PL DEC ±0.30 Fractions ±1/64 2 PL DEC ±0.15 Angles ±1° 3 PL DEC ±0.08 3) Note reference =		SIGNATURES DATE DRAWN: VITOLJ 13OCT22 CHECKED: SULLENZHANG 14OCT22 APPROVAL: TOMMY XIE 17OCT22		 Sine Systems - www.amphenol-sine.com 44724 Morley Drive Clinton Township, MI 48036
MATERIAL SPECIFICATIONS: PROCESS SPECIFICATIONS: NEXT ASSY:		CUSTOMER: THIS DRAWING IS SUPPLIED FOR INFORMATION ONLY. DESIGN FEATURES, SPECIFICATIONS AND PERFORMANCE DATA SHOWN HEREON ARE THE PROPERTY OF THE AMPHENOL CORPORATION. NO RIGHTS OF REPRODUCTION ARE IMPLIED. ALL DIMENSIONS ARE SUBJECT TO NORMAL MANUFACTURING VARIATIONS.		
BOARDLOCK PCB MOUNT RECEPTACLE, 4 PIN, ST FLANGE, KEYED, ATP SERIES		SIZE B C-	TYPE ATP15-4Px-BM0Xxxx	REVISION A3
SCALE: NONE		SHEET 1 OF 2		

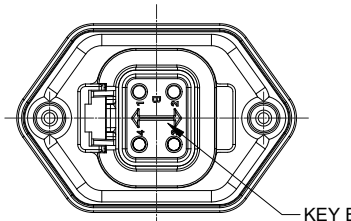
TITLE: BOARDLOCK PCB MOUNT RECEPTACLE 4 PIN ST FLANGE, KEYED, ATP SERIES
 DWG NO: ATP15-4Px-BM0Xxxx
 REV: A3
 SH: 1
 OF: 1

ATP15-4PA-BM0X VARIANTS					
CONTACT PLATING	POTTING OR NOT IN RESERVOIR	HOUSING COLOR	RETAINER COLOR	PART NUMBER	WEIGHT (GRAMS)
GOLD	NO POTTING	GRAY	BLACK	ATP15-4PA-BM01	32.6
GOLD	POTTING	GRAY	BLACK	ATP15-4PA-BM02	33.4
TIN	NO POTTING	GRAY	BLACK	ATP15-4PA-BM03	32.6
TIN	POTTING	GRAY	BLACK	ATP15-4PA-BM04	33.4



P/N ATP15-4PA-BM0X
KEY-A CONFIGURATION

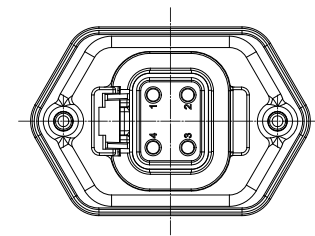
ATP15-4PB-BM0X VARIANTS					
CONTACT PLATING	POTTING OR NOT IN RESERVOIR	HOUSING COLOR	RETAINER COLOR	PART NUMBER	WEIGHT (GRAMS)
GOLD	NO POTTING	BLACK	BLACK	ATP15-4PB-BM01	32.7
GOLD	POTTING	BLACK	BLACK	ATP15-4PB-BM02	33.5
TIN	NO POTTING	BLACK	BLACK	ATP15-4PB-BM03	32.7
TIN	POTTING	BLACK	BLACK	ATP15-4PB-BM04	33.5



P/N ATP15-4PB-BM0X
KEY-B CONFIGURATION

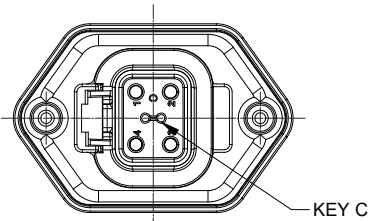
REVISIONS					
REV	ECO	DESCRIPTION	DATE	BY	APPR
A1	-	RELEASE	6JUN19	JAH	TOMMY
A2	-	REVISED DRAWING	10JUL20	JHEAD	DH
A3	-	ADD KEYED	13OCT22	VITO	TOMMY

ATP15-4P-BM0XXXX VARIANTS WEIGHT: 32.0g				
CONTACT PLATING	POTTING OR NOT IN RESERVOIR	HOUSING COLOR	RETAINER COLOR	PART NUMBER
GOLD	NO POTTING	GRAY	GRAY	ATP15-4P-BM01GRY
GOLD	POTTING	GRAY	GRAY	ATP15-4P-BM02GRY
TIN	NO POTTING	GRAY	GRAY	ATP15-4P-BM03GRY
TIN	POTTING	GRAY	GRAY	ATP15-4P-BM04GRY
GOLD	NO POTTING	BLACK	BLACK	ATP15-4P-BM01BLK
GOLD	POTTING	BLACK	BLACK	ATP15-4P-BM02BLK
TIN	NO POTTING	BLACK	BLACK	ATP15-4P-BM03BLK
TIN	POTTING	BLACK	BLACK	ATP15-4P-BM04BLK



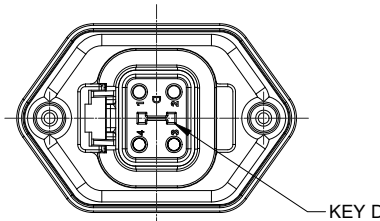
P/N ATP15-4P-BM0XXXX
NO KEYS CONFIGURATION

ATP15-4PC-BM0X VARIANTS					
CONTACT PLATING	POTTING OR NOT IN RESERVOIR	HOUSING COLOR	RETAINER COLOR	PART NUMBER	WEIGHT (GRAMS)
GOLD	NO POTTING	GREEN	BLACK	ATP15-4PC-BM01	32.6
GOLD	POTTING	GREEN	BLACK	ATP15-4PC-BM02	33.4
TIN	NO POTTING	GREEN	BLACK	ATP15-4PC-BM03	32.6
TIN	POTTING	GREEN	BLACK	ATP15-4PC-BM04	33.4



P/N ATP15-4PC-BM0X
KEY-C CONFIGURATION

ATP15-4PD-BM0X VARIANTS					
CONTACT PLATING	POTTING OR NOT IN RESERVOIR	HOUSING COLOR	RETAINER COLOR	PART NUMBER	WEIGHT (GRAMS)
GOLD	NO POTTING	BROWN	BLACK	ATP15-4PD-BM01	32.7
GOLD	POTTING	BROWN	BLACK	ATP15-4PD-BM02	33.5
TIN	NO POTTING	BROWN	BLACK	ATP15-4PD-BM03	32.7
TIN	POTTING	BROWN	BLACK	ATP15-4PD-BM04	33.5



P/N ATP15-4PD-BM0X
KEY-D CONFIGURATION

SEE PART NUMBER CHART		DESCRIPTION		ITEM
QUANTITY	PART NUMBER	MATERIALS LIST		
UNLESS OTHERWISE SPECIFIED		SIGNATURES		DATE
1) All dimensions are in metric (mm).		DRAWN: VITOLJ		13OCT22
2) Tolerances are as follows:		CHECKED: SULLENZHANG		14OCT22
1 PL DEC ±0.30 Fractions ±1/64		ENGINEER:		
2 PL DEC ±0.15		APPROVAL: TOMMY XIE		17OCT22
3 PL DEC ±0.08		CUSTOMER:		
3) Note reference =		THIS DRAWING IS SUPPLIED FOR INFORMATION ONLY. DESIGN FEATURES, SPECIFICATIONS AND PERFORMANCE DATA SHOWN HEREON ARE THE PROPERTY OF THE AMPHENOL CORPORATION. NO RIGHTS OF REPRODUCTION ARE IMPLIED. ALL DIMENSIONS ARE SUBJECT TO NORMAL MANUFACTURING VARIATIONS.		
MATERIAL SPECIFICATIONS:		CUSTOMER:		
PROCESS SPECIFICATIONS:		SCALE: NONE		
NEXT ASSY:		SIZE B C-		TYPE
		DWG NO. ATP15-4P-X-BM0XXXX		REVISION A3
		SHEET 2 OF 2		

TITLE: BOARDLOCK PCB MOUNT RECEPTACLE 4 PIN, ST FLANGE, KEYED, ATP SERIES

DWG NO:

ATP15-4P-X-BM0XXXX

REV: A3

SH: 1

OF: 1